



MICRO SWITCH
 FREEPORT ILLINOIS
 A DIVISION OF HONEYWELL
 FED. MFG. CODE 91929

SWITCH - BASIC

CATALOG LISTING

YZ - 2R

AWF2000

FAA-PMA

YZ - 2R

PAGE 1 OF 1

M

DRAWING NUMBER

ISSUE 12

15

REPLACES

RELEASE NO.

13MAY08

ASD

CHECK

21MAR06

AS

CHECK

0039796

26 MAR 63

L S D

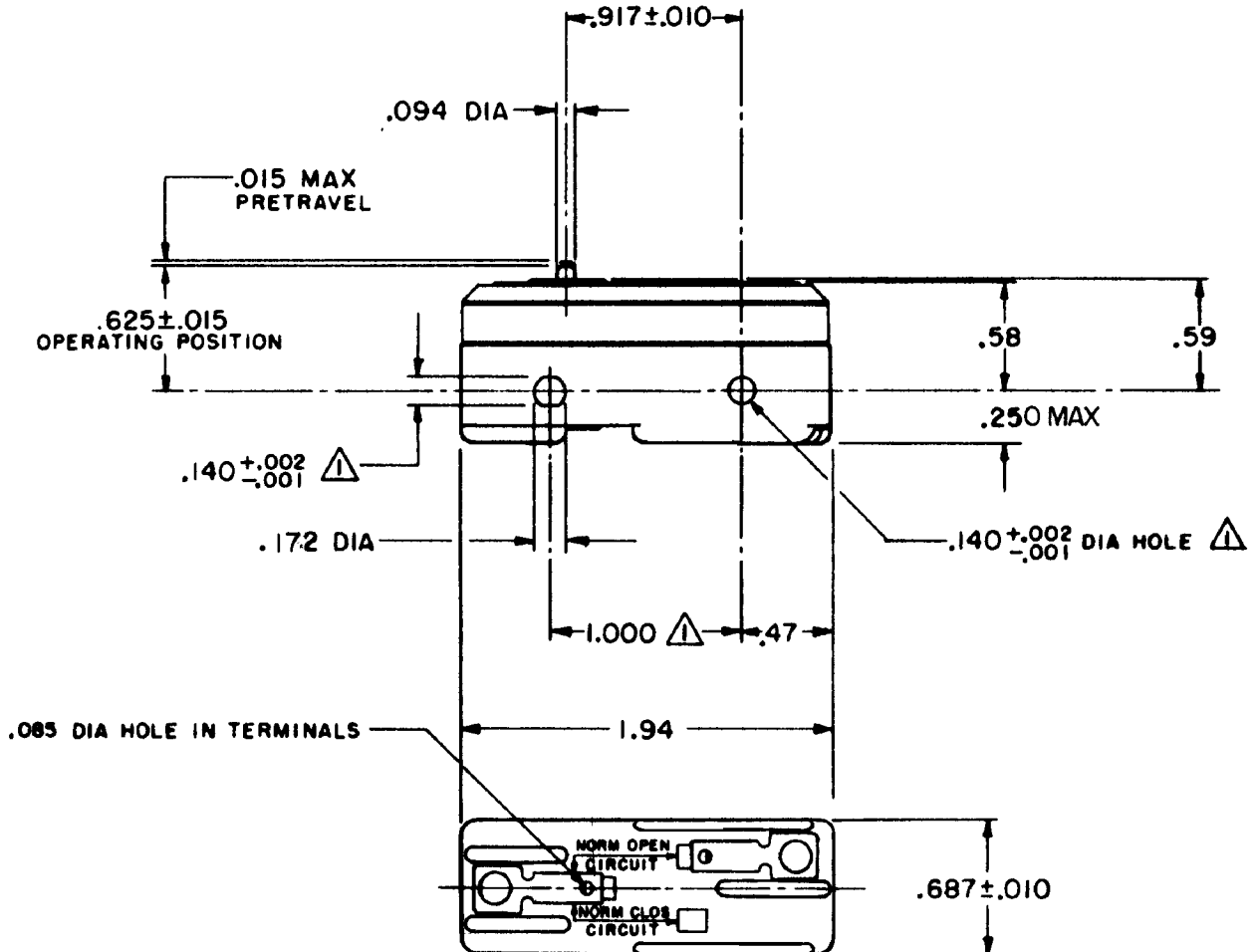
CHECK

22 MAR 63

G C H

DRAWN

FO-50378 RASTER



NOTE
 ▲ MOUNTING HOLES WILL ACCEPT PINS OR SCREWS OF .139 MAX DIA ON 1.000±.002 CENTERS

THIS DRAWING COVERS A PROPRIETARY ITEM AND IS THE PROPERTY OF MICRO SWITCH, A DIVISION OF MINNEAPOLIS-HONEYWELL REGULATOR CO. THIS DRAWING IS NOT TO BE COPIED OR USED WITHOUT THE APPROVAL OF MICRO SWITCH.

CHARACTERISTICS	
OPERATING FORCE	----- 9-13 OZ
RELEASE FORCE	----- 4 OZ MIN
DIFFERENTIAL TRAVEL	---- .0004-.0020
OVERTRAVEL	----- .005 MIN

ELECTRICAL DATA	
CONTACT ARRANGEMENT S P N O	
-L96-	15 A-125, 250, OR 480 VAC 1/2 A-125 VDC; 1/4 A-250 VDC 1/8 HP-125 VAC, 1/4 HP-250 VAC
-L288-	
-L306-	
-L315-	
16A 250V ~ T85 5E4	

SCALE -	
DO NOT SCALE PRINT	
UNLESS OTHERWISE SPECIFIED DIMENSIONS ARE IN INCHES	
TOLERANCES ARE:	
ONE PLACE (.0)	±.030
TWO PLACE (.00)	±.015
THREE PLACE (.000)	±.005
ANGLES	± -
WEIGHT .050 LB	