

# Type BLC-09-GTA Fuse Block with Cover ANE / ANF Limiter Fuses



www.optifuse.com

(619) 593-5050

## Specifications:

**Voltage Rating:** 125 VAC, 80 VDC

**Max Current Rating:** 500A

**Fuse Type:** ANE / ANF Limiter Fuse

**Insulation Resistance @ 500V DC:** 100MΩ

Min. **Base:** Polyester Impact/Electrical - Black  
with Mineral and Glass Fiber Added.

ULR Certification number E40654

**Terminals:** Low Carbon Steel, Zinc Finish

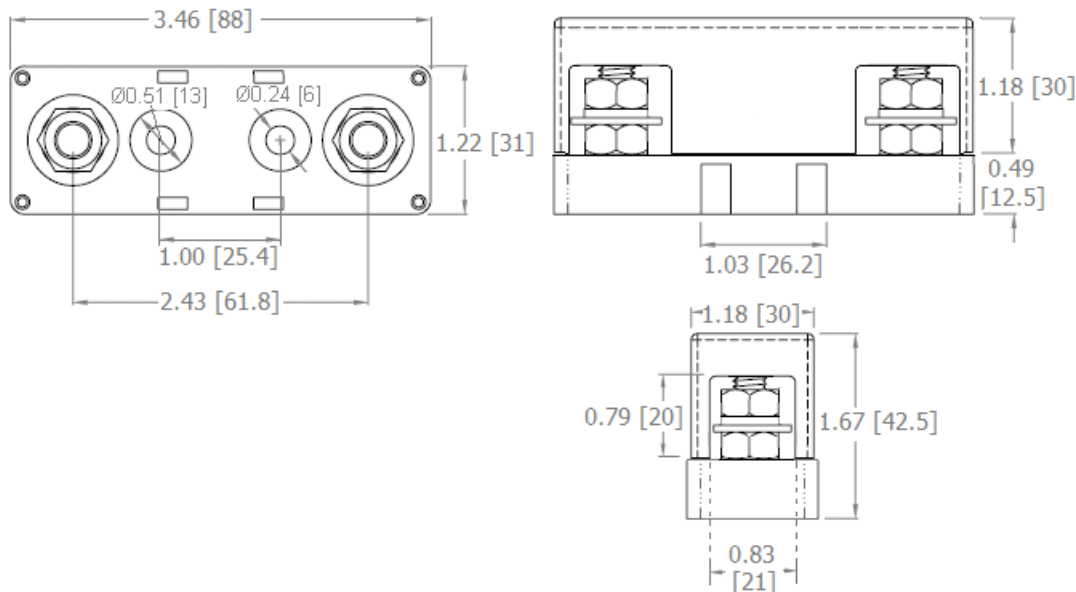
**Cover:** Polycarbonate UL 94V0



**For Block alone:** See BLC-09-GT

**For Cover alone:** See BLC-09-GTC

## Mechanical Dimensions: Inches [mm]



### Warning:



-Operation beyond the specified maximum ratings or improper use may result in damage and possible electrical arcing and/or flame.

-Avoid contact of device with chemical solvent. Prolonged contact may damage the device performance.