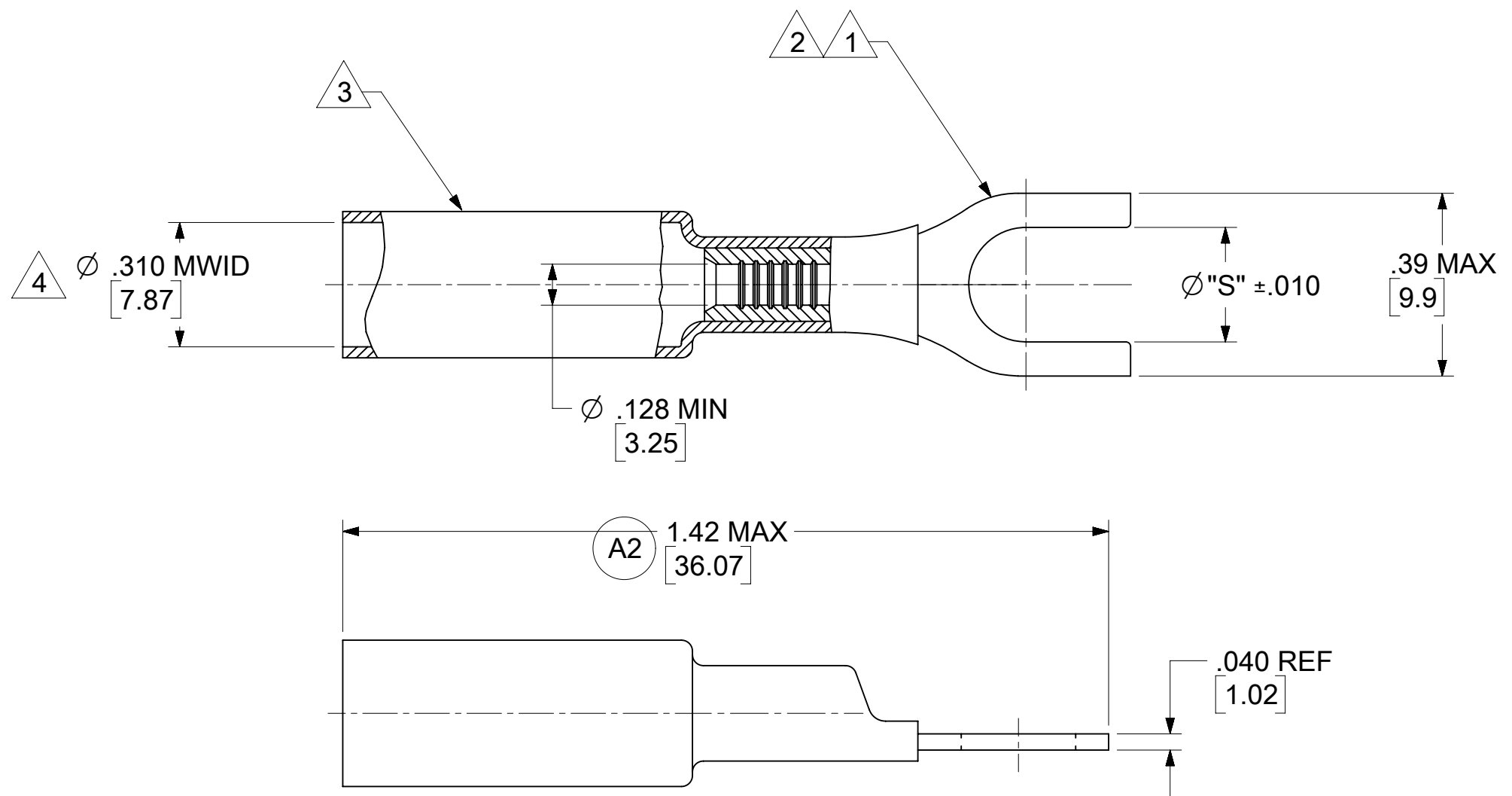


| MAT'L NO. | ENG NO.   | STUD SIZE | "S" SLOT<br>±.010 (0.25) |
|-----------|-----------|-----------|--------------------------|
| 191640069 | SC-241-06 | #6        | .146 (3.71)              |
| 191640070 | SC-241-08 | #8        | .173 (4.39)              |
| 191640071 | SC-241-10 | #10       | .198 (5.03)              |



NOTE(S):

- 1 TERMINAL MATERIAL: COPPER ALLOY
- 2 FINISH: ELCTRO TIN PLATE
- 3 INSULATION MATERIAL: HEAT SHRINKABLE TUBING WITH HOTMELT ADHESIVE INNER LINER.  
COLOR: YELLOW
- 4 MWID = MAXIMUM WIRE INSULATION DIAMETER.
- 5. PARTS ARE RoHS COMPLIANT.

|   |                 |       |  |         |        |                 |                |                 |          |                                       |  |  |  |    |      |          |   |   |          |   |   |          |   |   |         |   |   |          |   |   |                 |  |  |
|---|-----------------|-------|--|---------|--------|-----------------|----------------|-----------------|----------|---------------------------------------|--|--|--|----|------|----------|---|---|----------|---|---|----------|---|---|---------|---|---|----------|---|---|-----------------|--|--|
| THIS DRAWING CONTAINS INFORMATION THAT IS PROPRIETARY TO MOLEX ELECTRONIC TECHNOLOGIES, LLC AND SHOULD NOT BE USED WITHOUT WRITTEN PERMISSION |                 |       |  |         |        |                 |                |                 |          |                                       |  |  |  |    |      |          |   |   |          |   |   |          |   |   |         |   |   |          |   |   |                 |  |  |
| FUNCTIONAL SYMBOLS  | DIMENSION UNITS | SCALE | CURRENT REV DESC: OAL DIM: 1.42 WAS 1.39   |         |        |                 |                |                 |          |                                       |  |  |  |    |      |          |   |   |          |   |   |          |   |   |         |   |   |          |   |   |                 |  |  |
| $\frac{E}{A} = 0$   | INCH/MM         | NTS   | <table border="1"> <tr> <td colspan="3">GENERAL TOLERANCES (UNLESS SPECIFIED)</td> </tr> <tr> <td></td> <td>MM</td> <td>INCH</td> </tr> <tr> <td>4 PLACES</td> <td>±</td> <td>±</td> </tr> <tr> <td>3 PLACES</td> <td>±</td> <td>±</td> </tr> <tr> <td>2 PLACES</td> <td>±</td> <td>±</td> </tr> <tr> <td>1 PLACE</td> <td>±</td> <td>±</td> </tr> <tr> <td>0 PLACES</td> <td>±</td> <td>±</td> </tr> <tr> <td colspan="3">ANGULAR TOL ± °</td> </tr> </table> |         |        |                 |                |                 |          | GENERAL TOLERANCES (UNLESS SPECIFIED) |  |  |  | MM | INCH | 4 PLACES | ± | ± | 3 PLACES | ± | ± | 2 PLACES | ± | ± | 1 PLACE | ± | ± | 0 PLACES | ± | ± | ANGULAR TOL ± ° |  |  |
| GENERAL TOLERANCES (UNLESS SPECIFIED)   |                 |       |  |         |        |                 |                |                 |          |                                       |  |  |  |    |      |          |   |   |          |   |   |          |   |   |         |   |   |          |   |   |                 |  |  |
|   | MM              | INCH  |  |         |        |                 |                |                 |          |                                       |  |  |  |    |      |          |   |   |          |   |   |          |   |   |         |   |   |          |   |   |                 |  |  |
| 4 PLACES  | ±               | ±     |  |         |        |                 |                |                 |          |                                       |  |  |  |    |      |          |   |   |          |   |   |          |   |   |         |   |   |          |   |   |                 |  |  |
| 3 PLACES  | ±               | ±     |  |         |        |                 |                |                 |          |                                       |  |  |  |    |      |          |   |   |          |   |   |          |   |   |         |   |   |          |   |   |                 |  |  |
| 2 PLACES  | ±               | ±     |  |         |        |                 |                |                 |          |                                       |  |  |  |    |      |          |   |   |          |   |   |          |   |   |         |   |   |          |   |   |                 |  |  |
| 1 PLACE   | ±               | ±     |  |         |        |                 |                |                 |          |                                       |  |  |  |    |      |          |   |   |          |   |   |          |   |   |         |   |   |          |   |   |                 |  |  |
| 0 PLACES  | ±               | ±     |  |         |        |                 |                |                 |          |                                       |  |  |  |    |      |          |   |   |          |   |   |          |   |   |         |   |   |          |   |   |                 |  |  |
| ANGULAR TOL ± °   |                 |       |  |         |        |                 |                |                 |          |                                       |  |  |  |    |      |          |   |   |          |   |   |          |   |   |         |   |   |          |   |   |                 |  |  |
| DIVISIONAL SYMBOLS  |                 |       |  |         |        |                 |                |                 |          |                                       |  |  |  |    |      |          |   |   |          |   |   |          |   |   |         |   |   |          |   |   |                 |  |  |
| $\frac{E}{E} = 0$   |                 |       |  |         |        |                 |                |                 |          |                                       |  |  |  |    |      |          |   |   |          |   |   |          |   |   |         |   |   |          |   |   |                 |  |  |
| $\frac{E}{P} = 0$   |                 |       |  |         |        |                 |                |                 |          |                                       |  |  |  |    |      |          |   |   |          |   |   |          |   |   |         |   |   |          |   |   |                 |  |  |
| DRAFT WHERE APPLICABLE MUST REMAIN WITHIN DIMENSIONS  |                 |       | THIRD ANGLE PROJECTION   | DRAWING | SERIES | MATERIAL NUMBER | CUSTOMER       | DOCUMENT NUMBER | DOC TYPE |                                       |  |  |  |    |      |          |   |   |          |   |   |          |   |   |         |   |   |          |   |   |                 |  |  |
|   |                 |       |  | B-SIZE  | 19164  |                 | GENERAL MARKET | SD-19164-048    | PSD      |                                       |  |  |  |    |      |          |   |   |          |   |   |          |   |   |         |   |   |          |   |   |                 |  |  |
|   |                 |       |  |         |        |                 |                | DOC PART        | REVISION |                                       |  |  |  |    |      |          |   |   |          |   |   |          |   |   |         |   |   |          |   |   |                 |  |  |
|   |                 |       |  |         |        |                 |                | 001             | A2       |                                       |  |  |  |    |      |          |   |   |          |   |   |          |   |   |         |   |   |          |   |   |                 |  |  |
|   |                 |       |  |         |        |                 |                | SHEET NUMBER    |          |                                       |  |  |  |    |      |          |   |   |          |   |   |          |   |   |         |   |   |          |   |   |                 |  |  |
|   |                 |       |  |         |        |                 |                | 1 OF 1          |          |                                       |  |  |  |    |      |          |   |   |          |   |   |          |   |   |         |   |   |          |   |   |                 |  |  |