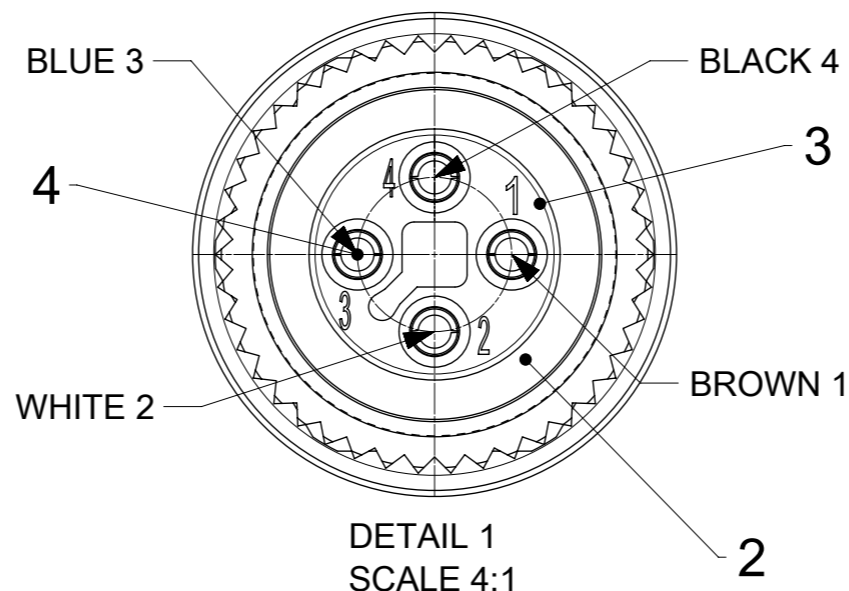


POS	DESCRIPTION	MATERIAL	FINISH
1	NUT M12 FE	BRASS	Ni
2	GASKET	FPM	-
3	INSERT M12 FE	PA	BLACK
4	CONTACT 15 FE	BRASS	Au
5	OVERMOLD	TPE	BLACK
6	CABLE 4x1.5 D7.8	TPU	BLACK
7	I/D CARRIER	-	-

CONNECTOR PIN ASSIGNMENT
MATING SIDE



TECHNICAL DATA:

CONTACT ϕ : 1.5mm
 RATED VOLTAGE: 63V DC
 RATED CURRENT: 12A (40°)
 OVERVOLTAGE CATEGORIE: 3
 POLLUTION DEGREE: 3
 DIELECTRIC STRENGTH: 1500V
 CONTACT RESITANCE: $\leq 5m\Omega$
 INSULATION RESISTANCE: MIN: $10^8\Omega$

IP RATING: IP67 (connected condition)
 TEMPERATURE RANGE FIXED: -40°C TO +90°C

PACKAGING:
 THE CORDSETS ARE PACKED IN PLASTIC BAGS
 AND DELIVERED IN CARTON BOXES

TABLE 1: Cable Length

MATERIAL NO.	ENGINEERING NO.	L [mm]	TOLERANCE [mm]
1205000091	T0P4000B43M200	20000	± 50

THIS DRAWING CONTAINS INFORMATION THAT IS PROPRIETARY TO MOLEX ELECTRONIC TECHNOLOGIES, LLC AND SHOULD NOT BE USED WITHOUT WRITTEN PERMISSION										
DIMENSION UNITS	SCALE	CURRENT REV DESC: REMOVED OBSOLETE PART NUMBER AS PER PCN#510806.								
mm	2:1									
GENERAL TOLERANCES (UNLESS SPECIFIED)										
ANGULAR TOL	$\pm 1.0^\circ$	CSE M12 4P TC FE STR WSOR XM SE UNSH								
4 PLACES	\pm									
3 PLACES	\pm	PRODUCT CUSTOMER DRAWING								
2 PLACES	± 0.05									
1 PLACE	± 0.3	EC NO: 733771 DRWN: LIKITV 2023/01/04 CHK'D: GGA 2023/02/24 APPR: GGA 2023/02/24								
0 PLACES	± 0.5									
DRAFT WHERE APPLICABLE MUST REMAIN WITHIN DIMENSIONS		THIRD ANGLE PROJECTION	DRAWING	SERIES	MATERIAL NUMBER	CUSTOMER	DOCUMENT NUMBER	DOC TYPE	DOC PART	REVISION
			A3-SIZE	120500	SEE TABLE 1	GENERAL MARKET	1205000021	PSD	000	A6
										SHEET NUMBER
										1 OF 1