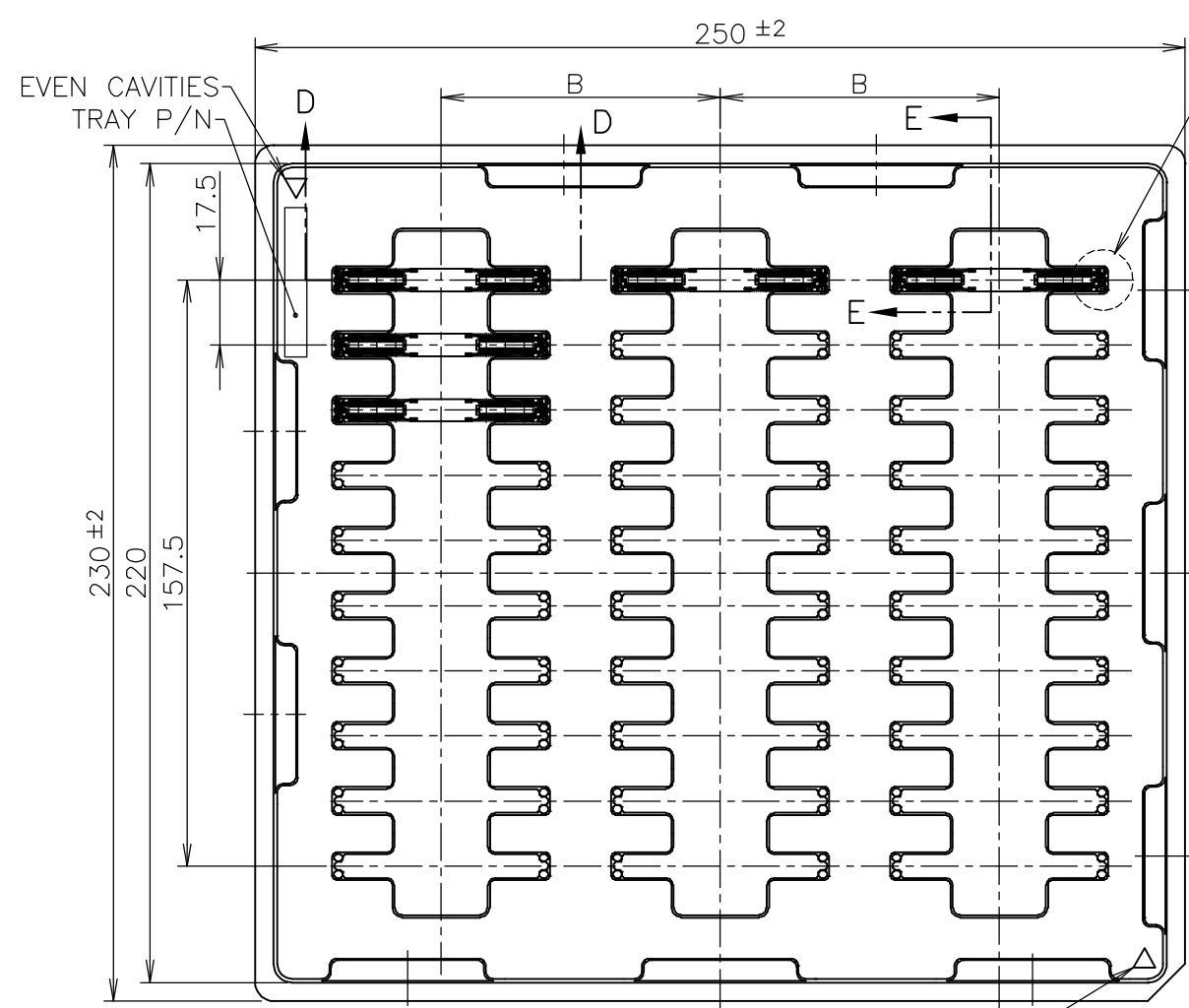
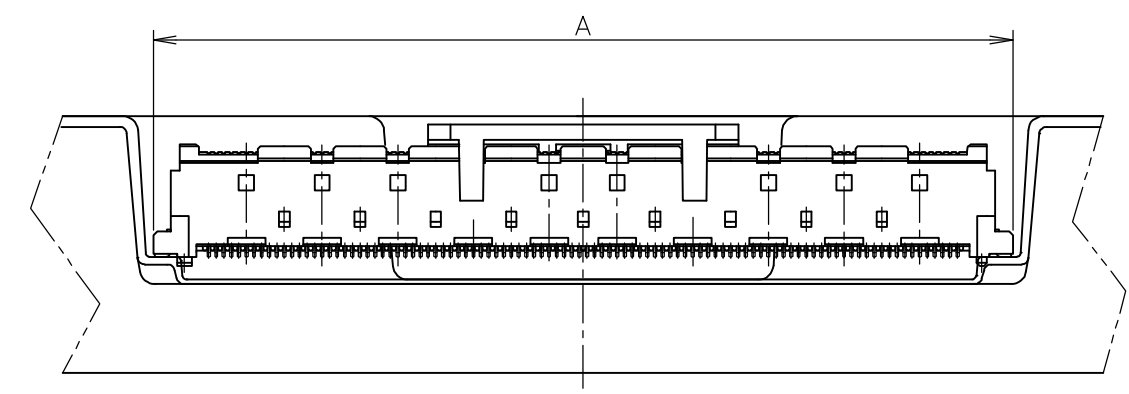


THIS DRAWING IS UNPUBLISHED. RELEASED FOR PUBLICATION OCT, 2006.
 © COPYRIGHT 2006 BY TYCO ELECTRONICS CORPORATION. ALL RIGHTS RESERVED.

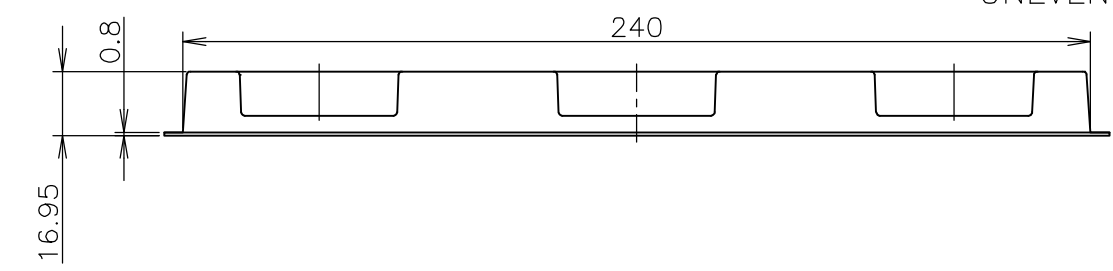
| LOC | DIST | REVISIONS | | | DATE | DWN | APVD |
|-----|------|-----------|-----|-------------|---------|-----|------|
| J | / | P | LTR | DESCRIPTION | | | |
| | | | A1 | REVISED | 07MAR07 | Y.H | Y.Y |



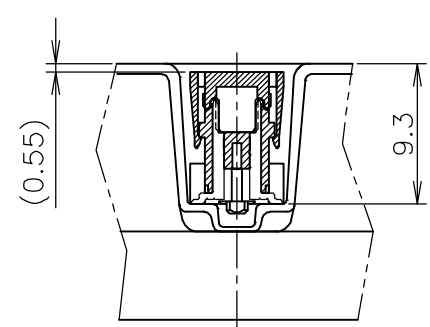
SEE
DETAIL C



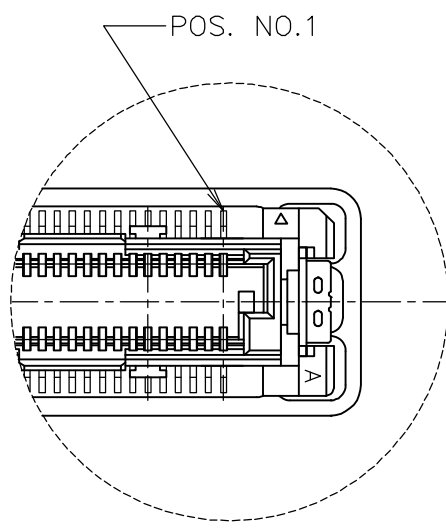
D-D
(SCALE 2:1)



UNEVEN CAVITIES



E-E
(SCALE 2:1)



DETAIL C
(SCALE 4:1)

| | | | | | | | | |
|-----------|---------------|-----|-----|----|------|------|----------|-------------|
| NON SIF | BLACK | Y | 3 | 30 | 75 | 56.8 | 200 | 4-1981052-5 |
| | | N | ↑ | ↑ | ↑ | 66.8 | 240 | |
| | | N | | | ↓ | 61.8 | 220 | |
| | NATURAL | Y | | | 75 | 56.8 | 200 | 3-1981052-5 |
| | | N | | | 70 | 51.8 | 180 | |
| | | | | | ↑ | 49.3 | 170 | |
| | | | | | | 46.8 | 160 | |
| | | | | | | 44.3 | 150 | |
| | | | | | | 41.8 | 140 | |
| | | | 3 | 30 | 70 | 36.8 | 120 | |
| | | | 5 | 50 | 43 | 31.8 | 100 | |
| | | | ↑ | ↑ | ↑ | 29.3 | 90 | |
| | | | | | | 26.8 | 80 | |
| | | | | | | 24.3 | 70 | |
| | | | | | | 21.8 | 60 | |
| | | | | | | 19.3 | 50 | |
| | | | | | 16.8 | 40 | | |
| | N | 5 | 50 | 43 | 14.3 | 30 | | |
| CAP COLOR | TOOLING AVAIL | ROW | QTY | B | A | POS. | PART NO. | |

THIS DRAWING IS A CONTROLLED DOCUMENT.

| | | | |
|---------------------------------|----------------------------------|---|---------------------|
| DWN V.TAN 23OCT2006 | | Tyco Electronics AMP K.K. Kawasaki, Japan | |
| CHK Y.NAKAZAWA 23OCT2006 | | NAME Y.YAMAMOTO | |
| APVD Y.YAMAMOTO 23OCT2006 | PRODUCT SPEC 製品規格 108-5560 | SEMI HARD TRAY ASSY FH 0.5BTB CONNECTOR PLUG 8H WITHOUT G-PLATE, ON CAP | |
| MATERIAL 材料 | FINISH 仕上 | SIZE A3 | CAGE CODE 00779 |
| | | DRAWING NO 番号 C-1981052 | RESTRICTED TO 番号 |
| | | CUSTOMER DRAWING | SCALE 尺度 1:2 |
| | | SHEET 1 OF 5 | REV A1 |

4

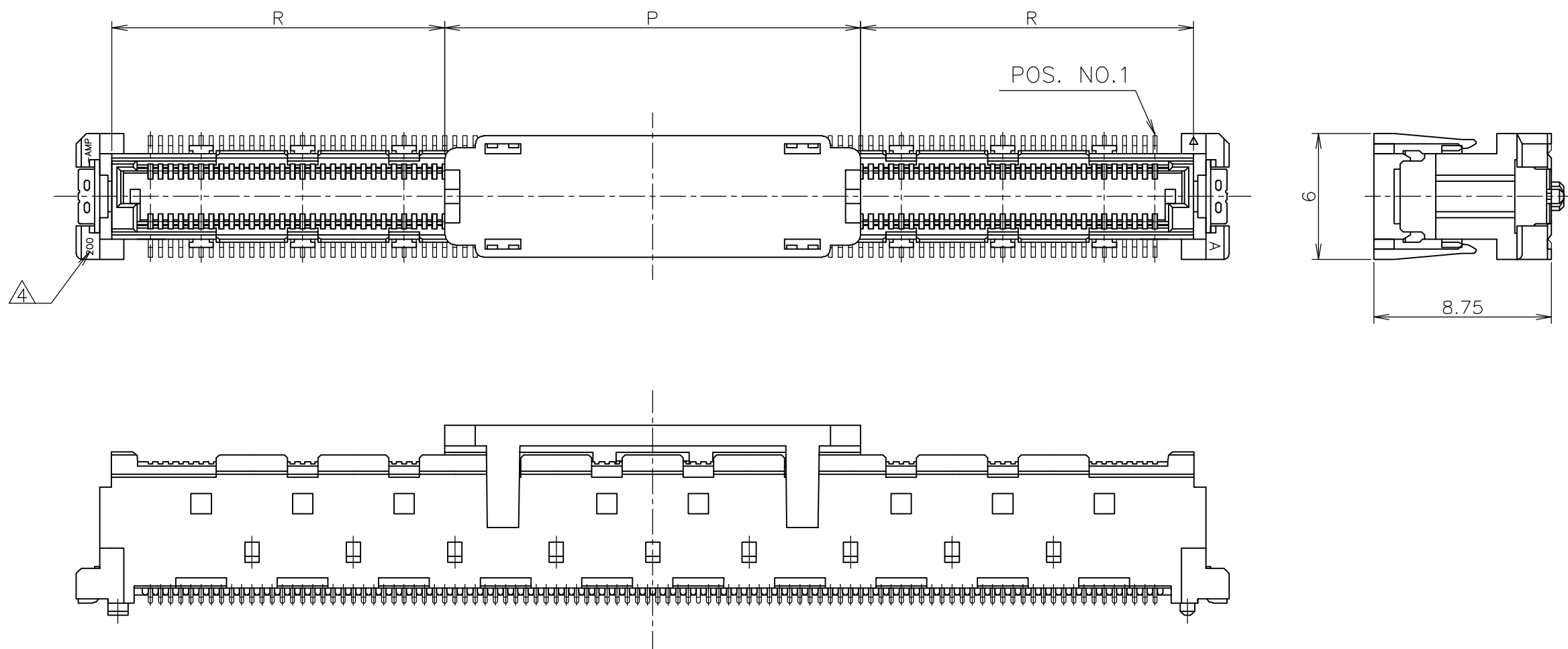
3

2

1

THIS DRAWING IS UNPUBLISHED. RELEASED FOR PUBLICATION OCT ,2006.
 © COPYRIGHT 2006 BY TYCO ELECTRONICS CORPORATION. ALL RIGHTS RESERVED.

| LOC | DIST | REVISIONS | | |
|-----|------|-------------|-----|-------------|
| J | / | P | LTR | DESCRIPTION |
| | | | | DATE |
| | | | | DWN |
| | | | | APVD |
| | | SEE SHEET 1 | | |
| | | | | |



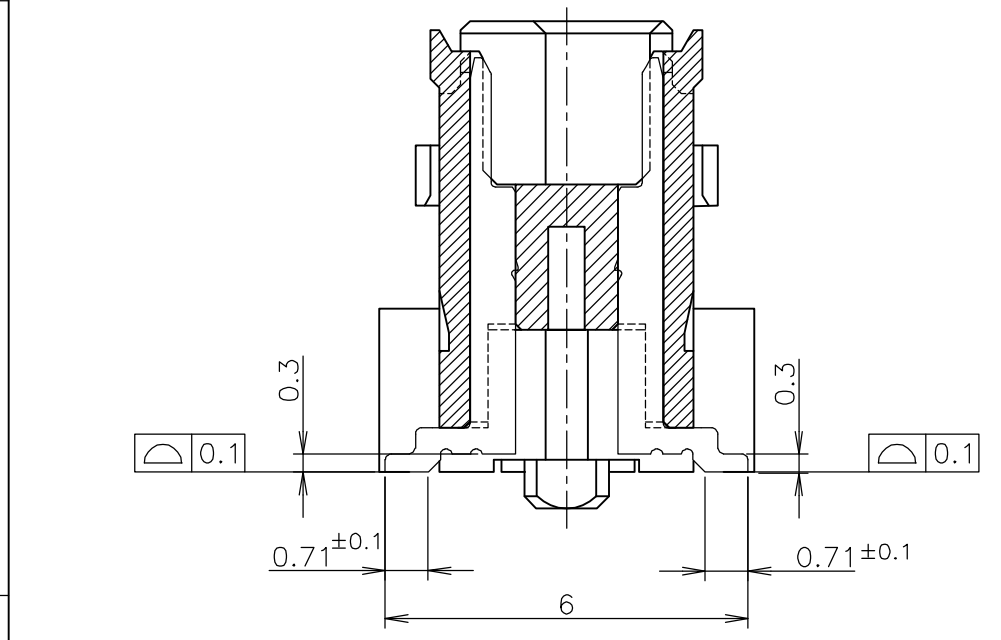
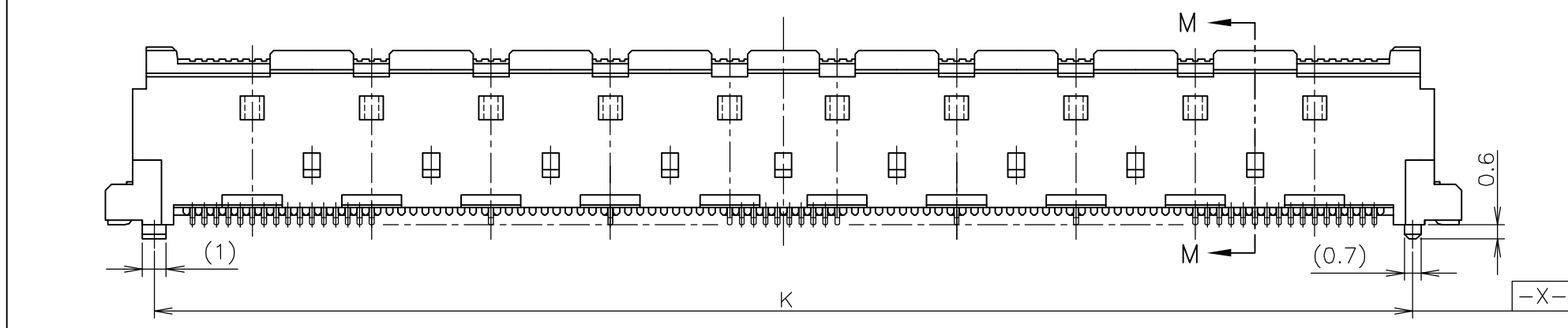
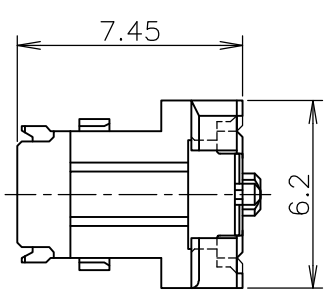
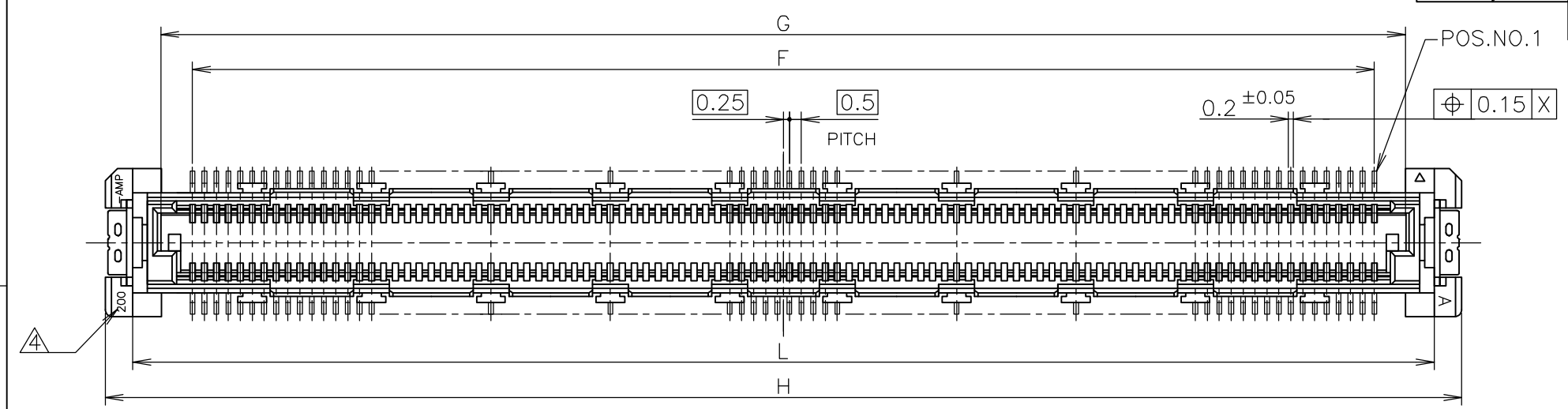
| | | |
|-------|------|------|
| 21.4 | 20.5 | 240 |
| 18.9 | ↑ | 220 |
| 16.4 | | 200 |
| 13.9 | | 180 |
| 12.65 | | 170 |
| 11.4 | | 160 |
| 10.15 | | 150 |
| 8.9 | ↓ | 140 |
| 6.4 | 20.5 | 120 |
| 8.9 | 10.5 | 100 |
| 7.65 | ↑ | 90 |
| 6.4 | | 80 |
| 5.15 | ↓ | 70 |
| 3.9 | 10.5 | 60 |
| 3.9 | 8 | 50 |
| 1.4 | 10.5 | 40 |
| 1.4 | 8 | 30 |
| R | P | POS. |

- △ MATERIAL;
HOUSING: HIGH TEMP THERMO PLASTIC UL94V-0
CONTACT: COPPER ALLOY
- △ FINISH;
SIGNAL CONTACT: UNDER PL Ni 0.0013mm MIN ALL OVER.
CONTACT AREA 0.0002mm MIN Au PL.
SOLDERING AREA 0.001mm MIN TIN PL.
SOLDER PEG: 0.001mm MIN TIN PL. OVER 0.0013mm MIN Ni PL ALL OVER.
- ③ THIS PRODUCT WAS COATED BY ANTI-FLUX-PENETRATION AGENT.
- ④ NO. OF CIRCUIT (DEPEND ON CONNECTOR POS).

| | | | | |
|---|--|-------------------------|--|---------------|
| THIS DRAWING IS A CONTROLLED DOCUMENT. | | DWN | Tyco Electronics AMP K.K. Kawasaki, Japan | |
| DIMENSIONS: 単位: 耗 mm | | CHK | | |
| TOLERANCES UNLESS OTHERWISE SPECIFIED: 一般公差 | | APVD | NAME 名称 | |
| 0 PLC ± | | PRODUCT SPEC 製品規格 | SEMI HARD TRAY ASSY | |
| 1 PLC ± | | APPLICATION SPEC 取付適用規格 | FH 0.5BTB CONNECTOR | |
| 2 PLC ± | | WEIGHT | PLUG 8H WITHOUT G-PLATE, ON CAP | |
| 3 PLC ± | | CUSTOMER DRAWING | SIZE | RESTRICTED TO |
| 4 PLC ± | | | CAGE CODE | |
| ANGLES ± | | DRAWING NO | DRAWING NO | |
| FINISH 仕上 | | SCALE 尺度 4:1 | SCALE 尺度 4:1 | |
| | | SHEET 2 OF 5 | SHEET 2 OF 5 | |
| | | REV A1 | REV A1 | |

THIS DRAWING IS UNPUBLISHED. RELEASED FOR PUBLICATION OCT. 2006.
 © COPYRIGHT 2006 BY TYCO ELECTRONICS CORPORATION. ALL RIGHTS RESERVED.

| | | | | |
|----------|-----------|-----------------|------|-----|
| LOC J | DIST / | REVISIONS 変更 | | |
| P | LTR | DESCRIPTION | DATE | DWN |
| | | SEE SHEET 1 | - | - |



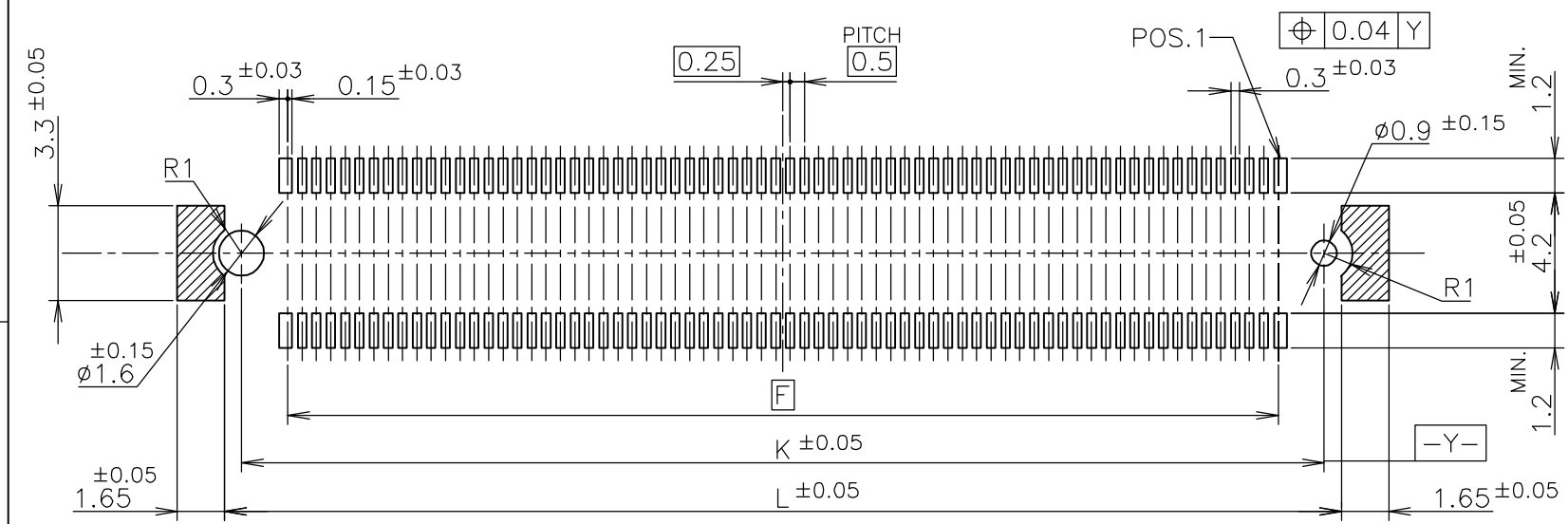
M-M
(SIGNAL POSITION)
(SCALE 8:1)

| | | | | | |
|------|------|------|------|------|------|
| 64.5 | 62.7 | 66.8 | 62.1 | 59.5 | 240 |
| 59.5 | 57.7 | 61.8 | 57.1 | 54.5 | 220 |
| 54.5 | 52.7 | 56.8 | 52.1 | 49.5 | 200 |
| 49.5 | 47.7 | 51.8 | 47.1 | 44.5 | 180 |
| 47 | 45.2 | 49.3 | 44.6 | 42 | 170 |
| 44.5 | 42.7 | 46.8 | 42.1 | 39.5 | 160 |
| 42 | 40.2 | 44.3 | 39.6 | 37 | 150 |
| 39.5 | 37.7 | 41.8 | 37.1 | 34.5 | 140 |
| 34.5 | 32.7 | 36.8 | 32.1 | 29.5 | 120 |
| 29.5 | 27.7 | 31.8 | 27.1 | 24.5 | 100 |
| 27 | 25.2 | 29.3 | 24.6 | 22 | 90 |
| 24.5 | 22.7 | 26.8 | 22.1 | 19.5 | 80 |
| 22 | 20.2 | 24.3 | 19.6 | 17 | 70 |
| 19.5 | 17.7 | 21.8 | 17.1 | 14.5 | 60 |
| 17 | 15.2 | 19.3 | 14.6 | 12 | 50 |
| 14.5 | 12.7 | 16.8 | 12.1 | 9.5 | 40 |
| 12 | 10.2 | 14.3 | 9.6 | 7 | 30 |
| L | K | H | G | F | POS. |

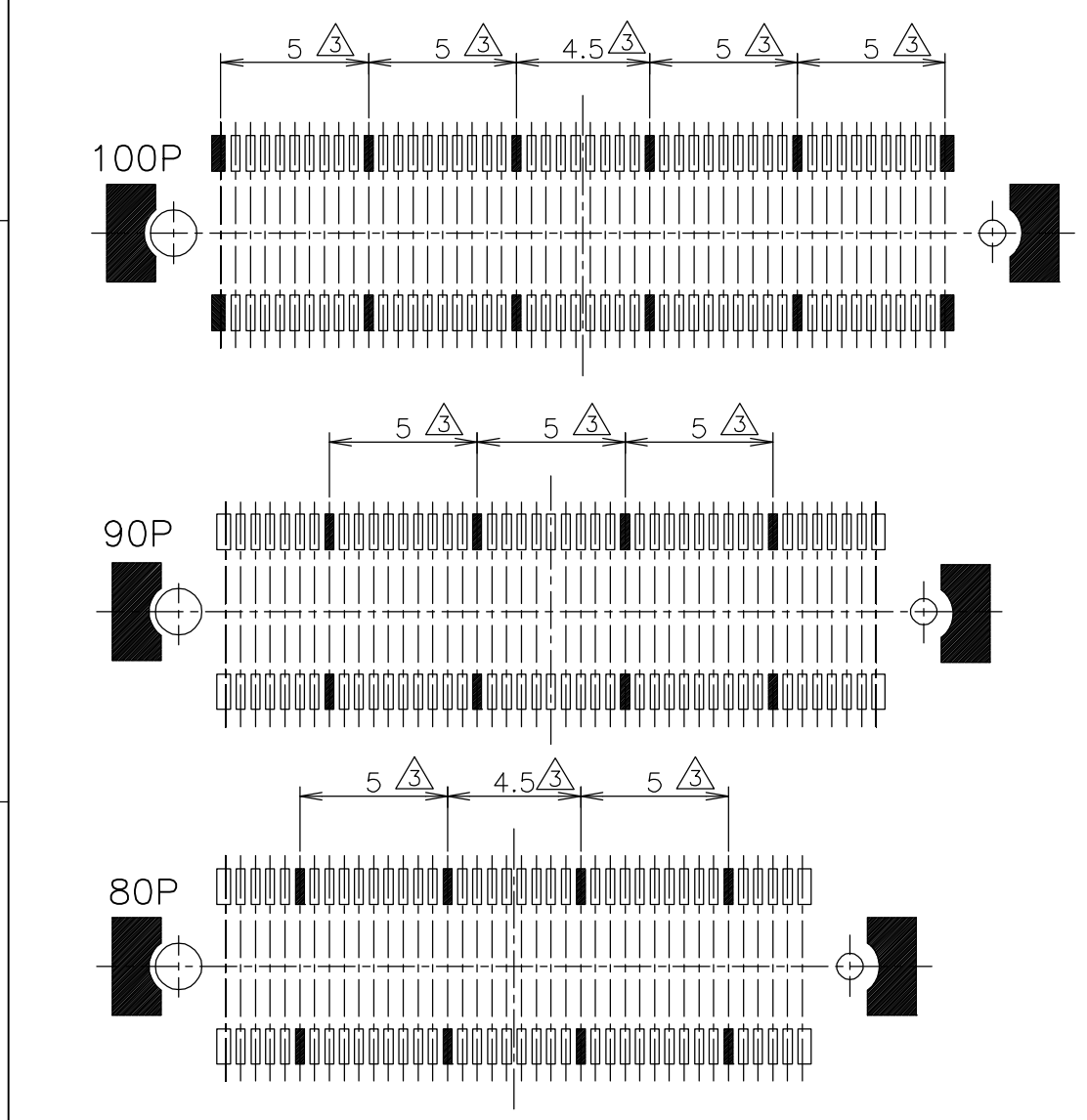
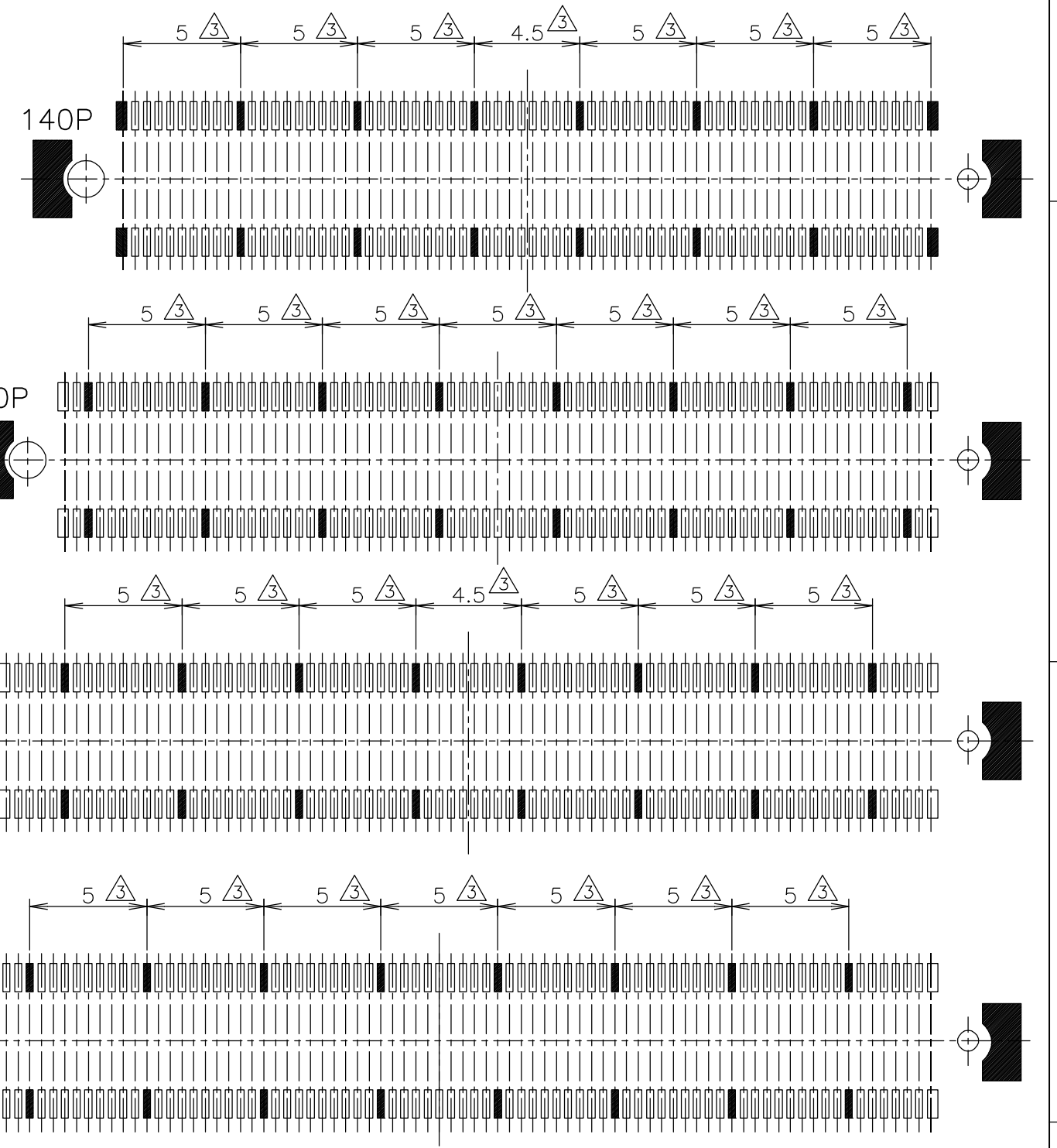
| | | | | | |
|---|--|-------------------------|--|-----------|---------------|
| THIS DRAWING IS A CONTROLLED DOCUMENT. | | DWN | Tyco Electronics AMP K.K. Kawasaki, Japan | | |
| DIMENSIONS: 単位: 耗 mm | | CHK | | | |
| TOLERANCES UNLESS OTHERWISE SPECIFIED: 一般公差 | | APVD | NAME 名称 | | |
| 0 PLC ± | | PRODUCT SPEC 製品規格 | SEMI HARD TRAY ASSY | | |
| 1 PLC ± | | APPLICATION SPEC 取付適用規格 | FH 0.5BTB CONNECTOR | | |
| 2 PLC ± | | WEIGHT | SIZE | CAGE CODE | DRAWING NO 番号 |
| 3 PLC ± | | CUSTOMER DRAWING | A3 | 00779 | C-1981052 |
| 4 PLC ± | | | SCALE 尺度 | SHEET | REV |
| ANGLES ± | | | 4:1 | 3 OF 5 | A1 |
| FINISH 仕上 | | | | | |

THIS DRAWING IS UNPUBLISHED. RELEASED FOR PUBLICATION OCT., 2006.
 © COPYRIGHT 2006 BY TYCO ELECTRONICS CORPORATION. ALL RIGHTS RESERVED.

| LOC | DIST | REVISIONS | | | DATE | DWN | APVD |
|-----|------|-----------|-----|-------------|------|-----|------|
| | | P | LTR | DESCRIPTION | | | |
| J | / | | | SEE SHEET 1 | - | - | - |



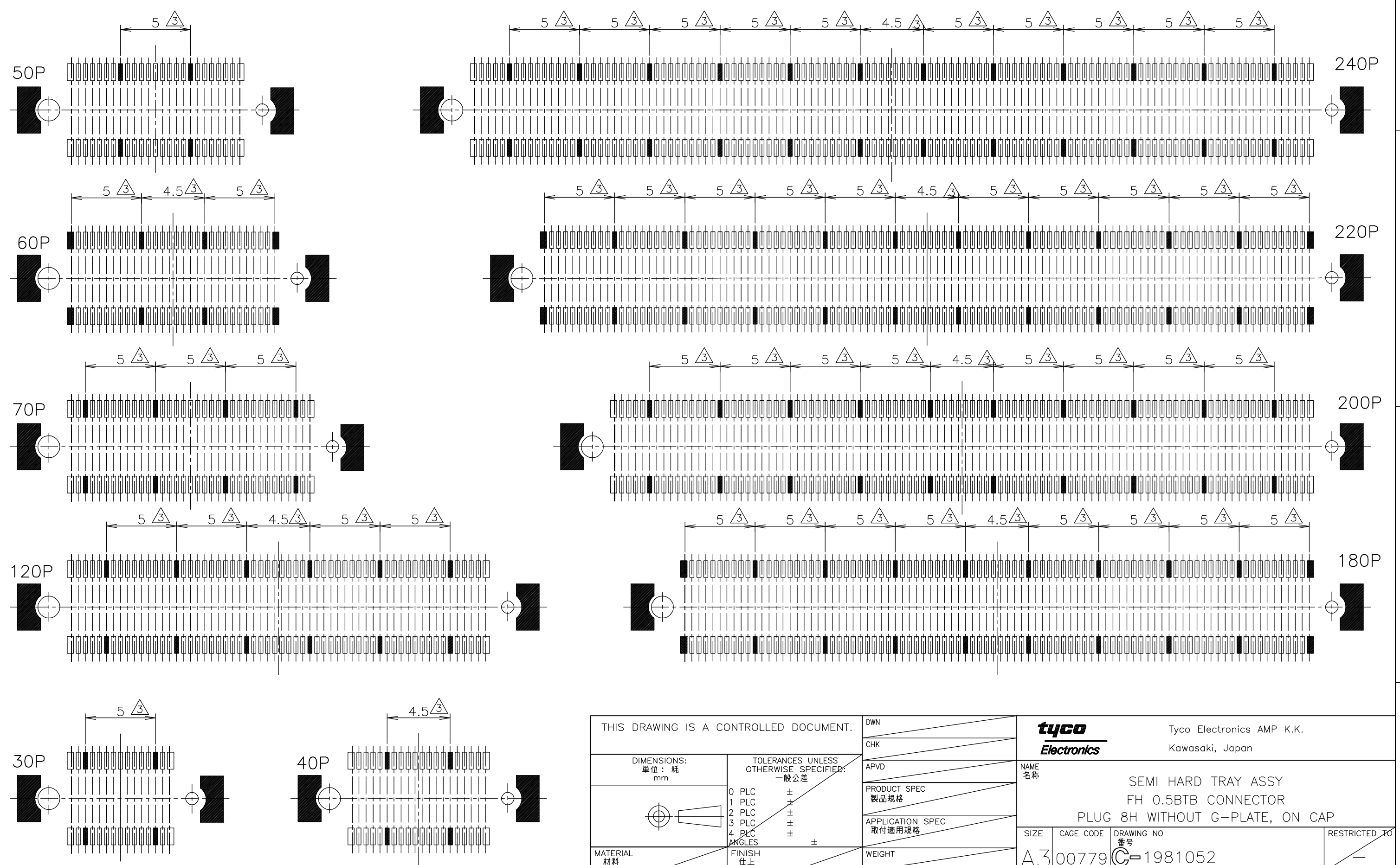
REFERENCE P.C. BOARD LAYOUT



| | | | | |
|---|--|-------------------------|--|---------------|
| THIS DRAWING IS A CONTROLLED DOCUMENT. | | DWN | Tyco Electronics AMP K.K. Kawasaki, Japan | |
| DIMENSIONS: 単位: 耗 mm | | CHK | | |
| TOLERANCES UNLESS OTHERWISE SPECIFIED: 一般公差 | | APVD | NAME 名称 | |
| 0 PLC ± | | PRODUCT SPEC 製品規格 | SEMI HARD TRAY ASSY | |
| 1 PLC ± | | APPLICATION SPEC 取付適用規格 | FH 0.5BTB CONNECTOR | |
| 2 PLC ± | | WEIGHT | PLUG 8H WITHOUT G-PLATE, ON CAP | |
| 3 PLC ± | | CUSTOMER DRAWING | SIZE | RESTRICTED TO |
| 4 PLC ± | | | A3 | |
| ANGLES ± | | CAGE CODE | DRAWING NO | SCALE 尺度 4:1 |
| FINISH 仕上 | | 00779 | G-1981052 | SHEET 4 OF 5 |
| MATERIAL 材料 | | REV A1 | | |

THIS DRAWING IS UNPUBLISHED. RELEASED FOR PUBLICATION OCT. 2006.
 © COPYRIGHT 2006 BY TYCO ELECTRONICS CORPORATION. ALL RIGHTS RESERVED.

| | | | | | | | |
|----------|-----------|-----------------|--|--|------|-----|------|
| LOC J | DIST / | REVISIONS 変更 | | | DATE | DWN | APVD |
| P | LTR | DESCRIPTION | | | | | |
| | | SEE SHEET 1 | | | | | |



| | | | | |
|--|--|----------------------------|---------------------------------------|-----------------|
| THIS DRAWING IS A CONTROLLED DOCUMENT. | | DWN | tyco Tyco Electronics AMP K.K. | |
| DIMENSIONS: 単位: 耗 mm | | CHK | Kawasaki, Japan | |
| TOLERANCES UNLESS OTHERWISE SPECIFIED: 一般公差 | | APVD | NAME 名称 | |
| 0 PLC ± | | PRODUCT SPEC 製品規格 | SEMI HARD TRAY ASSY | |
| 1 PLC ± | | APPLICATION SPEC 取付適用規格 | FH 0.5BTB CONNECTOR | |
| 2 PLC ± | | WEIGHT | PLUG 8H WITHOUT G-PLATE, ON CAP | |
| 3 PLC ± | | CUSTOMER DRAWING | SIZE | RESTRICTED TO |
| 4 PLC ± | | | A3 | |
| ANGLES ± | | CAGE CODE | DRAWING NO | REV |
| FINISH 仕上 | | A300779 | G-1981052 | A1 |
| MATERIAL 材料 | | SCALE 尺度 4:1 | | SHEET 5 of 5 |