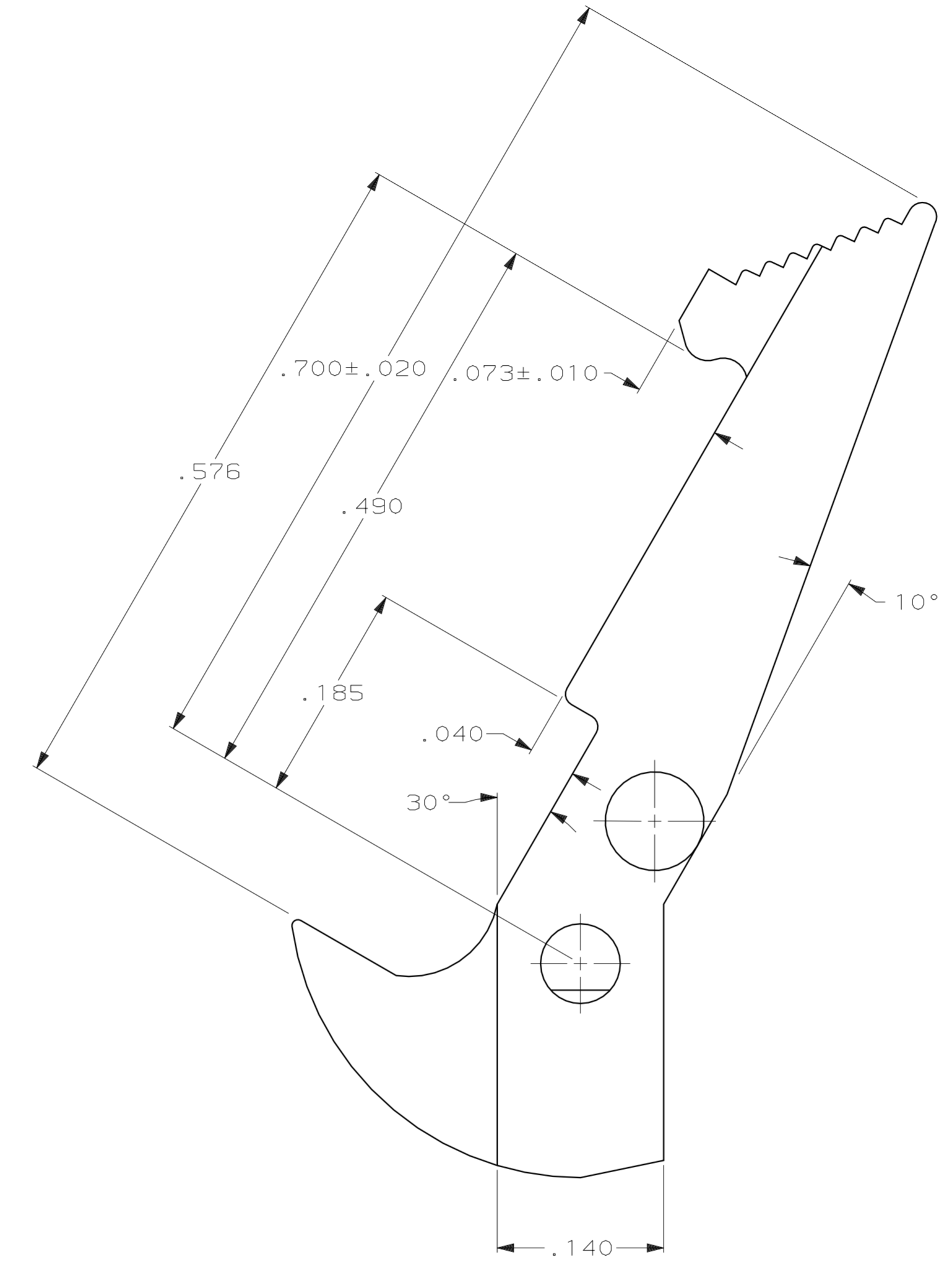
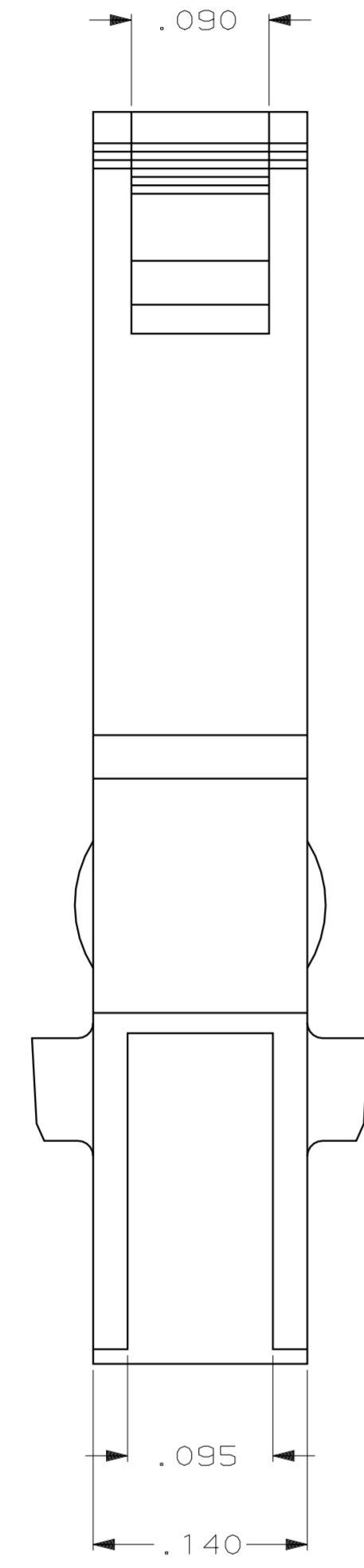


REVISIONS								
LOC	DIST	P	F	ZONE	LTR	DESCRIPTION	DATE	APPD
GP	00					D1 REVISED PER ECO 06-004646	08MAR06	JG



- 1 FLAME RETARDANT PCT, UL94V-0 RATED, COLOR RED.
- 2 FLAME RETARDANT PCT, UL94V-0 RATED, COLOR BLACK.
- 3. TO BE USED WITH AMP-LATCH UNIVERSAL HEADER WHICH MATES WITH AMP-LATCH CONNECTOR WITH STRAIN RELIEF.

2	111338-3
1	111338-1
MATERIAL	PART NO

DO NOT SCALE PRINT. UNLESS SPECIFIED DIMENSIONS IN INCHES. TOLERANCES ON:		DR 2-16-88 L SIPE		AMP INCORPORATED Harrisburg, Pa. 17105	
2 PLC DEC ± -		CHK 2-19-88 S WELDON			
3 PLC DEC ± .005		APPD 2-24-88 M E PEIFER		NAME	
ANGLES ± 1°		APPD 2-24-88 D HOFFMAN		LATCH, UNIVERSAL HEADER, AMP-LATCH	
MATERIAL		PRODUCT SPEC		SIZE	
SEE TABLE		-		D 00779	
FINISH		APPLICATION SPEC		DRAWING NO	
-		-		111338	
WEIGHT		-		SCALE	
-		-		10:1	
				SHEET	
				1 OF 1	