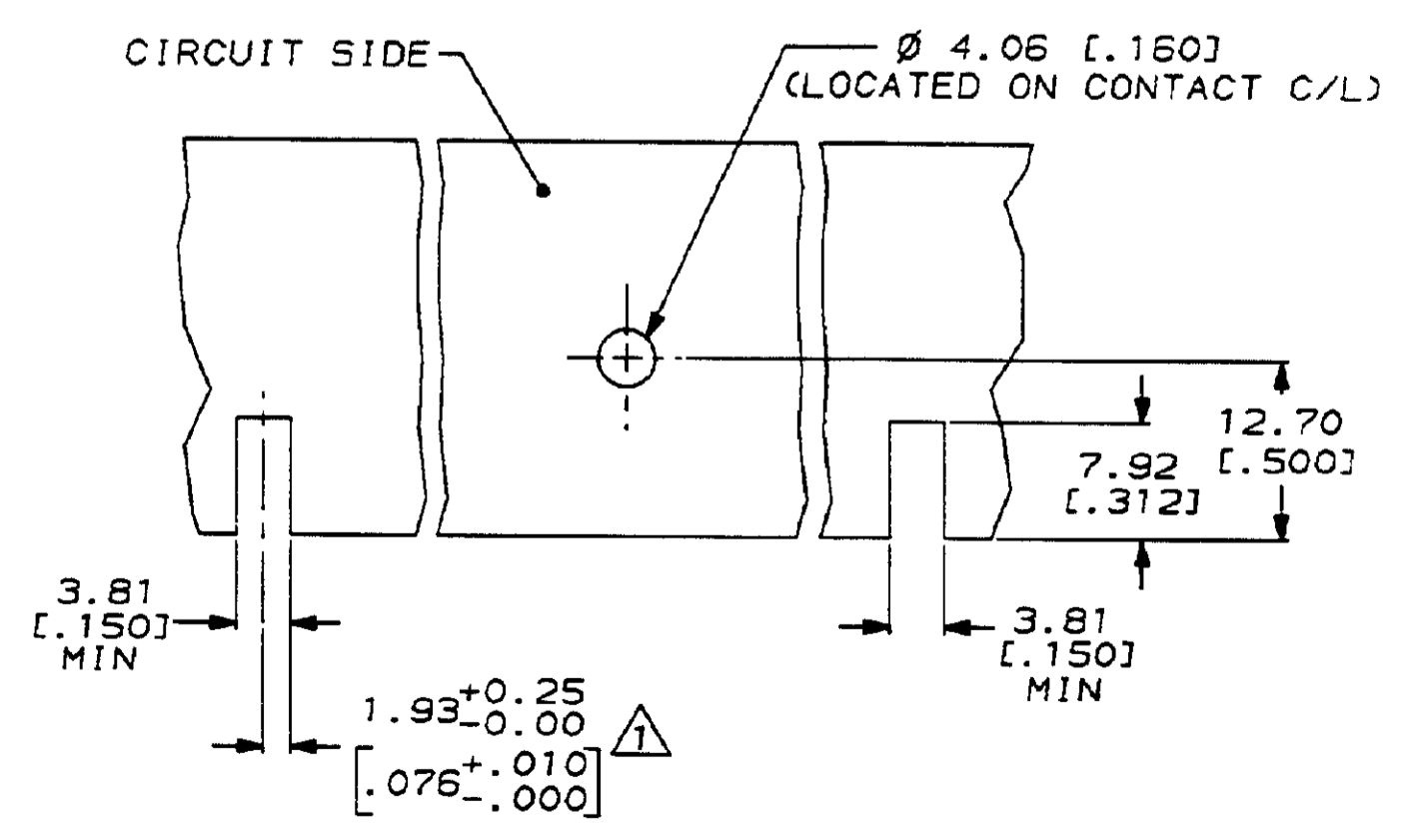
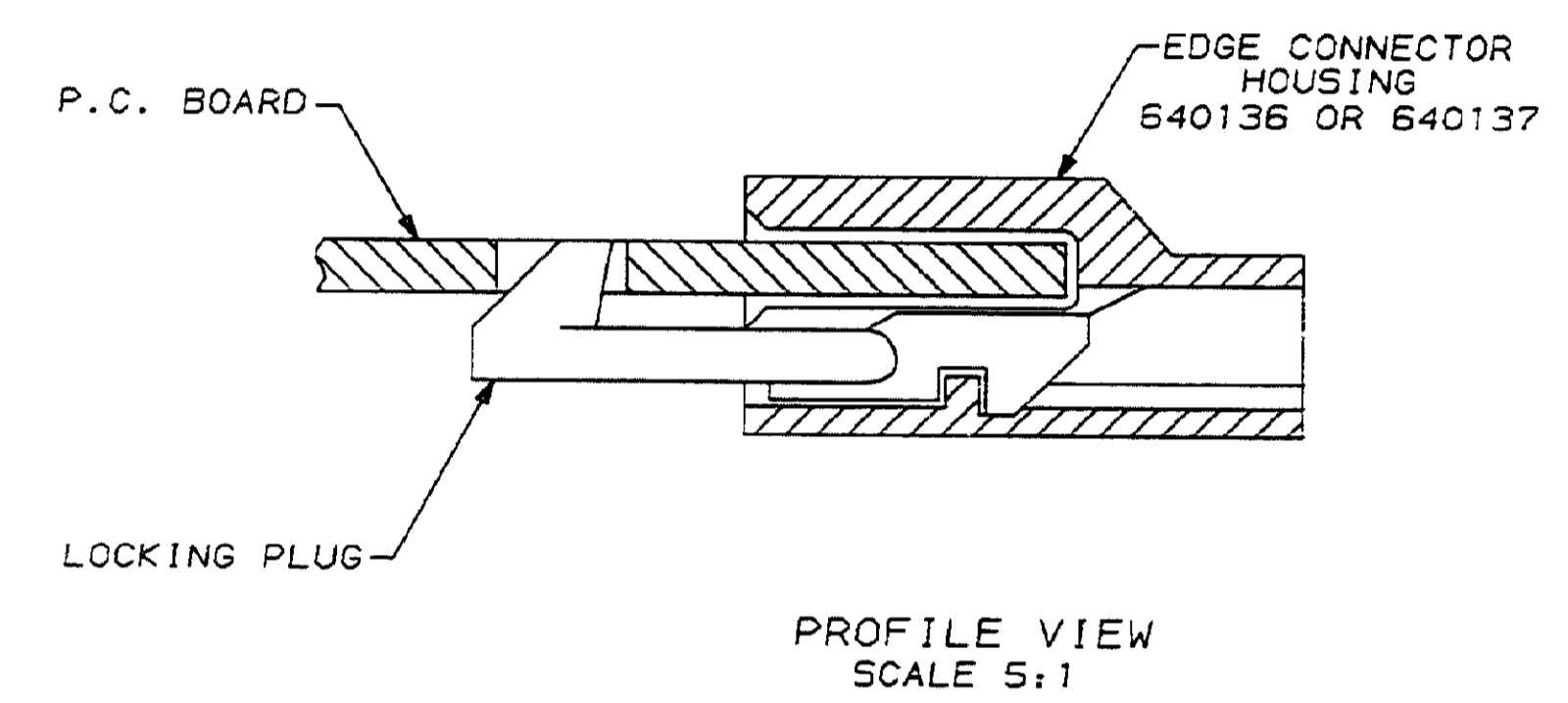
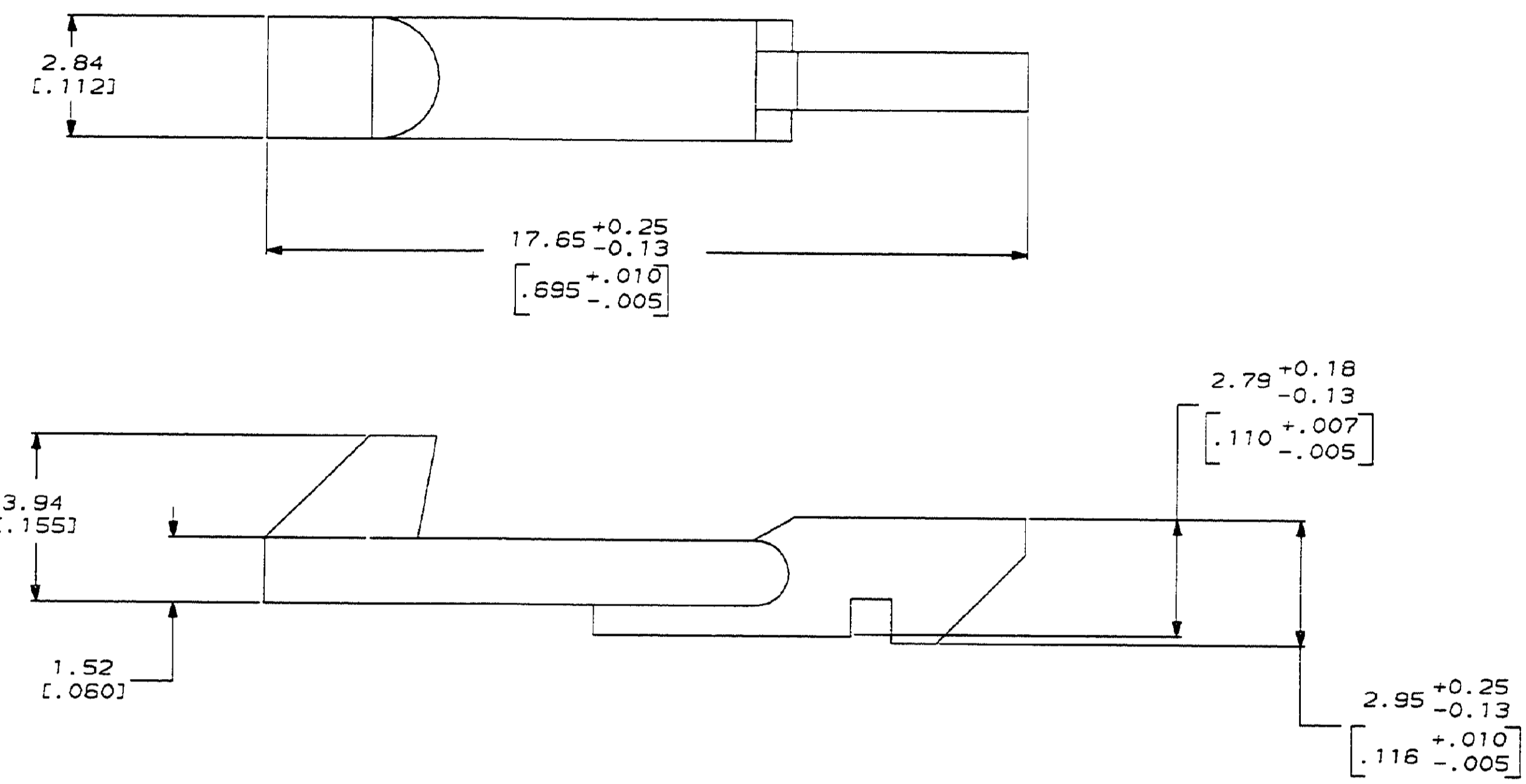


| LOC | | DIST | | REVISE | | REVISIONS | | DATE | APPD |
|-----|----|------|---|--------|-----|-----------------------------------|----------|------|------|
| CM | 52 | P | F | ZONE | LTR | DESCRIPTION | | | |
| | | | | | | G REDRAWN & REVISED PER ECN CM-11 | 11-21-91 | RS | RS |

△ RECOMMENDED CUTOUT FOR HOUSING POLARIZATION.
 2. DIMENSIONS IN BRACKETS ARE IN INCHES.



RECOMMENDED LAYOUT FOR P.C. BOARD
SCALE 2:1

METRIC

640179-1
PART NUMBER

| | | | | | |
|--|--|--|------------------|---|--|
| DO NOT SCALE PRINT. UNLESS SPECIFIED DIMENSIONS IN INCHES TOLERANCES ON : 2 PLC DEC ± 3 PLC DEC ± 0.13 [0.005] ANGLES ± | | DR 11-21-91 K. SALMON CHK 11-21-91 R. SWING APPD 4-24-92 W. LONG APPD 4-24-92 W. LONG PRODUCT SPEC | | PART NO | |
| MATERIAL NYLON, 94V-2 (NATURAL) | | FINISH | | NAME LOCKING PLUG, P.C. CONNECTOR, BIFURCATED LEAF | |
| APPLICATION SPEC | | SIZE D | FSCN NO 00779 | DRAWING NO 640179 | |
| WEIGHT | | SCALE 10:1 | | SHEET 1 OF 1 | |

CUSTOMER DRAWING

AMP BUSINESS GROUP 3323 177-34 KTH SALMON