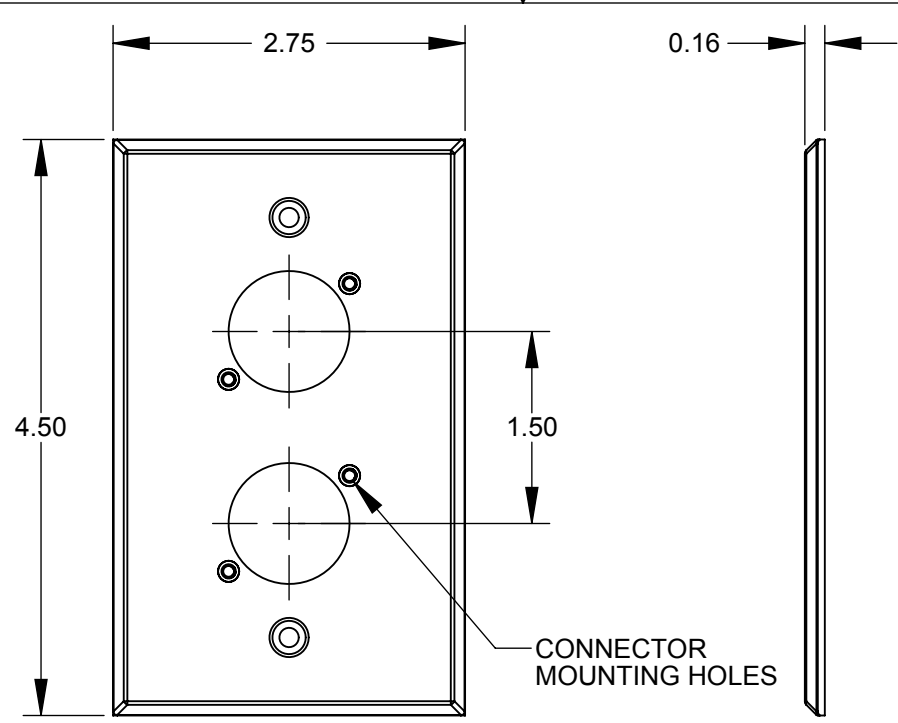
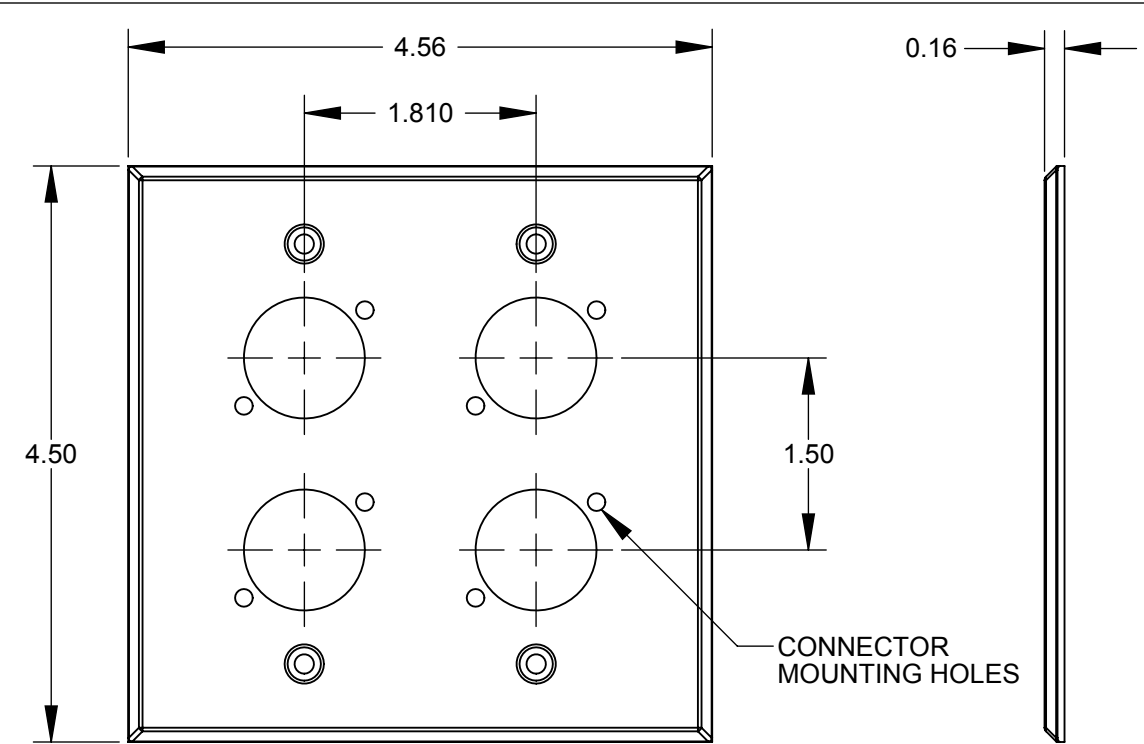


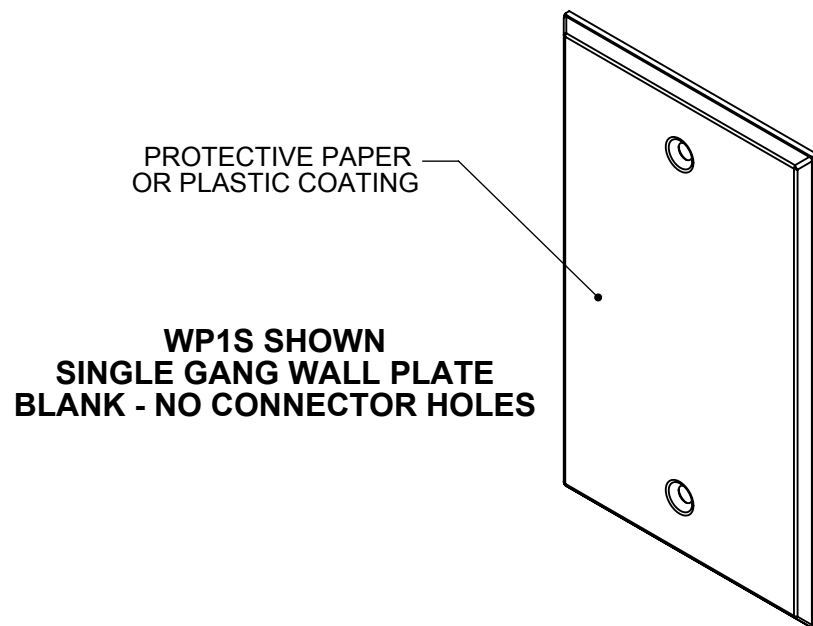
**WP1S1P SHOWN
SINGLE GANG WALL PLATE
1 CONNECTOR HOLE**



**WP1S2P SHOWN
SINGLE GANG WALL PLATE
2 CONNECTOR HOLES**



**WP2S4 SHOWN
DOUBLE GANG WALL PLATE
4 CONNECTOR HOLES**



**WP1S SHOWN
SINGLE GANG WALL PLATE
BLANK - NO CONNECTOR HOLES**

PART NUMBER	GANG SIZE	WALL PLATE MOUNTING SCREWS SEE NOTE 1	FINISH	EH SERIES CONNECTOR HOLES	CONNECTOR MOUNTING HOLE
WP1S	1	2	STAINLESS STEEL	0	NONE
WP1S1	1	2	STAINLESS STEEL	1	Ø0.138
WP1S1P	1	2	STAINLESS STEEL	1	#4-40 THREAD
WP1B1	1	2	BLACK ALUMINUM	1	Ø0.138
WP1B1P	1	2	BLACK ALUMINUM	1	#4-40 THREAD
WP1S2	1	2	STAINLESS STEEL	2	Ø0.138
WP1S2P	1	2	STAINLESS STEEL	2	#4-40 THREAD
WP1B2	1	2	BLACK ALUMINUM	2	Ø0.138
WP1B2P	1	2	BLACK ALUMINUM	2	#4-40 THREAD
WP2S4	2	4	STAINLESS STEEL	4	Ø0.138
WP2S4P	2	4	STAINLESS STEEL	4	#4-40 THREAD
WP2B4	2	4	BLACK ALUMINUM	4	Ø0.138
WP2B4P	2	4	BLACK ALUMINUM	4	#4-40 THREAD

CUSTOMER DRAWING

NOTES:

- WALL PLATES COME WITH STAINLESS STEEL MOUNTING SCREWS. TWO SCREWS FOR 1 GANG. FOUR SCREWS FOR 2 GANG.

FOR STAINLESS STEEL PLATES: #6-32 SLOTTED OVAL HEAD SCREW.
FOR BLACK ALUMINUM PLATES: #6-32 CROSS RECESSED OVAL HEAD SCREW.
- THIS PRODUCT IS RoHS COMPLIANT.

REV	ECO NUMBER	DATE	BY	APVD
A	26590	8/3/10	TJK	TJK
REVISIONS				

UNLESS OTHERWISE SPECIFIED

1. ALL DIMENSIONS IN INCHES

- TWO PLACE DECIMALS ±0.02

- THREE PLACE DECIMALS ±0.005

DO NOT SCALE DRAWING

THIS DRAWING DESCRIBES A DESIGN CONSIDERED PROPRIETARY IN NATURE, DEVELOPED AND MANUFACTURED BY SWITCHCRAFT INC. AND IS RELEASED ON A CONFIDENTIAL BASIS FOR IDENTIFICATION PURPOSES ONLY.					
SIZE	WIDTH	MULT	LBS/M	TEMPER	
FINISH			MATERIAL		
SPEC No.			SPEC No.		
FIRST USED ON		SCALE 1:1.5			
DATE DRAWN	BY	CHKD	APVD	Switchcraft [®]	
1/18/10	JGK	TJK	JGK		
NAME				PART No.	REV
WALL PLATE EH SERIES, RoHS				WP	A
				SHEET 1 OF 1	SERIES