

5748678-4 ✓ ACTIVE

AMPLIMITE | AMPLIMITE Kit

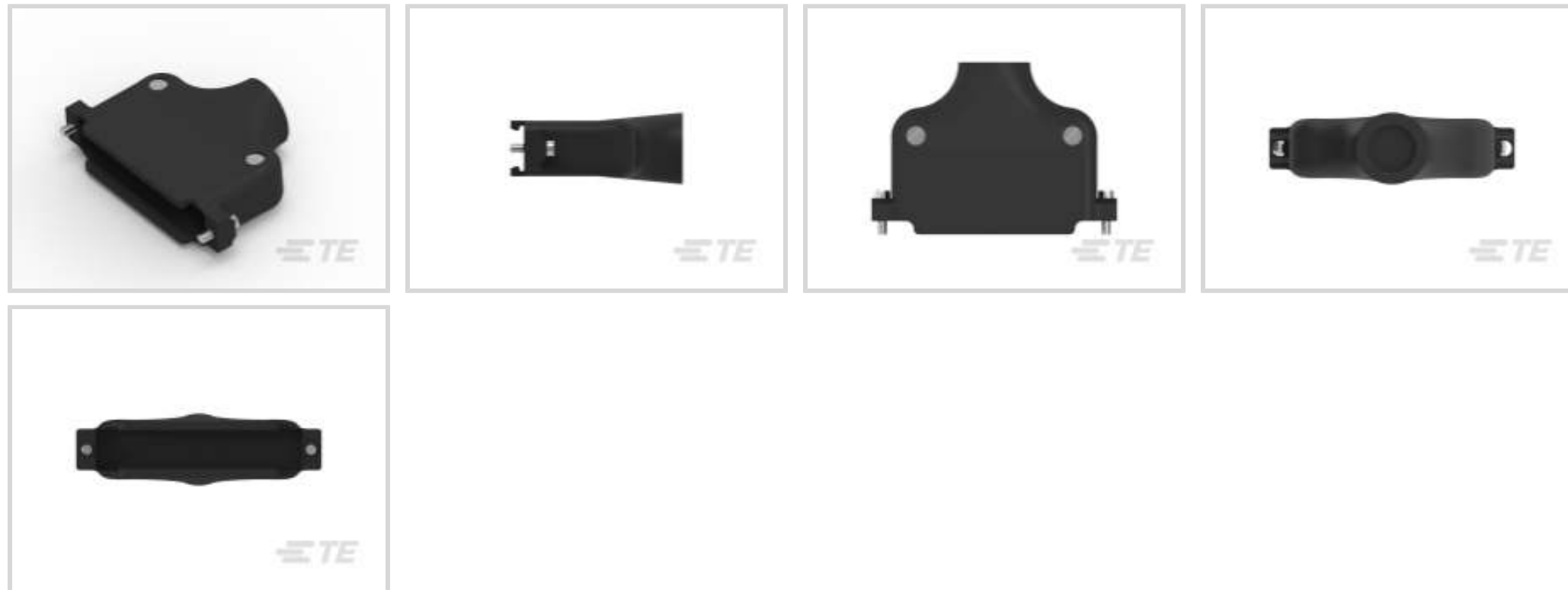
TE Internal #: 5748678-4

Unshielded, Two-Piece RFI/EMI Shield, ABS, Straight, Shell Size 4, AMPLIMITE Kit

[View on TE.com >](#)



Connectors > Connector Accessories > Connector Backshells



Connector Backshell Product Style: **Unshielded**

Connector Backshell Product Type: **Two-Piece RFI/EMI Shield**

Primary Product Material: **ABS**

Body Orientation: **Straight**

Compatible With Connector Shell Size: **4**

Features

Product Type Features

Connector Backshell Product Style	Unshielded
Connector Backshell Product Type	Two-Piece RFI/EMI Shield

Body Features

Primary Product Color	Black
Primary Product Material	ABS
Cable Exit Angle	180°

Mechanical Attachment

Thread Size	4-40
-------------	------

Housing Features

Body Orientation	Straight
Compatible With Connector Shape	D-Shaped

Dimensions

Compatible Insulation Diameter Range	6.48 – 11.94 mm [.255 – .47 in]
--------------------------------------	---------------------------------

Operation/Application



Compatible With Connector Shell Size	4
--------------------------------------	---

Packaging Features

Packaging Quantity	1
Packaging Method	Kit

Other

Connector Accessory Comment	Jackscrews must be purchased separately.
-----------------------------	--

Product Compliance

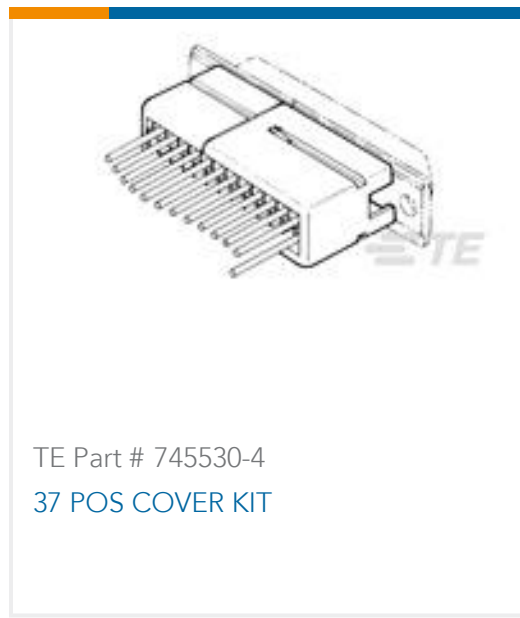
[For compliance documentation, visit the product page on TE.com>](#)

EU RoHS Directive 2011/65/EU	Compliant
EU ELV Directive 2000/53/EC	Compliant
China RoHS 2 Directive MIIT Order No 32, 2016	No Restricted Materials Above Threshold
EU REACH Regulation (EC) No. 1907/2006	Current ECHA Candidate List: JUNE 2023 (235) Candidate List Declared Against: JAN 2023 (233) Does not contain REACH SVHC
Halogen Content	Low Halogen - Br, Cl, F, I < 900 ppm per homogenous material. Also BFR/CFR/PVC Free
Solder Process Capability	Not applicable for solder process capability

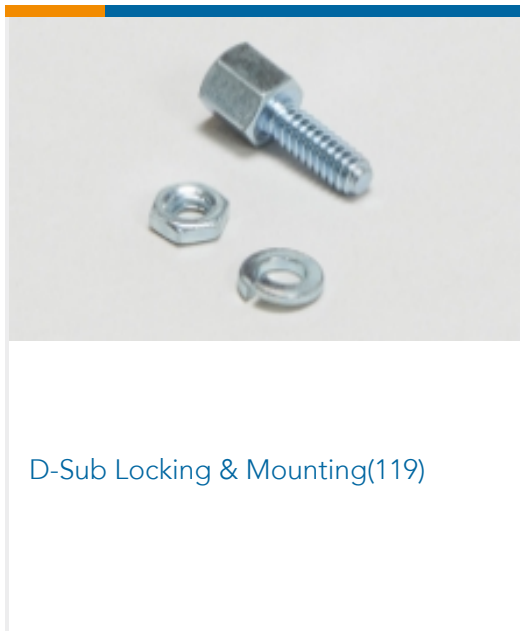
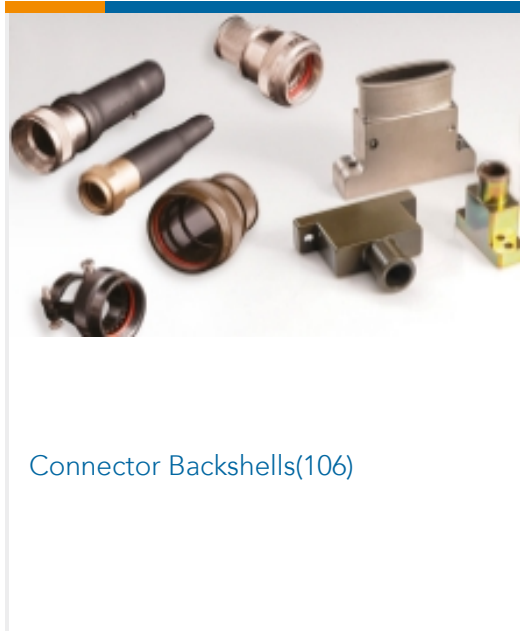
Product Compliance Disclaimer

This information is provided based on reasonable inquiry of our suppliers and represents our current actual knowledge based on the information they provided. This information is subject to change. The part numbers that TE has identified as EU RoHS compliant have a maximum concentration of 0.1% by weight in homogenous materials for lead, hexavalent chromium, mercury, PBB, PBDE, DBP, BBP, DEHP, DIBP, and 0.01% for cadmium, or qualify for an exemption to these limits as defined in the Annexes of Directive 2011/65/EU (RoHS2). Finished electrical and electronic equipment products will be CE marked as required by Directive 2011/65/EU. Components may not be CE marked. Additionally, the part numbers that TE has identified as EU ELV compliant have a maximum concentration of 0.1% by weight in homogenous materials for lead, hexavalent chromium, and mercury, and 0.01% for cadmium, or qualify for an exemption to these limits as defined in the Annexes of Directive 2000/53/EC (ELV). Regarding the REACH Regulation, the information TE provides on SVHC in articles for this part number is based on the latest European Chemicals Agency (ECHA) 'Guidance on requirements for substances in articles' posted at this URL: <https://echa.europa.eu/guidance-documents/guidance-on-reach>

Compatible Parts



Also in the Series | **AMPLIMITE Kit**



Customers Also Bought





Documents

Product Drawings

2 PC PLST CBL CLMP KIT

English

CAD Files

3D PDF

English

Customer View Model

[ENG_CVM_5748678-4_O.2d_dxf.zip](#)

English

Customer View Model

[ENG_CVM_5748678-4_O.3d_igs.zip](#)

English

Customer View Model

[ENG_CVM_5748678-4_O.3d_stp.zip](#)

English

By downloading the CAD file I accept and agree to the [Terms and Conditions](#) of use.

Datasheets & Catalog Pages

AMPLIMITE Subminiature D Connectors - Cable Connectors

English

AMPLIMITE Cable Connectors and Shielding Hardware Kits QRG

English

Instruction Sheets

Instruction Sheet (U.S.)

English