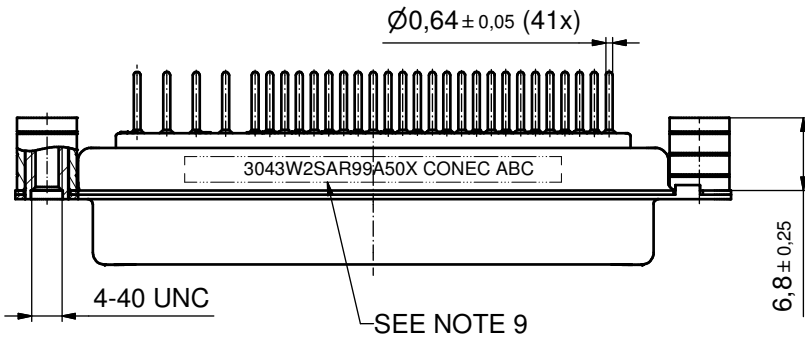
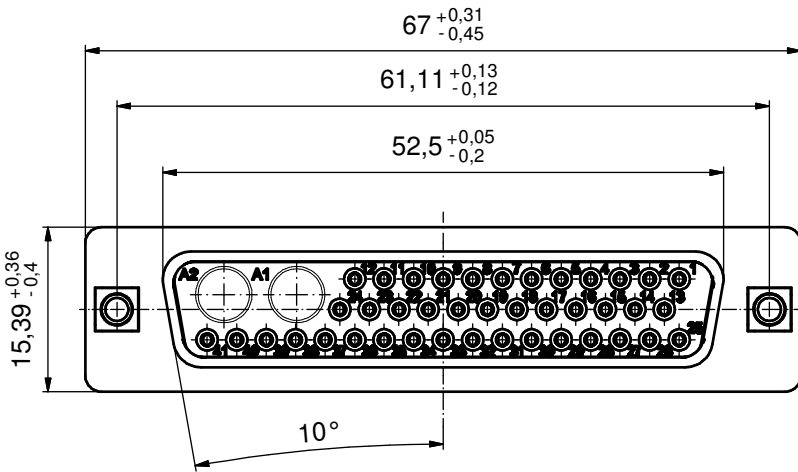
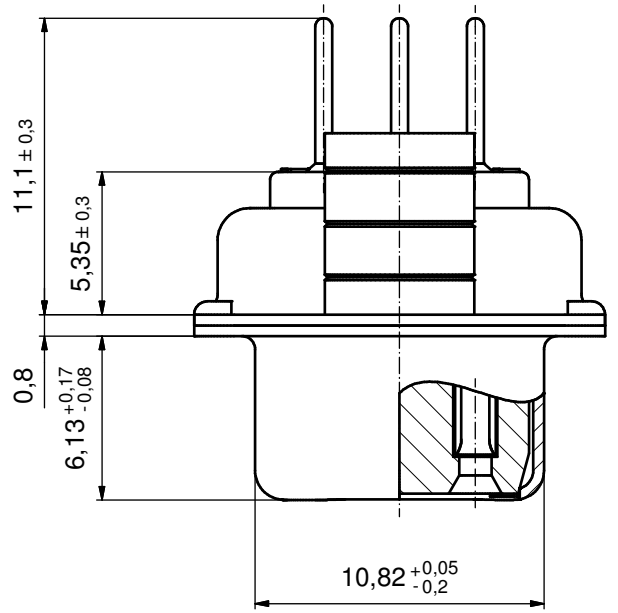
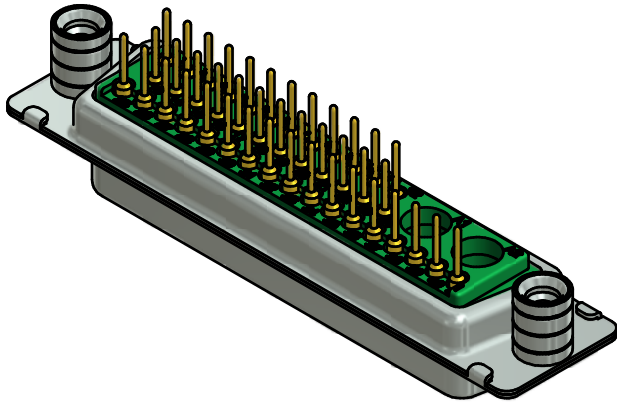


(5:1)

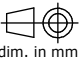



SEE NOTE 9

NOTES:

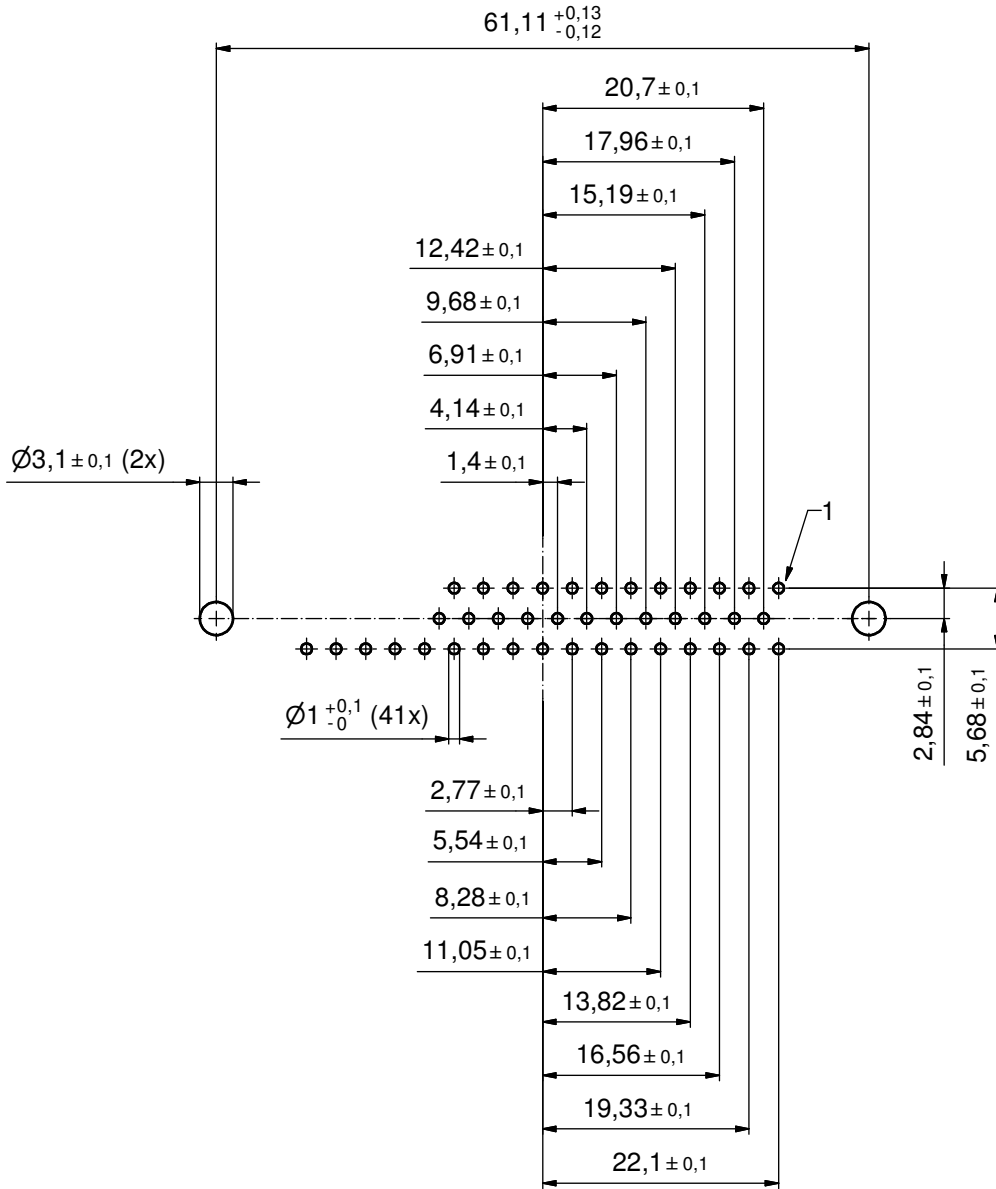
1. METALSHELLS: STEEL; min. 315µin TIN over 40-80µin NICKEL
2. INSULATORS: PBT GF UL 94 V-0, GREEN
3. SIGNAL CONTACTS: COPPER ALLOY
PLATING: GOLD FLASH over NICKEL
4. NO CONTACTS ON POS. A1 + A2
5. THREADED REAR SPACERS: COPPER ALLOY; min. 200µin TIN over 80µin NICKEL
6. SLEEVES: COPPER ALLOY; min. 200µin TIN over 80µin NICKEL
7. P.C.B. HOLE DRILLINGS SEE SHEET 2
8. MAXIMUM TORQUE VALUE FOR THREADED: 6 in.LB
9. CONNECTOR IS PART MARKED: 3043W2SAR99A50X CONEC ABC

Directive 2002/95/EC RoHS compliant

THIS DRAWING MAY NOT BE COPIED OR REPRODUCED IN ANY WAY, AND MAY NOT BE PASSED ON TO A THIRD PARTY WITHOUT WRITTEN PERMISSION. OWNERSHIP AND COPYRIGHT OF CONEC GmbH DO NOT ALTER CAD DRAWING BY HAND	tolerance		 dim. in mm		scale: 2:1 (5:1)	
					material: SEE NOTES	
			date		title:	
			name		D-SUB COMBINATION FEMALE	
			drawn 07.11.11 Henneboel		43W2S	
			appd. 07.11.11 Koch		with threaded rear spacer	
			norm		dwg no:	
			d-old		13K1A3824	
	a Original				DIN-A3	
	rev. description date name				sh: 1	
				part no: 3043W2SAR99A50X		

P.C.B. HOLE DRILLING

(P.C.B. TOP SIDE)



THIS DRAWING MAY NOT BE COPIED OR REPRODUCED IN ANY WAY, AND MAY NOT BE PASSED ON TO A THIRD PARTY WITHOUT WRITTEN PERMISSION. OWNERSHIP AND COPYRIGHT OF CONEC GmbH DO NOT ALTER CAD DRAWING BY HAND				tolerance		scale: 2:1		
				date	name	material: SEE SHEET 1		
				drawn	07.11.11	Henneboel	title: P.C.B. HOLE DRILLINGS D-SUB COMBINATION FEMALE 43W2S with threaded rear spacer	
				appd.	07.11.11	Koch		
				norm				
				d-old				
	a	Original		CONEC ®			dwg no:	DIN-A3
	rev.	description	date				name	13K1A3824
							part no:	SEE SHEET 1