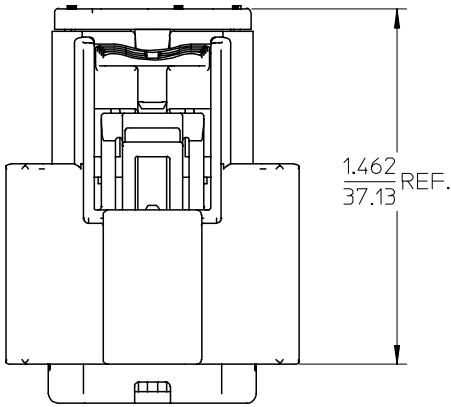
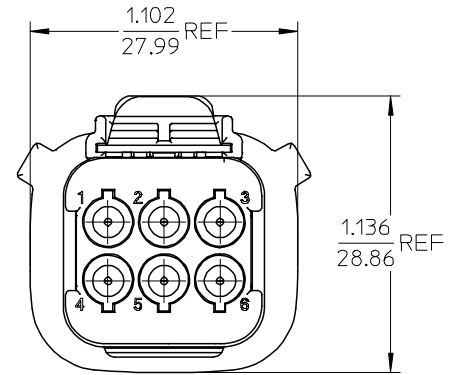
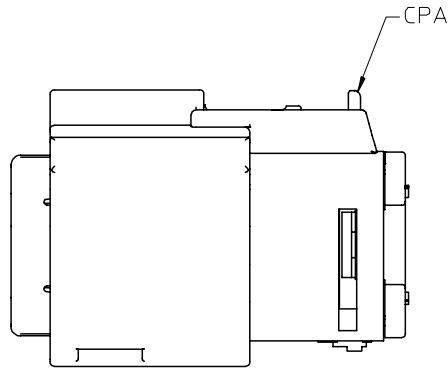
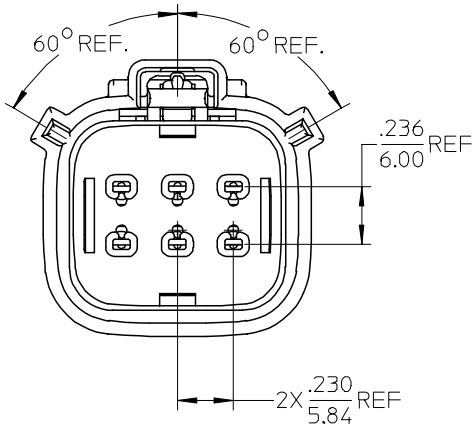
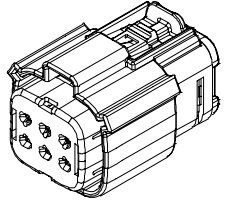


10 9 8 7 6 5 4 3 2 1



194180021	16-14	NO
194180020	22-18	
194180010	16-14	YES
194180011	22-18	
MATERIAL NUMBER	UL WIRE AWG	CPA



NOTES:

1. MATERIALS:
HOUSING: POLYESTER (PBT), GLASS FILLED, UL94 V-0,
COLOR: BLACK.
SEALS: SILICONE RUBBER.
2. PRODUCT SPECIFICATION: PS-19417-001.
3. PACKAGING SPECIFICATION: PK-19418-001.
4. MATES WITH: 19419 SERIES PLUG ASSEMBLIES.
5. USE CONNECTOR WITH FEMALE CRIMP TERMINAL SERIES 19420.

REVISED EC NO: ETC2006-0122 DRWN: JPWLICK 2005/12/05 CHKD: JPWLICK 2005/12/06 APPR: RDEROSS 2005/12/07	QUALITY SYMBOLS ▽=0 ▽=0	GENERAL TOLERANCES (UNLESS SPECIFIED)		DIMENSION STYLE IN/MM		SCALE 1:1	DESIGN UNITS INCH	THIRD ANGLE PROJECTION	
			mm	INCH	DRAWN BY BRUPERT	DATE 01/20/03	TITLE 6 WAY RECEPTACLE ASSEMBLY, KEY A POLARIZATION		
		4 PLACES	± ---	± ---	CHECKED BY JPWLICKI	DATE 01/23/03			
		3 PLACES	± ---	± .015	APPROVED BY RDEROSS	DATE 01/25/03	MATERIAL NO. SEE CHART		
2 PLACES	± 0.38	± ---	ANGULAR ± 1 °		DOCUMENT NO. SD-19418-004		SHEET NO. 1 OF 1		
1 PLACE	± ---	± ---	DRAFT WHERE APPLICABLE MUST REMAIN WITHIN DIMENSIONS		THIS DRAWING CONTAINS INFORMATION THAT IS PROPRIETARY TO MOLEX INCORPORATED AND SHOULD NOT BE USED WITHOUT WRITTEN PERMISSION				

9 8 7 6 5 4 3 2 1