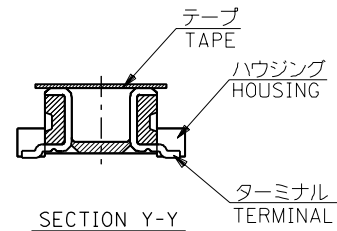
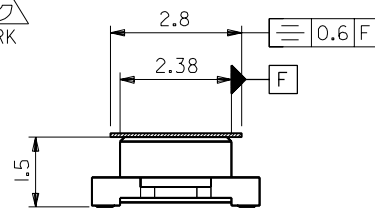
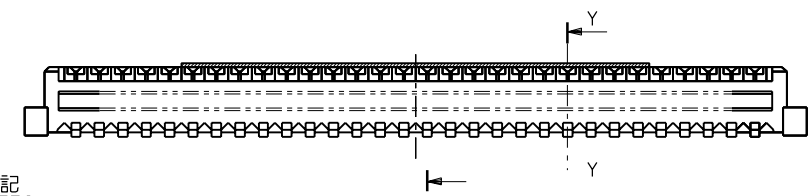


参考基板寸法
REFERENCE USE ONLY P.C.B. PATTERN LAYOUT
(5 : 1)



注記 NOTES

- 嵌合相手 : 52974-****, 52950-****
MATES WITH : 52974-****, 52950-****
 - 材質 MATERIAL
ハウジング : 液晶ポリマー ガラス充填, 白色, UL94V-0
HOUSING : LIQUID CRYSTAL POLYMER GLASS FIELD WHITE, UL94V-0
ターミナル : 黄銅 (t=0.15)
TERMINAL : BRASS (t=0.15)
テープ : ポリイミド (t=50マイクロメートル)
TAPE : PI (t=50 MICROMETER)
 - メッキ仕様 PLATING
金メッキ 0.25マイクロメートル以上。(コンタクト部)
GOLD 0.25MICROMETER MINIMUM (CONTACT)
金メッキ 0.4マイクロメートル以下。(テール部)
GOLD 0.4MICROMETER MAXIMUM (TAIL)
下地メッキ : ニッケルメッキ 1.5マイクロメートル以上。
UNDER-PLATING : NICKEL 1.5MICROMETER MINIMUM
 - テール平坦度は 0.1以下。
TAIL COPLANARITY TO BE 0.1 MAXIMUM
- △ 極性を示さない。
NO DIRECTION.

角度 ANGLE	公差 TOLERANCE	記号 LTR	変更内容 REVISION RECORD	DR. CHK.	日付 DATE
30°以上 OVER	+0.3	B	変更 REVISD (JC00146)	M.H.	99/8/23
10°以上 30°未満 UNDER	+0.25	A	変更 REVISD (JC60527)	T.N.	96/2/5
10°未満 UNDER	+0.2	O	新規作成 PROPOSED (JC60441)	T.N.	96/11/10

材料 MATERIAL	注記参照 DESCRIBED IN THE DRAWING
仕上げ FINISH	---
適用電線範囲 WIRE RANGE	---
被覆外径 INS. RANGE	---
DRAWN BY '96/ 1/10	CHK'D BY '99/ 8/24
T.NIITSU	T.IITO
APP'D BY '99/ 8/24	尺度 SCALE 10 : 1
M.FUKUSHIMA	

7	21.7	19.5	53729-0802	80
	16.7	14.5	53729-0602	60
	14.2	12.0	53729-0502	50
	11.7	9.5	53729-0402	40
4	6.7	4.5	53729-0202	20
C	B	A	ENG. NO.	極数 NO. OF CKT.

molex MOLEX-JAPAN CO.,LTD.
日本モレックス株式会社

REVISE ONLY ON CAD SYSTEM

TITLE 名称
0.5 B-To-B PLUG OVERMOLD
Hgt=2 WITHOUT BOSSES

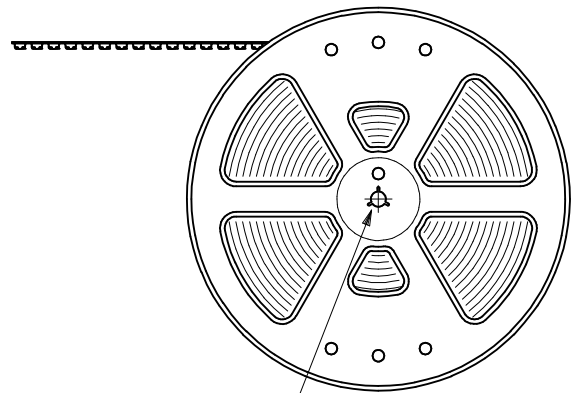
DWG. NO. SD-53729-***2

REV B

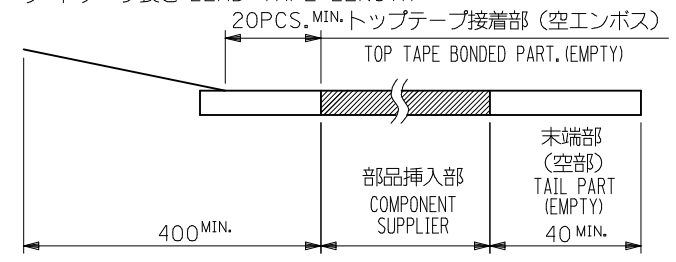
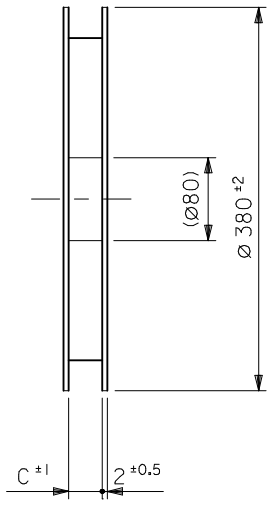
NOTES

- 製品詳細寸法については図面 SD-53729-***2 を参照下さい。
RE DETAILED DIMENSION, SEE SD-53729-***2
- 梱包数量：3000個/リール
NUMBER OF CONNECTORS : 3000PCS/REEL
- リードテープ長さ LEAD TAPE LENGTH

引き出し方向
PULL OUT
DIRECTION

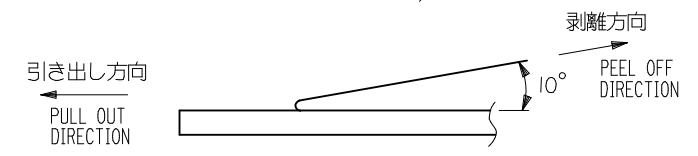


引き出し方向
PULL OUT
DIRECTION

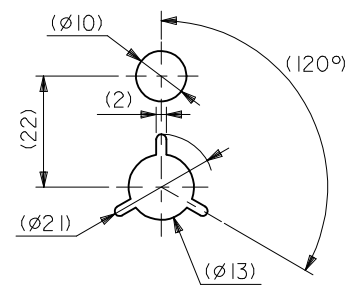


- トップテープの剥離強度：0.1N ~ 0.7N(10.2gf ~ 71.4gf)
(剥離方向は下図参照)

尚、本規格値は出荷時に適用。(但し、輸送時に剥離が発生しないこと。)
PEELING OFF FORCE OF TOP TAPE : 0.1N ~ 0.7N(10.2gf ~ 71.4gf)
(PEELING DIRECTION AS SHOWN IN FOLLOWING FIG.)
THIS REQUIREMENT SHOULD BE APPLIED AT SHIPMENT.
PEEL OFF SHOULD NOT BE ALLOWED , DURING TRANSPORTATION.

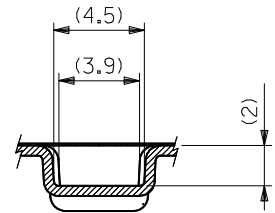
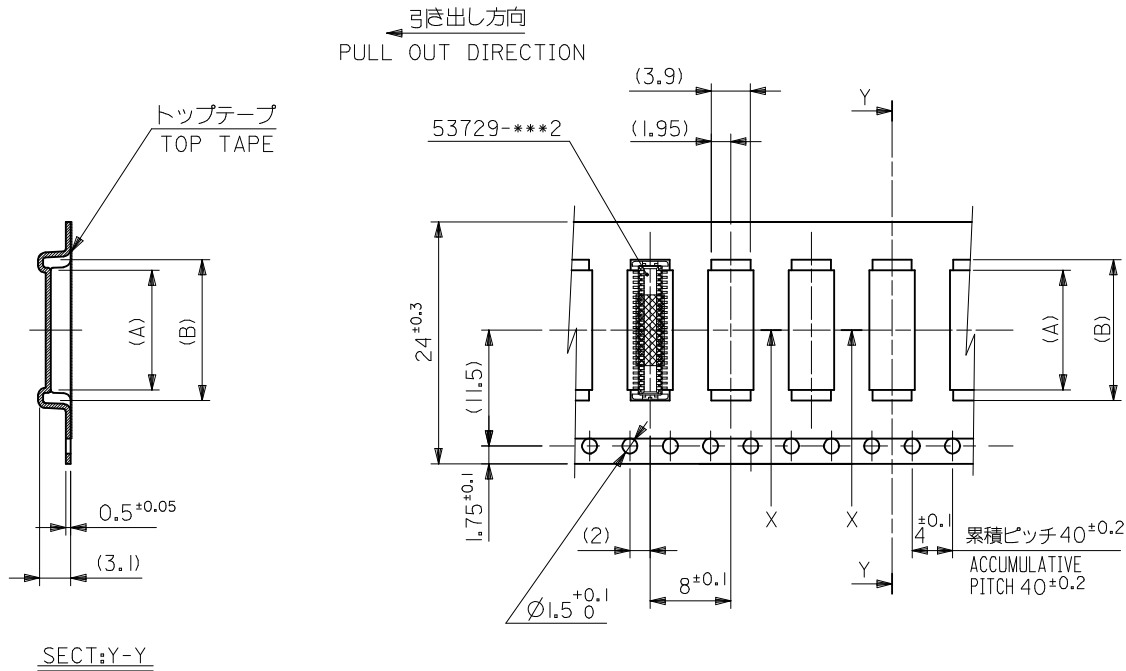


- 材料 (MATERIAL)
キャリアテープ (CARRIER TAPE) : ポリプロピレン (POLYPROPYLENE)
トップテープ (TOPTAPE) : PET , PE , PEF
リール (REEL) : ポリスチレン (P.S) <リサイクル材を含む>
POLYSTYREN(PS) <RECYCLE MATERIAL CONTAINED>



DETAIL "F"

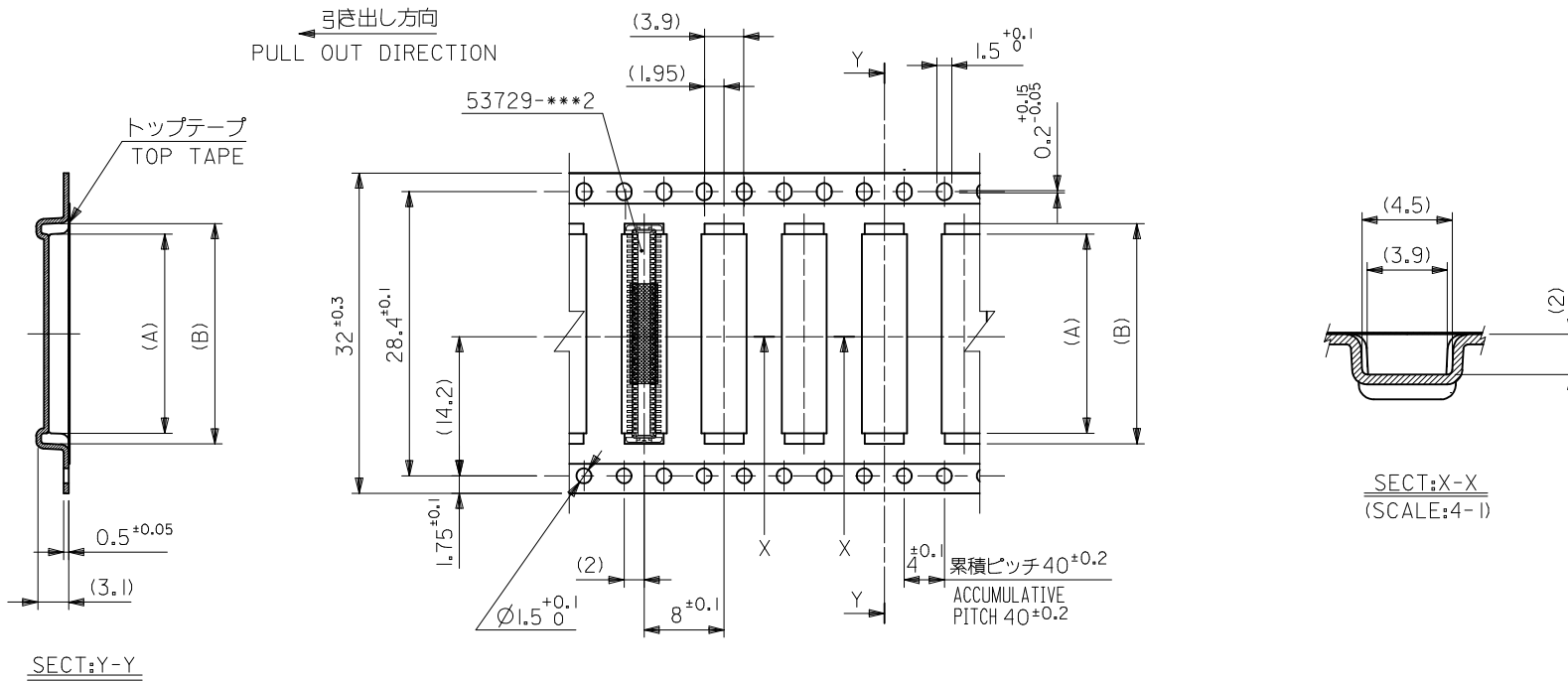
REVISED EC NO: J2009-0155 DRWN:NAKAMURA 2008/07/23 CHKD:T. HARUYAMA 2008/07/23 APPR:NUKITA 2008/11/20	GENERAL TOLERANCES (UNLESS SPECIFIED)		DIMENSION STYLE MM ONLY		SCALE ---	DESIGN UNITS METRIC	THIRD ANGLE PROJECTION	
	10 UNDER	± ---	DRAWN BY T. NIITSU	DATE '96/11/10	TITLE 0.5 BTB PLUG HGT=2 W/O XOSS EMBSTP PKG			
	10 OVER 30 UNDER	± ---	CHECKED BY T. ITO	DATE '01/2/21	MOLEX INCORPORATED			
	30 OVER	± ---	APPROVED BY M. FUKUSHIMA	DATE '01/2/21	DOCUMENT NO. SD-53729-002		SHEET NO. 1 OF 3	
REV	DESCRIPTION	ANGULAR ± --- °	MATERIAL NO. SEE TABLE		THIS DRAWING CONTAINS INFORMATION THAT IS PROPRIETARY TO MOLEX INCORPORATED AND SHOULD NOT BE USED WITHOUT WRITTEN PERMISSION			
DRAFT WHERE APPLICABLE MUST REMAIN WITHIN DIMENSIONS								



24mm幅キャリアテープ
24mm WIDTH CARRIER TAPE

24	25.5	17	14.9	53729-0604	60
		12	9.9	53729-0404	40
キャリアテープ幅 CARRIER TAPE WIDTH	C	(B)	(A)	MATERIAL NO.	種数 CKT.
				MODEL NO.	53729-***4

REVISED EC NO: J2009-0155 DRWN:NAKAMURA 2008/07/23 CHKD:T. HARYAMA 2008/07/23 APPR:NUKITA 2008/11/20	GENERAL TOLERANCES (UNLESS SPECIFIED)		DIMENSION STYLE MM ONLY		SCALE ---	DESIGN UNITS METRIC	THIRD ANGLE PROJECTION
	10 UNDER	±---	DRAWN BY T. NIITSU	DATE '96/11/10	TITLE 0.5 BTB PLUG HGT=2 W/O BOSS EMBSTP PKG		
	10 OVER 30 UNDER	±---	CHECKED BY T. ITO	DATE '01/2/21	APPROVED BY M. FUKUSHIMA '01/2/21		
	30 OVER	±---	MATERIAL NO.		MOLEX INCORPORATED		
ANGULAR ±--- °		DRAFT WHERE APPLICABLE MUST REMAIN WITHIN DIMENSIONS		SEE TABLE		DOCUMENT NO. SD-53729-002	SHEET NO. 2 OF 3
SIZE A3		THIS DRAWING CONTAINS INFORMATION THAT IS PROPRIETARY TO MOLEX INCORPORATED AND SHOULD NOT BE USED WITHOUT WRITTEN PERMISSION					



32mm幅キャリアテープ
32mm WIDTH CARRIER TAPE

32	33.5	22	19.9	53729-0804	80
キャリアテープ幅 CARRIER TAPE WIDTH	C	(B)	(A)	MATERIAL NO.	種数 CKT.
				MODEL NO.	53729-***4

REVISED EC NO: J2009-0155 DRWN:NAKAMURA 2008/07/23 CHKD:T. HARUYAMA 2008/07/23 APPR:NUKITA 2008/11/20	GENERAL TOLERANCES (UNLESS SPECIFIED)		DIMENSION STYLE MM ONLY		SCALE ---	DESIGN UNITS METRIC	THIRD ANGLE PROJECTION
	10 UNDER	±---	DRAWN BY T. NIITSU	DATE '96/11/10	TITLE 0.5 BTB PLUG HGT=2 W/O BOSS EMBSTP PKG		
	10 OVER 30 UNDER	±---	CHECKED BY T. ITO	DATE '01/2/21	APPROVED BY M. FUKUSHIMA '01/2/21		
	30 OVER	±---	MATERIAL NO.		MOLEX INCORPORATED		
ANGULAR ±---°		DRAFT WHERE APPLICABLE MUST REMAIN WITHIN DIMENSIONS		SEE TABLE		DOCUMENT NO. SD-53729-002	SHEET NO. 3 OF 3
				THIS DRAWING CONTAINS INFORMATION THAT IS PROPRIETARY TO MOLEX INCORPORATED AND SHOULD NOT BE USED WITHOUT WRITTEN PERMISSION			