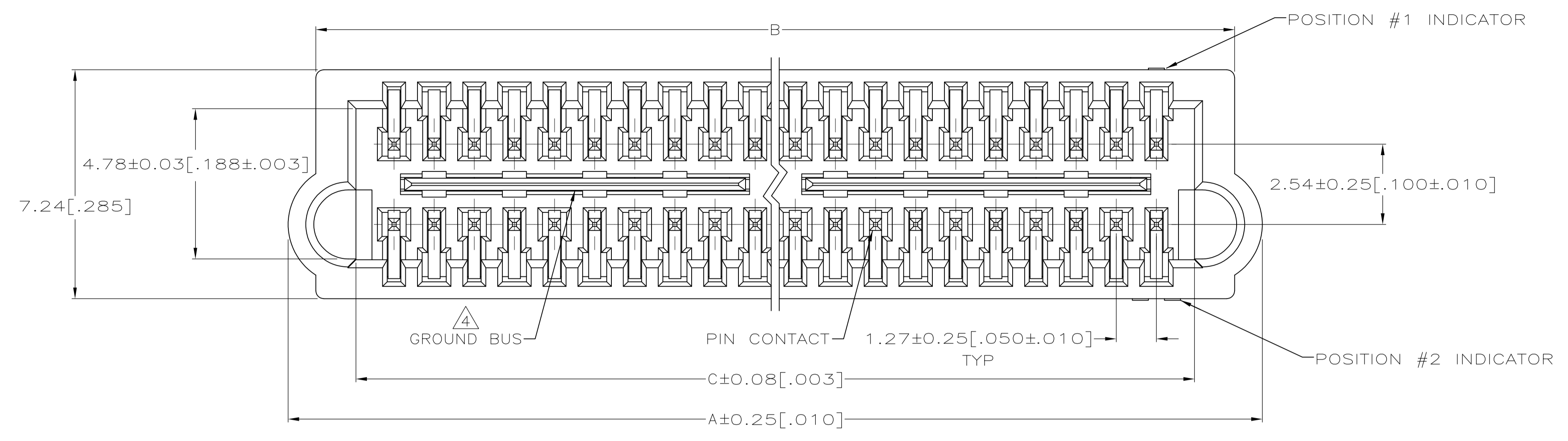
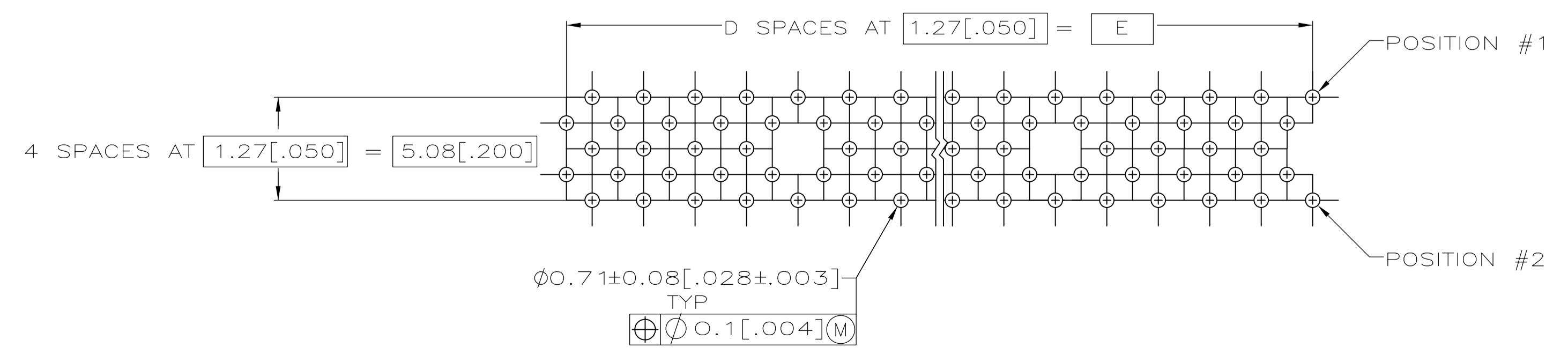
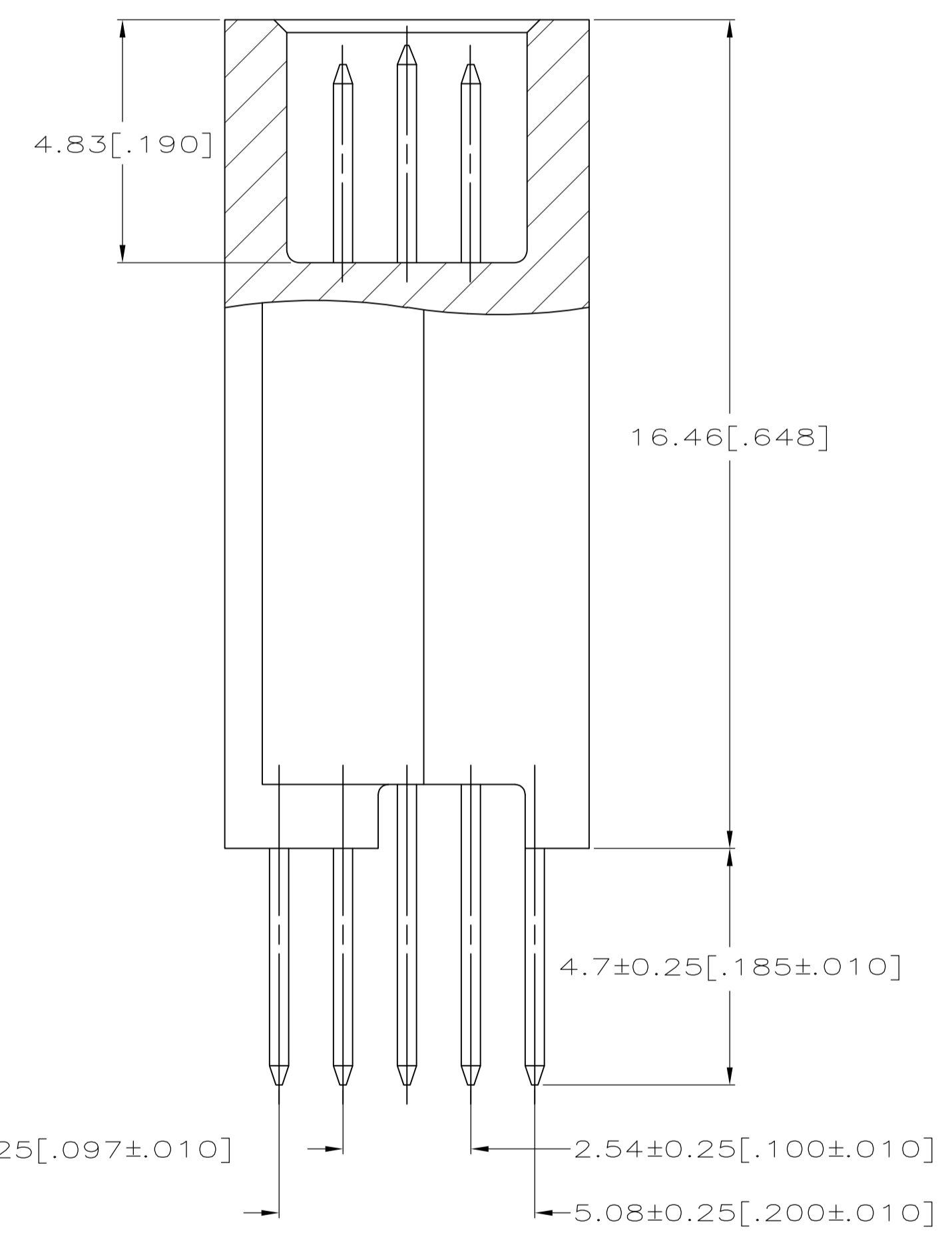
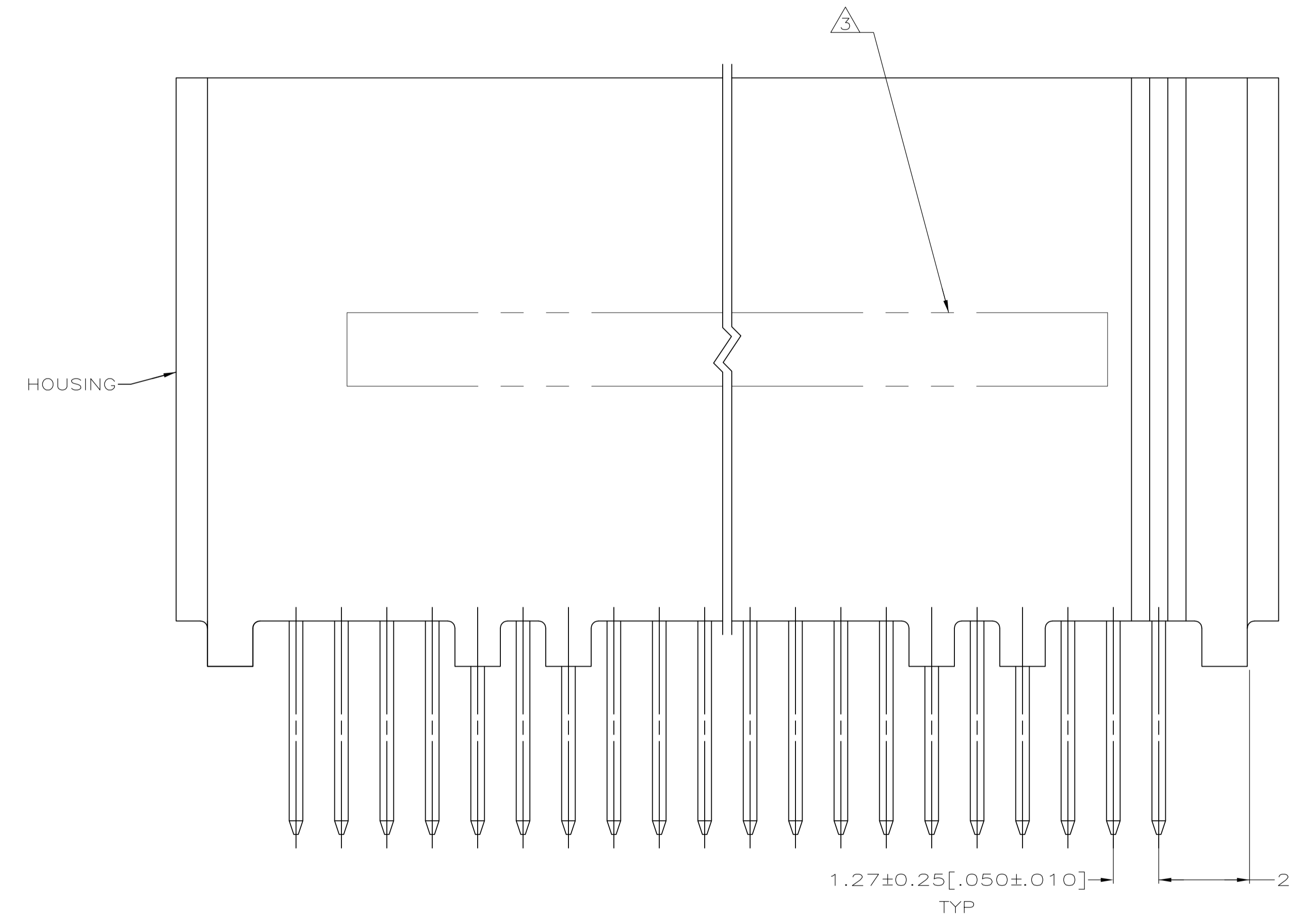


REVISIONS					
P	LTR	DESCRIPTION	DATE	DMN	APVD
B		REVISED PER ECO-16-010704	20JUL2016	SY	SY



- ① HOUSING: HIGH TEMPERATURE THERMOPLASTIC, COLOR NATURAL OR LIGHT NATURAL.  
PIN CONTACTS: PHOSPHOR BRONZE.  
GROUND BUSES: PHOSPHOR BRONZE.
- ② CONTACTS & GROUND BUSES: 0.00076(.000030) MIN. GOLD PER ASTM B 488 ON CONTACT AREA, 0.00254-0.00762(.000100-.000300) MATTE TIN PER ASTM B 545 ON SOLDER TAIL, ALL OVER 0.00127-0.00254(.000050-.000100) MATTE NICKEL PER SAE AMS-QQ-N-290 ON ENTIRE CONTACT.
- ③ AMP AND DATE CODE MARKED IN AREA INDICATED, ON SAME SIDE AS POSITION NUMBER 2 INDICATOR.
- ④ ONE GROUND BUS WITH 4 TAILS PER EACH 20 PIN CONTACTS.



RECOMMENDED PC BOARD HOLE LAYOUT (VIEWED FROM CONNECTOR SIDE)

49.53 [1.950]	39	52.02 [2.048]	54.61 [2.150]	56.24 [2.214]	80	5149012-3
36.83 [1.450]	29	39.32 [1.548]	41.91 [1.650]	43.54 [1.714]	60	5149012-2
24.13 [.950]	19	26.62 [1.048]	29.21 [1.150]	30.84 [1.214]	40	5149012-1
E	D	C	B	A	NO OF POS	PART NUMBER
THIS DRAWING IS A CONTROLLED DOCUMENT.						
DIMENSIONS: mm [INCHES]		TOLERANCES UNLESS OTHERWISE SPECIFIED:		DIN L VARELA - DOCKS 01-19-05 CHK D DIXON 01-19-05 APVD D DIXON 01-19-05 NAME PRODUCT SPEC 108-1272 APPLICATION SPEC 114-11005 WEIGHT 0.000000 CUSTOMER DRAWING		
0 PLC ± - 1 PLC ± - 2 PLC ± - 3 PLC ± 0.13 [.005] 4 PLC ± - ANGLES ± -		FINISH ① ②		SIZE CAE CODE DRAWING NO RESTRICTED TO A1 00779 C=5149012 SCALE 10:1 SHEET 1 OF 1 REV B		