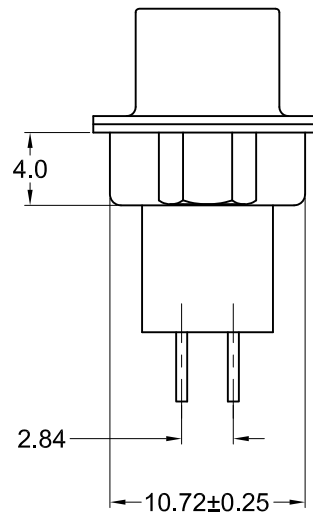
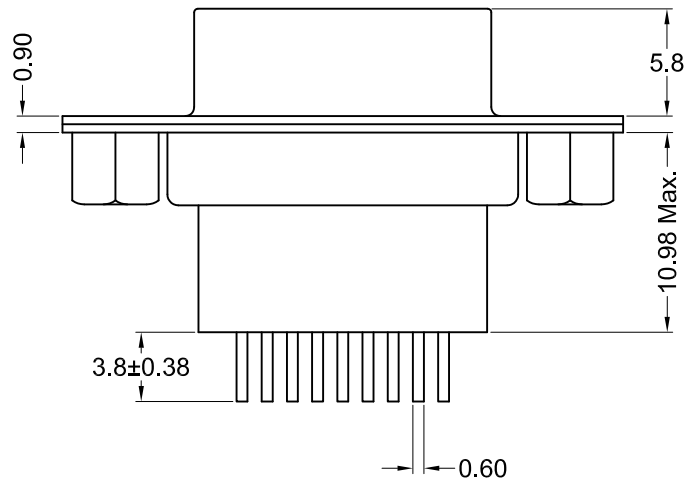
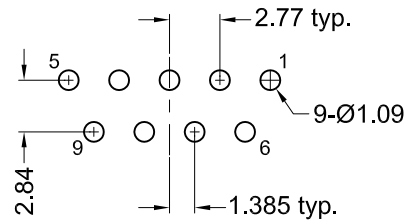


Recommended PCB Layout (Top View)



Material and Finish

Shell: Steel, Nickel plated
 Insulator & Bracket: PBT with glass-fiber reinforcement, UL 94V-0 rated, black color

Contact Material:
 Socket - Phosphor Bronze

Contact Plating Options:
 Standard:
 Gold flash on mating end,
 Tin on termination end,
 with entire contact
 Nickel underplated

15 Option:
 0.000015" Gold on mating end,
 Tin on termination end,
 with entire contact Nickel
 Nickel underplated

30 Option:
 0.000030" Gold on mating end,
 Tin on termination end,
 with entire contact Nickel
 Nickel underplated

Electrical Specifications

Rated Current: 2A
 Rated Voltage: 30V RMS
 Dielectric Withstanding Voltage:
 500 V (r.m.s.) AC for 1 minute
 Insulation Resistance:
 more than 1000 Megohm at
 500 V DC
 Contact Resistance:
 13 milliohm max.
 Operating Temperature:
 -55°C to +105°C

Part Number	Contact Area Plating Finish
K88X-ED-9S-K	Gold Flash (standard option)
K88X-ED-9S-K15	15u" Gold (15 option)
K88X-ED-9S-K30	30u" Gold (30 option)



Tolerances
X.X ± 0.25
X.XX ± 0.15
Unless Stated
Otherwise

REV.	DATE	DESCRIPTION	REV. BY	CHK. BY	DRAWN BY	DATE
A1	9/27/06	New Drawing	H. MA	C. Furumasu	H. MA	9/27/06
A2	1/24/08	ECO# 07-052	WILL H.	H. MA		
A3	12/08/10	ECO# 10-091	S. Vien	H. MA		
A4	12/31/17	ECO #17-035	G. Serrato	C. Furumasu		

K88X-ED-9S-K

Vertical High Profile D-Sub, RoHS Compliant
 9 Position Female, Formed Contacts, Threaded Bushings

