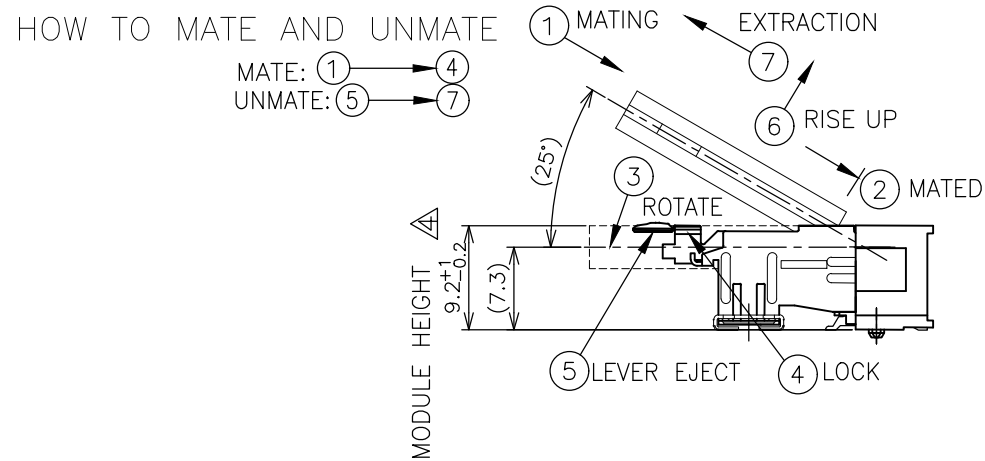
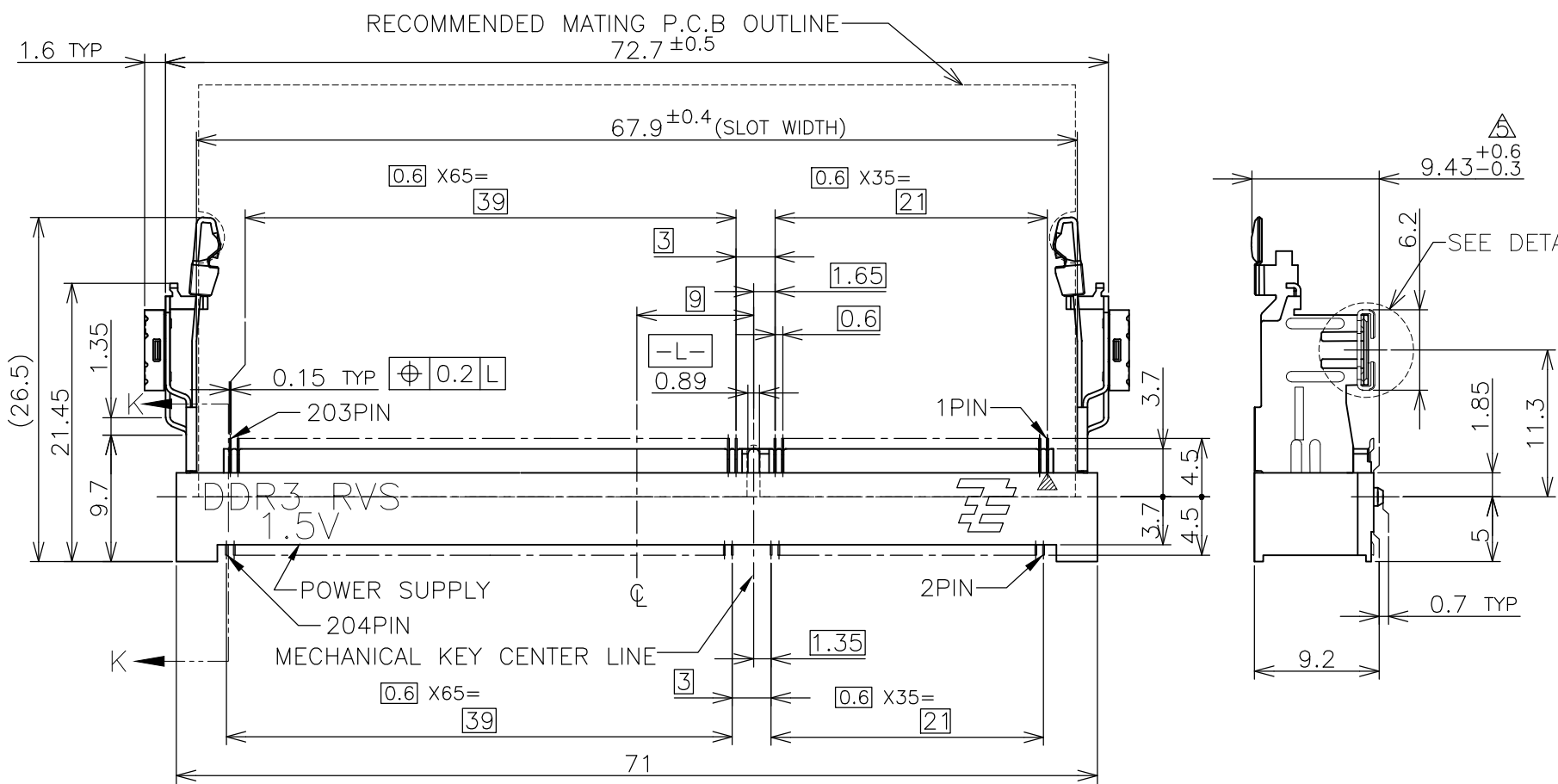
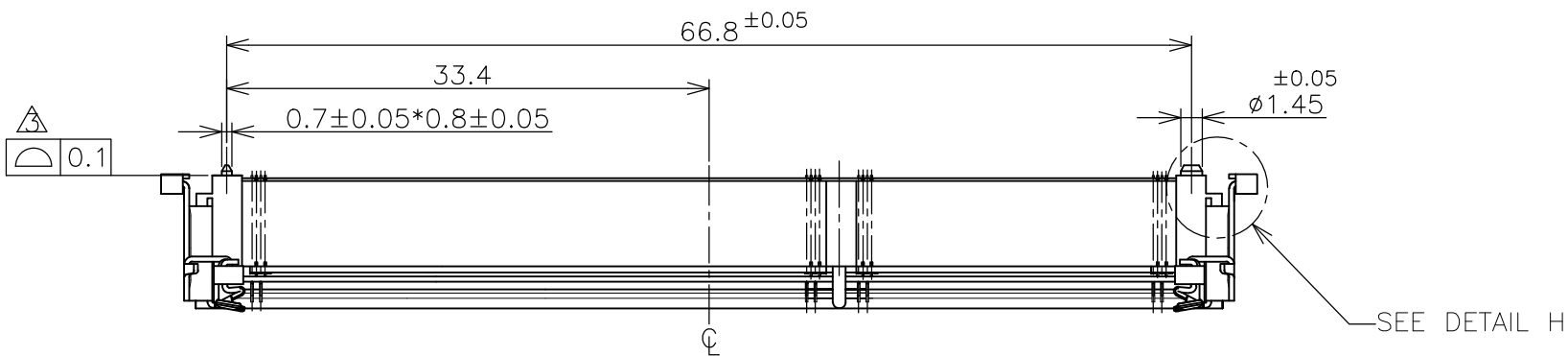
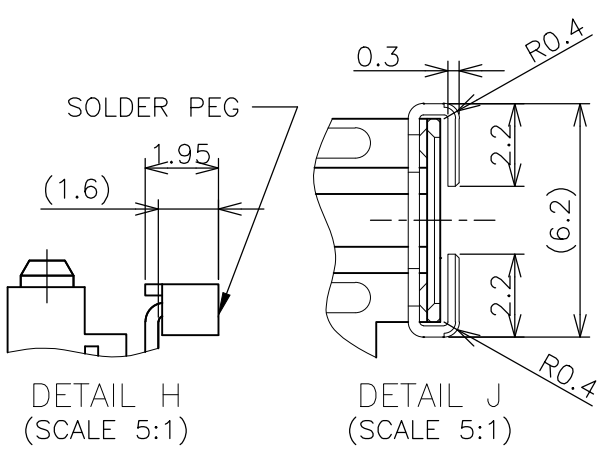
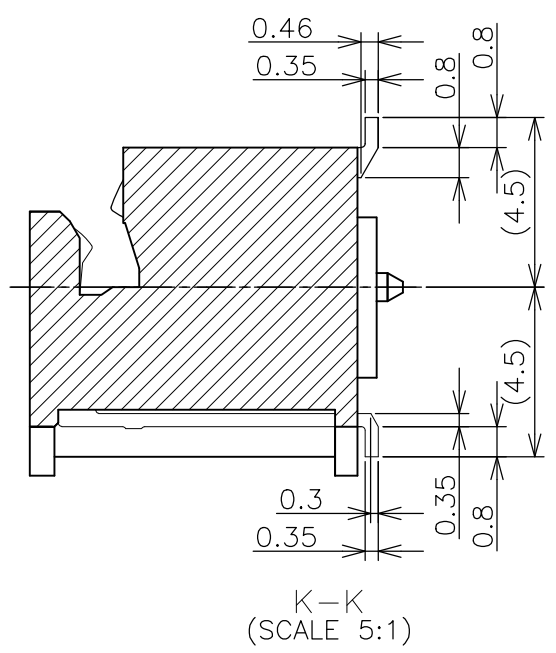


THIS DRAWING IS UNPUBLISHED. RELEASED FOR PUBLICATION . SEP 2007
 © COPYRIGHT 2007 By - ALL RIGHTS RESERVED.

LOC	DIST	REVISIONS			
P	LTR	DESCRIPTION	DATE	DWN	APVD
J	/	D1	REVISED PER ECR-20-005200	08APR2020	D.Z S.L



1. MATERIAL ; HOUSING: HIGH TEMPERATURE THERMO PLASTIC UL94V-0
 COLOR: SEE TABLE
 CONTACT: COPPER ARROY
 LOCK LEVER: STAINLESS STEEL
 PEG: COPPER ARROY
- 2-1. FINISH ; CONTACT AREA: GOLD FLASH
 ALL OVER NICKEL.
 SOLDERING AREA: GOLD FLASH PLATING
 PEG: TIN PLATING.
- 2-2. FINISH ; CONTACT AREA: 0.000254MIN GOLD
 ALL OVER NICKEL.
 SOLDERING AREA: GOLD FLASH PLATING
 PEG: TIN PLATING.
- 2-3. FINISH ; CONTACT AREA: 0.00076MIN GOLD
 ALL OVER NICKEL.
 SOLDERING AREA: GOLD FLASH PLATING
 PEG: TIN PLATING.
- △ COPLANARITY: 0.1 MAX. (BEFORE SOLDERING)
 ▲ THE FLOATING VALUE BY SOLDERING IS NOT INCLUDED.
 △ NOT MATING CONDITION.
6. IF THE MODULE DOESN'T INSERT AND LOCK IN THE LATCH SMOOTHLY,
 OPEN WIDE BOTH LATCHES BY MANUAL. AND THE MODULE MUST BE
 INSERTED AND LOCKED IN THE LATCH.



GENERAL TOLERANCE
 10 ≥ : ±0.2
 30 ≥ >10 : ±0.25
 100 ≥ >30 : ±0.3
 ANGLES : ±3°

THIS DRAWING IS A CONTROLLED DOCUMENT.		DWN T.FUMIKURA 18SEP2007	STE TE Connectivity	
DIMENSIONS: MM		CHK K.IKEGAMI 18SEP2007		
TOLERANCES UNLESS OTHERWISE SPECIFIED:		APVD K.IKEGAMI 18SEP2007	NAME	
0 PLC ±		PRODUCT SPEC	DDR3 SODIMM SOCKET	
1 PLC ±		108-78493	0.6mm PITCH 204POS	
2 PLC ±		APPLICATION SPEC	9.2mm HEIGHT REVERSE TYPE	
3 PLC ±		WEIGHT 6.2g	SIZE A3	RESTRICTED TO
4 PLC ±		CUSTOMER DRAWING	CAGE CODE 00779	DRAWING NO C-2013311
ANGLES ±		SCALE 2:1	SHEET 1 OF 6	REV D1
FINISH ±				

THIS DRAWING IS UNPUBLISHED. RELEASED FOR PUBLICATION .SEP 2007
 © COPYRIGHT 2007 By - ALL RIGHTS RESERVED.

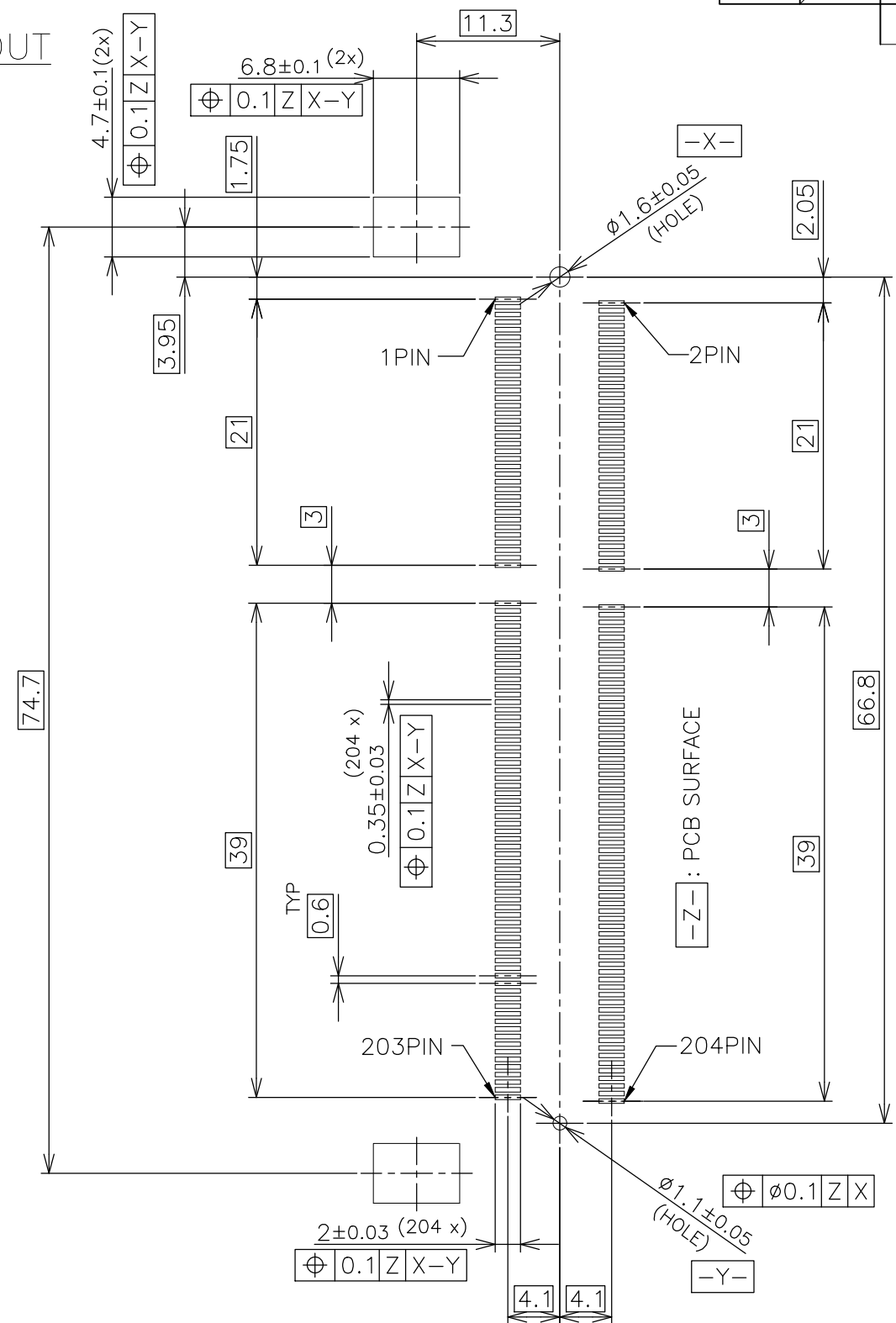
LOC	DIST	REVISIONS					
		P	LTR	DESCRIPTION	DATE	DWN	APVD
J	-	-	-	SEE SHEET 1	-	-	-

TOOLING STATUS	PACKAGING TYPE	REMARK	HOUSING COLOR	FINISH	POWER SUPPLY	POS	PART NO.
AVAILABLE	SEMI-HARD TRAY (SEE SHEET 5)	WITH BOSS	BLACK	NOTE 2-3	1.5V	204	4-2013311-3
AVAILABLE	ENBOSS (SEE SHEET 6)	WITHBOSS	BLACK	NOTE 2-3	1.5V	204	2-2013311-3
AVAILABLE	ENBOSS (SEE SHEET 6)	WITHBOSS	BLACK	NOTE 2-2	1.5V	204	2-2013311-2
AVAILABLE	ENBOSS (SEE SHEET 6)	WITHBOSS	BLACK	NOTE 2-1	1.5V	204	2-2013311-1
AVAILABLE	SEMI-HARD TRAY (SEE SHEET 5)	WITH BOSS	BLACK	NOTE 2-3	1.5V	204	2013311-3
AVAILABLE	SEMI-HARD TRAY (SEE SHEET 5)	WITH BOSS	BLACK	NOTE 2-2	1.5V	204	2013311-2
AVAILABLE	SEMI-HARD TRAY (SEE SHEET 5)	WITH BOSS	BLACK	NOTE 2-1	1.5V	204	2013311-1

THIS DRAWING IS A CONTROLLED DOCUMENT.		DWN	STE TE Connectivity		
DIMENSIONS: MM		CHK			
TOLERANCES UNLESS OTHERWISE SPECIFIED:		APVD	NAME		
0 PLC ± 0.5		PRODUCT SPEC	DDR3 SODIMM SOCKET		
1 PLC ± 0.5		APPLICATION SPEC	0.6mm PITCH 204POS		
2 PLC ± 0.5		WEIGHT	SIZE	CAGE CODE	DRAWING NO
3 PLC ± 0.5		CUSTOMER DRAWING	A3	00779	C-2013311
4 PLC ± 0.5			SCALE	RESTRICTED TO	
ANGLES ± 3'		SCALE	SHEET		REV
MATERIAL		2:1	2 of 6		D1

P	LTR	DESCRIPTION	DATE	DWN	APVD
-	-	SEE SHEET 1	-	-	-

REFERENCE P.C.BOARD PATTERN LAYOUT (CONNECTOR MOUNTING SIDE)

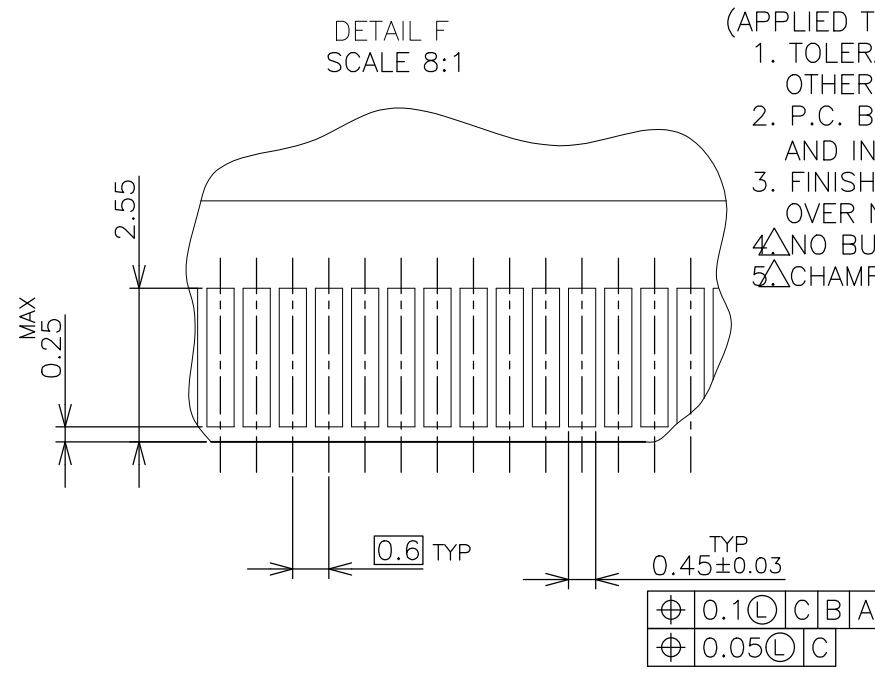
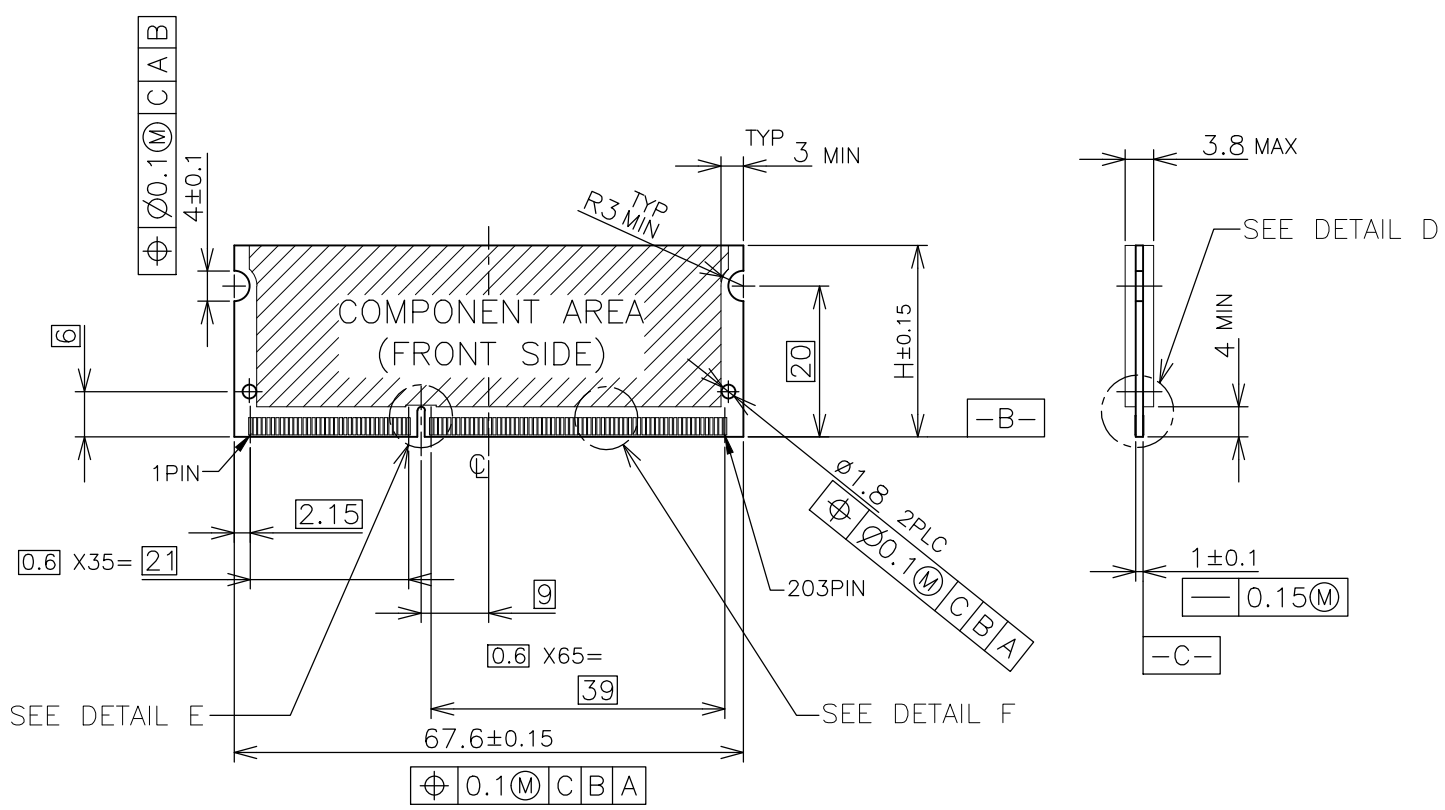


RVS TYPE

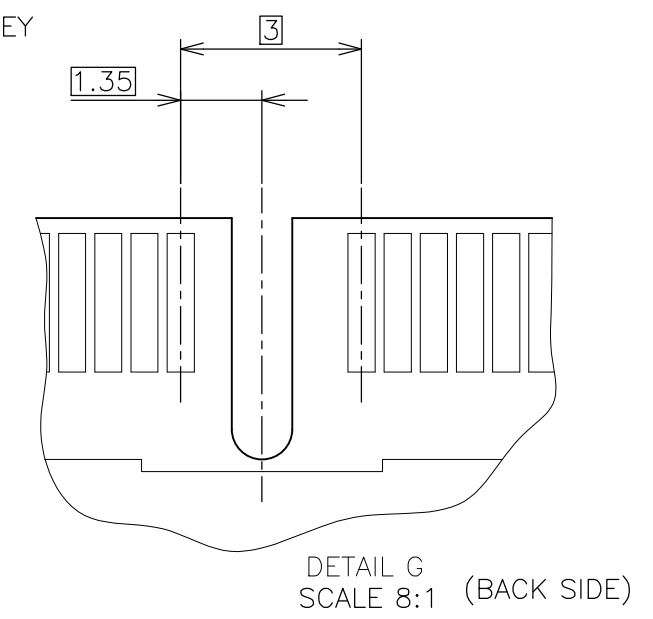
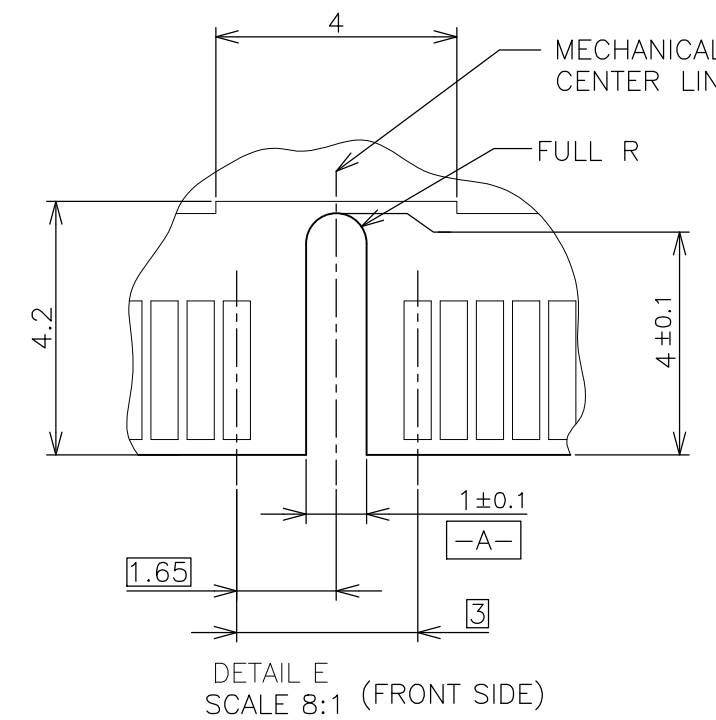
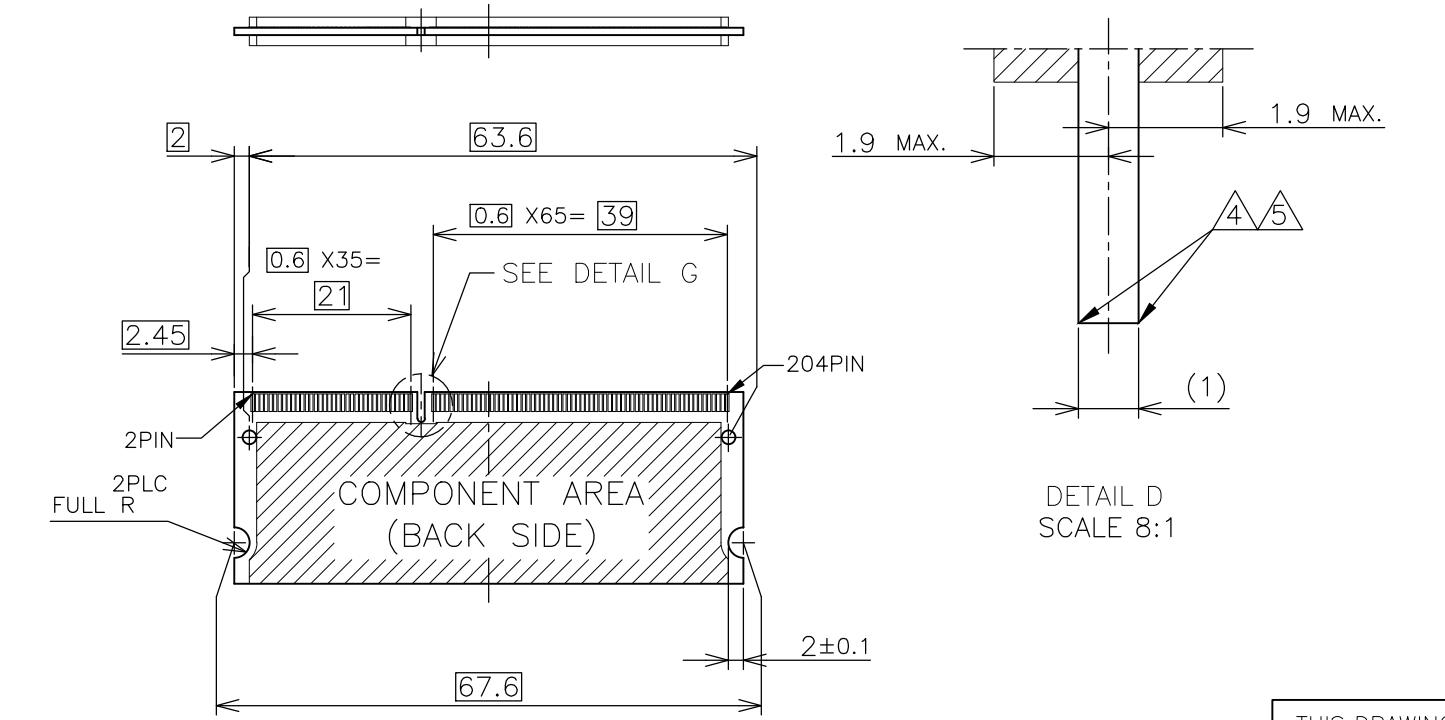
THIS DRAWING IS A CONTROLLED DOCUMENT.		DWN		STE TE Connectivity	
DIMENSIONS: MM		CHK			
TOLERANCES UNLESS OTHERWISE SPECIFIED:		APVD		NAME	
0 PLC ±		PRODUCT SPEC		DDR3 SODIMM SOCKET	
1 PLC ±		APPLICATION SPEC		0.6mm PITCH 204POS	
2 PLC ±		WEIGHT		9.2mm HEIGHT REVERSE TYPE	
3 PLC ±		CUSTOMER DRAWING		SIZE	RESTRICTED TO
4 PLC ±		SCALE 2:1		A3	-
ANGLES ±		SHEET 3 of 6		CAGE CODE	REV
FINISH		DRAWING NO		00779	D1
		SCALE 2:1		C-2013311	

LOC	DIST	REVISIONS					
		P	LTR	DESCRIPTION	DATE	DWN	APVD
J	/	-	-	SEE SHEET 1	-	-	-

REFERENCE MATING P.C.B CONFIGURATION



- (APPLIED TO SHEET 4)
1. TOLERANCES ON ALL DIMENSIONS ±0.15 UNLESS OTHERWISE SPECIFIED.
 2. P.C. BOARD THICKNESS APPLIES ACROSS TABS AND INCLUDES PLATING AND/OR METALIZATION.
 3. FINISH OF PAD : GOLD PLATING 0.00076 MIN. OVER Ni PLATING 0.002MIN.
 4. NO BURR
 5. CHAMFER 0.25 MAX x 45° IF EXIST.

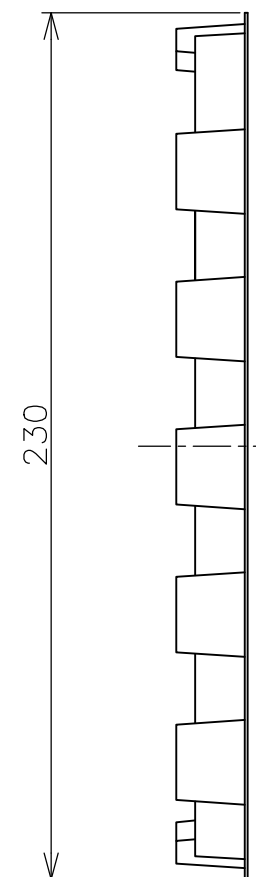
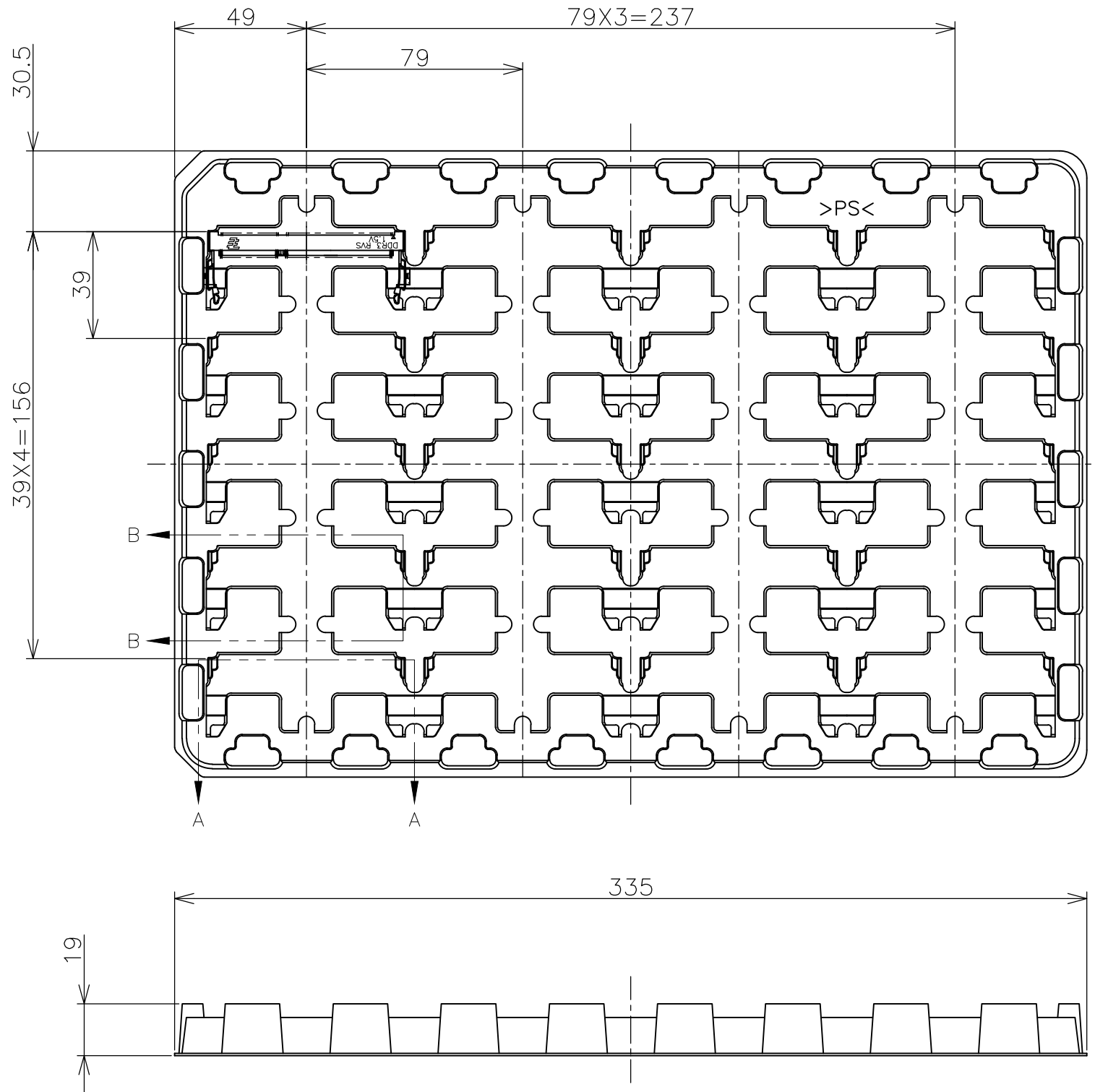


30	CA
31.75	BA
25.4	AA
H	SDRAM VARIATIONS

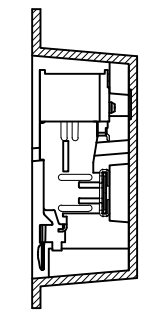
THIS DRAWING IS A CONTROLLED DOCUMENT.		DWN	TE Connectivity NAME DDR3 SODIMM SOCKET 0.6mm PITCH 204POS 9.2mm HEIGHT REVERSE TYPE				
DIMENSIONS: MM		CHK					
TOLERANCES UNLESS OTHERWISE SPECIFIED:		APVD					
0 PLC ± 1 PLC ± 2 PLC ± 3 PLC ± 4 PLC ± ANGLES ± MATERIAL FINISH ±		PRODUCT SPEC					
MATERIAL		APVD	APPLICATION SPEC	SIZE	CAGE CODE	DRAWING NO	RESTRICTED TO
		WEIGHT	A300779		C-2013311		
CUSTOMER DRAWING			SCALE	2:1	SHEET	4 OF 6	REV
							D1

THIS DRAWING IS UNPUBLISHED. RELEASED FOR PUBLICATION .SEP 2007
 © COPYRIGHT 2007 By - ALL RIGHTS RESERVED.

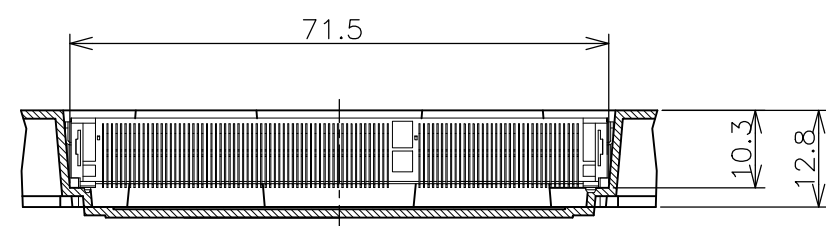
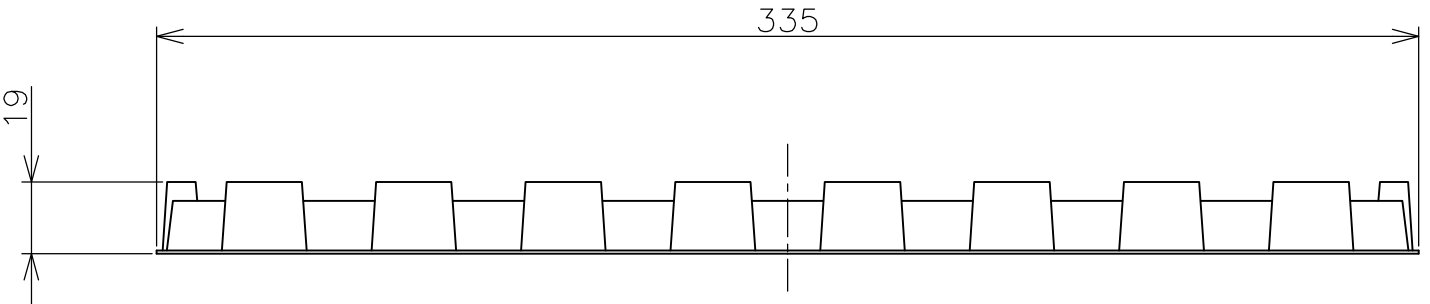
LOC	DIST	REVISIONS			
P	LTR	DESCRIPTION	DATE	DWN	APVD
J	/	SEE SHEET 1	-	-	-



(APPLIED TO SHEET 5)
 1. THE DIRECTION OF EACH CONNECTOR ON A TRAY IS REFERRED TO THIS DRAWING.
 2. GENERAL TOLERANCE: ±0.5, ±3°



B-B
 SCALE 1:1



A-A
 SCALE 1:1
 (180DEG. ROTATE)

200EA/BOX	20EA/TRAY	*-2013311-*
QTY/BOX	QTY/TRAY	PART NO.

THIS DRAWING IS A CONTROLLED DOCUMENT.		DWN	STE TE Connectivity		
DIMENSIONS: MM		CHK			
TOLERANCES UNLESS OTHERWISE SPECIFIED:		APVD	NAME		
0 PLC ± 0.5		PRODUCT SPEC	DDR3 SODIMM SOCKET		
1 PLC ± 0.5		APPLICATION SPEC	0.6mm PITCH 204POS		
2 PLC ± 0.5		WEIGHT	SIZE	CAGE CODE	DRAWING NO
3 PLC ± 0.5		CUSTOMER DRAWING	A3	00779	C-2013311
4 PLC ± 0.5			SCALE	SHEET	REV
ANGLES ± 3°			1:2	5 of 6	D1
MATERIAL		FINISH	RESTRICTED TO		

4

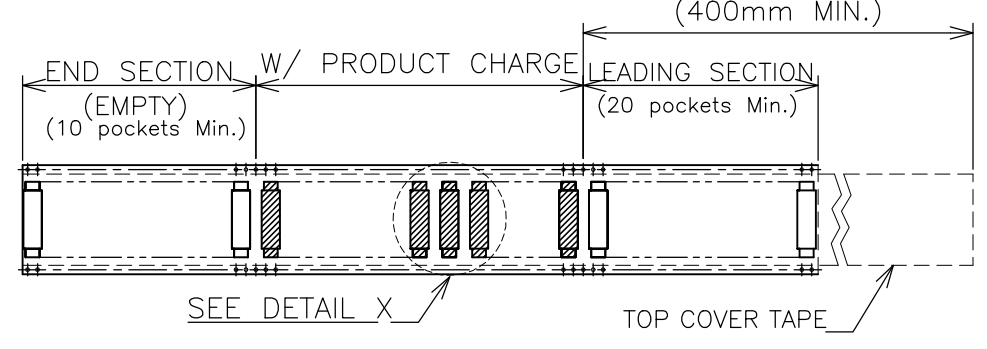
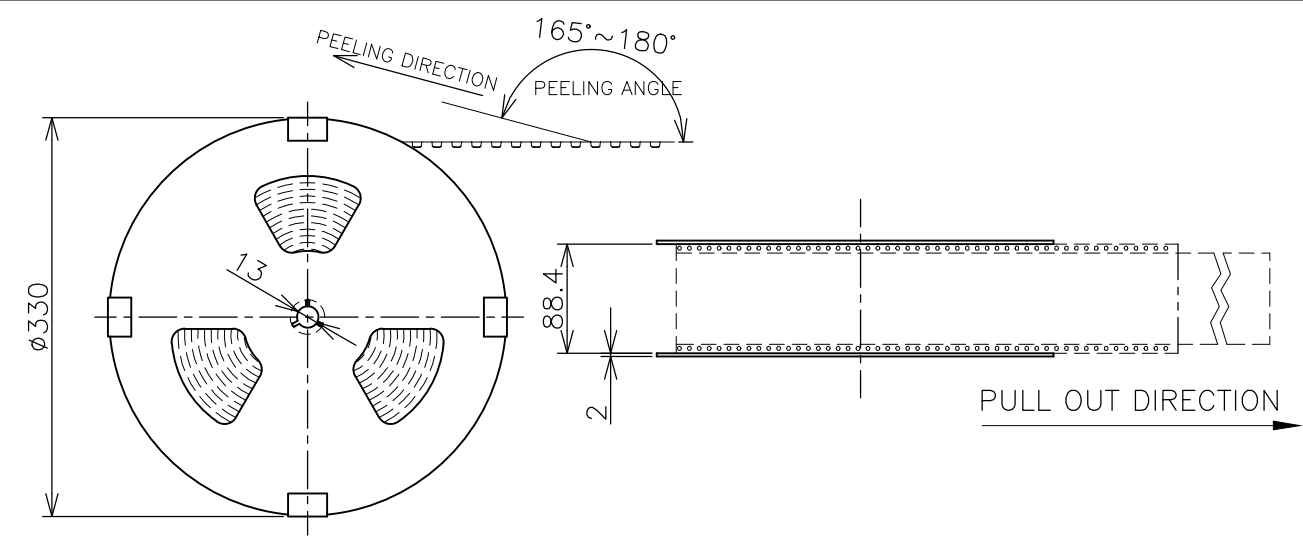
3

2

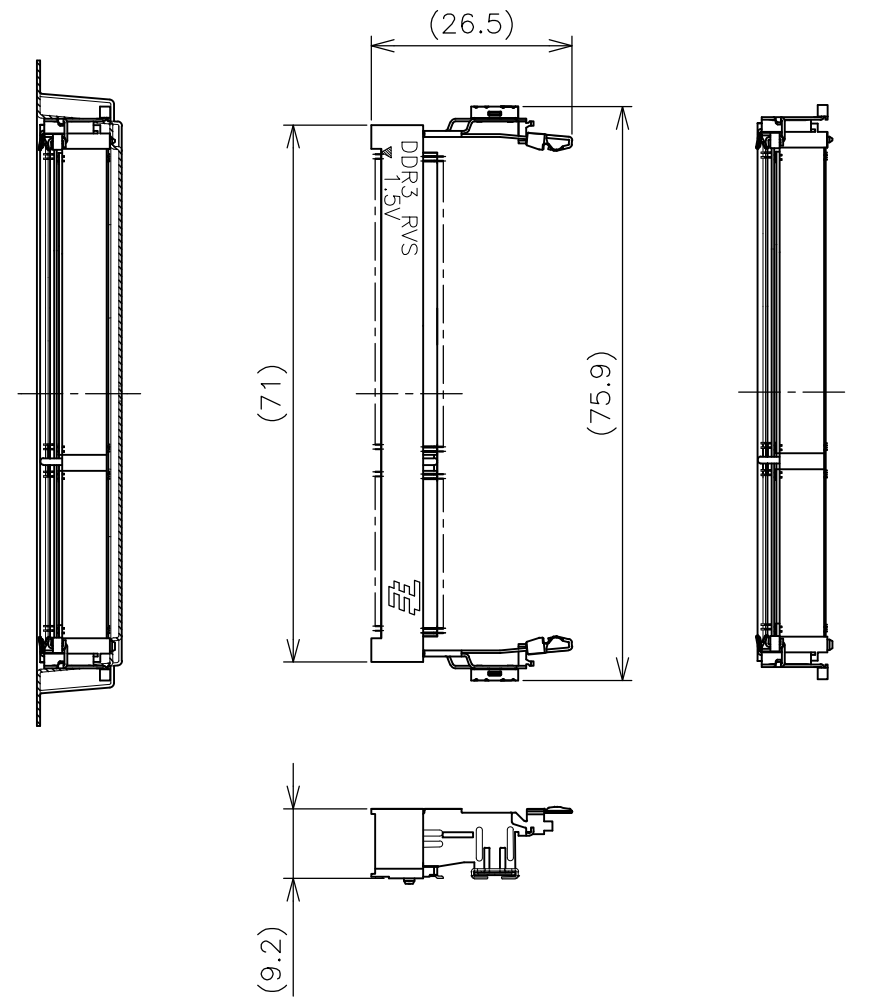
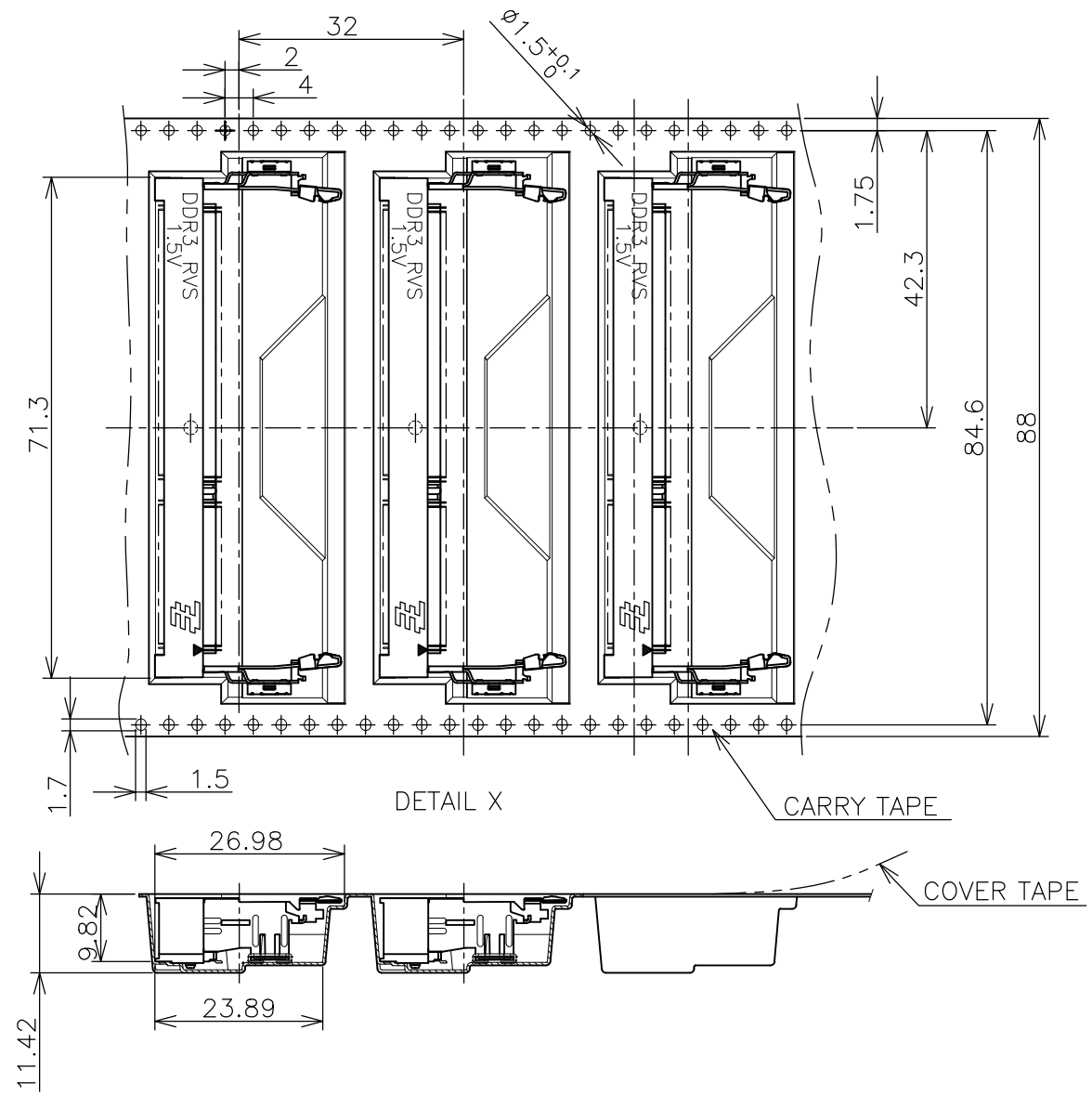
1

THIS DRAWING IS UNPUBLISHED. RELEASED FOR PUBLICATION .SEP 2007
 © COPYRIGHT 2007 By - ALL RIGHTS RESERVED.

LOC	DIST	REVISIONS					
J	/	P	LTR	DESCRIPTION	DATE	DWN	APVD
		-		SEE SHEET 1	-	-	-



- (APPLIED TO SHEET 6)
1. THE DIRECTION OF EACH CONNECTOR ON A EMBOSS IS REFERRED TO THIS DRAWING.
 2. GENERAL TOLERANCE: ± 0.5 , $\pm 3^\circ$



150EA	*-2013311-*
QTY/REEL	PART NO.

THIS DRAWING IS A CONTROLLED DOCUMENT.		DWN		TE Connectivity	
DIMENSIONS: MM		CHK			
TOLERANCES UNLESS OTHERWISE SPECIFIED:		APVD		NAME	
0 PLC ± 0.5 1 PLC ± 0.5 2 PLC ± 0.5 3 PLC ± 0.5 4 PLC ± 0.5 ANGLES $\pm 3^\circ$		PRODUCT SPEC		DDR3 SODIMM SOCKET 0.6mm PITCH 204POS 9.2mm HEIGHT REVERSE TYPE	
MATERIAL		FINISH		RESTRICTED TO	
		APVD		SIZE	
		PRODUCT SPEC		CAGE CODE	
		APPLICATION SPEC		DRAWING NO	
		WEIGHT		A3 00779 C-2013311	
		CUSTOMER DRAWING		SCALE 1:2	
				SHEET 6 OF 6	
				REV D1	