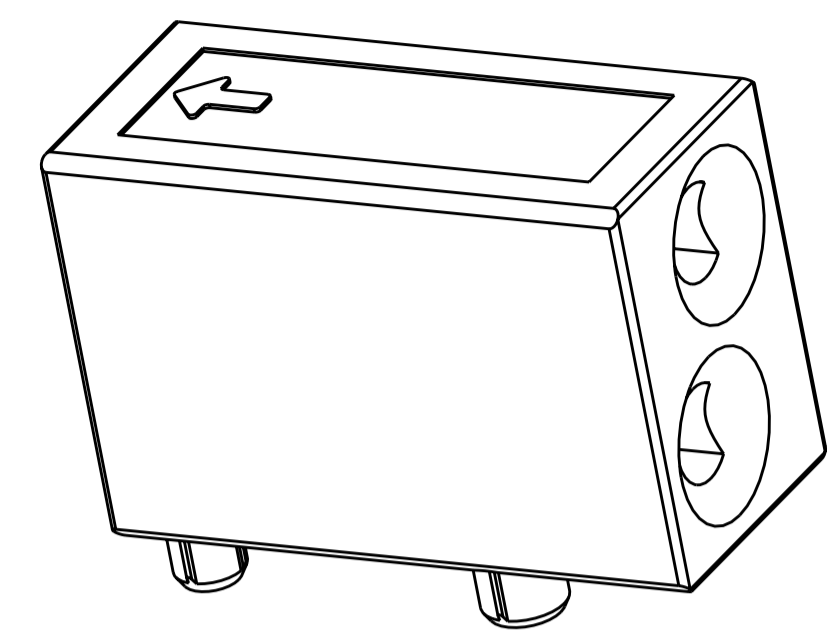
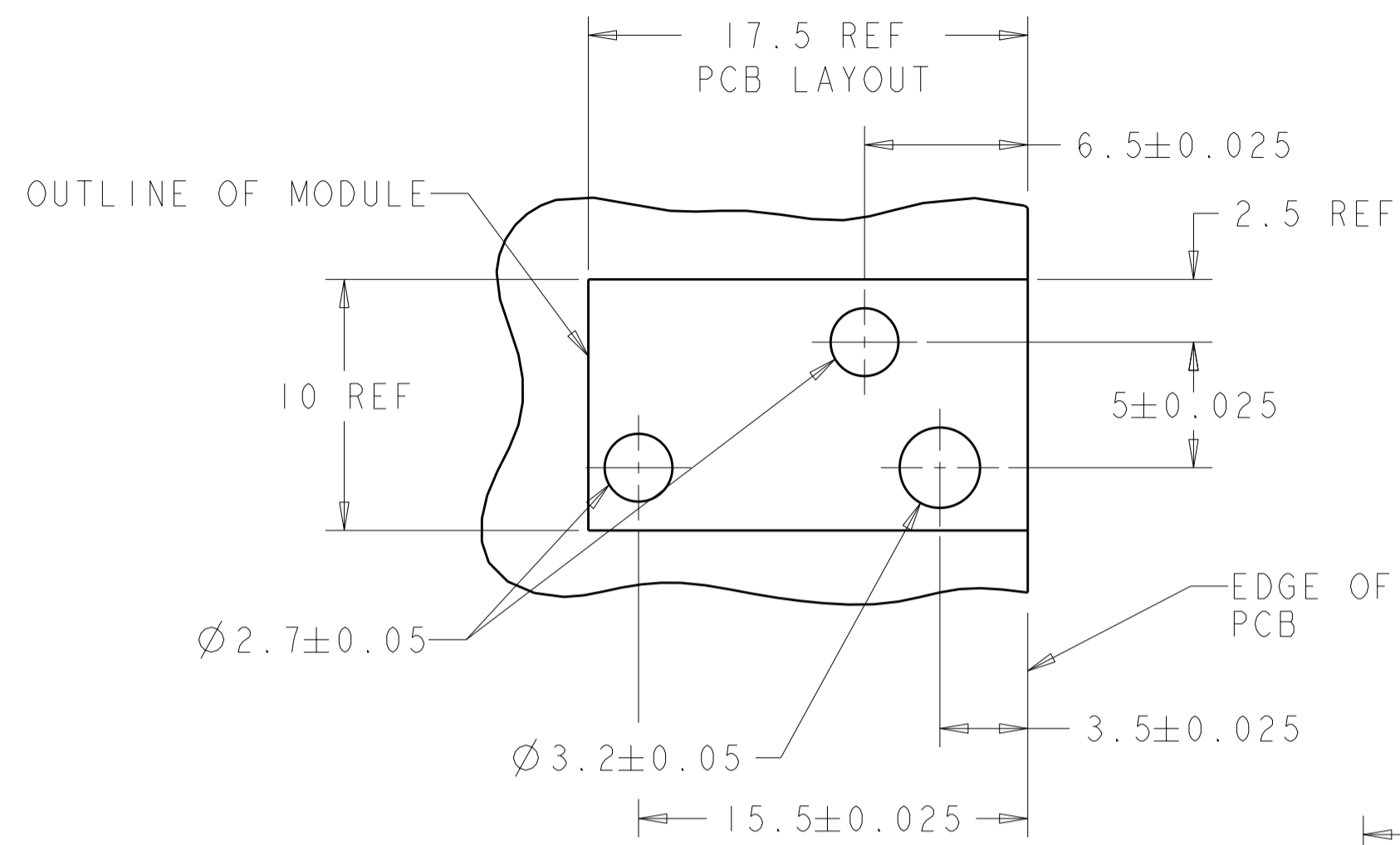
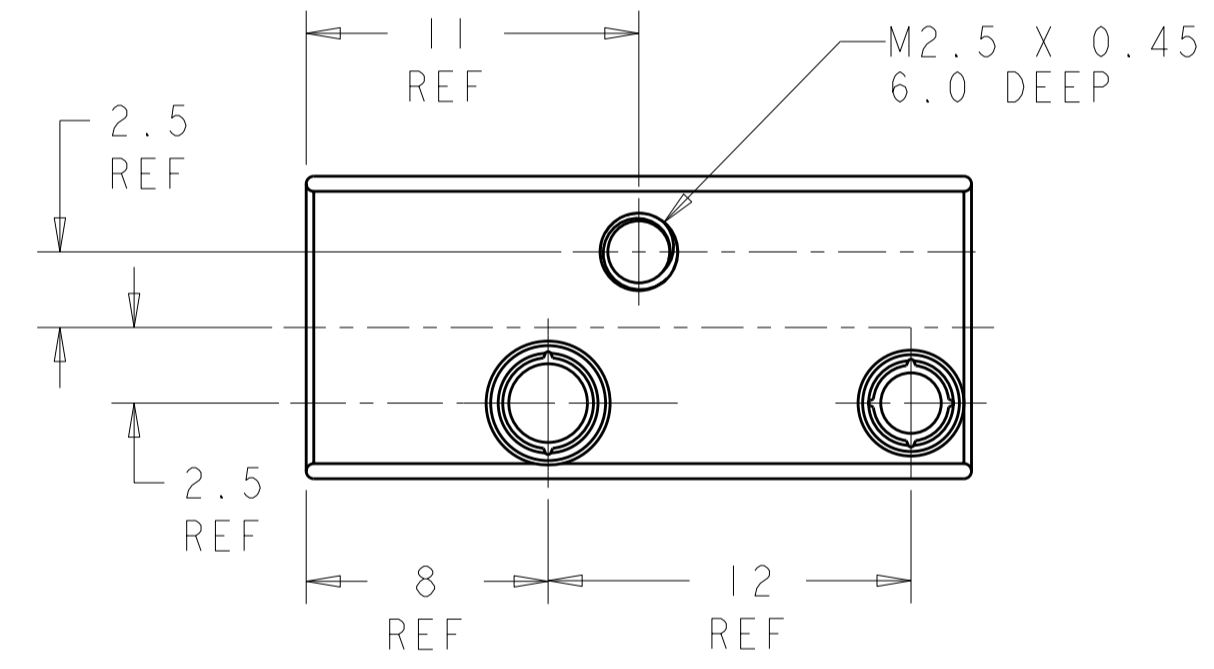
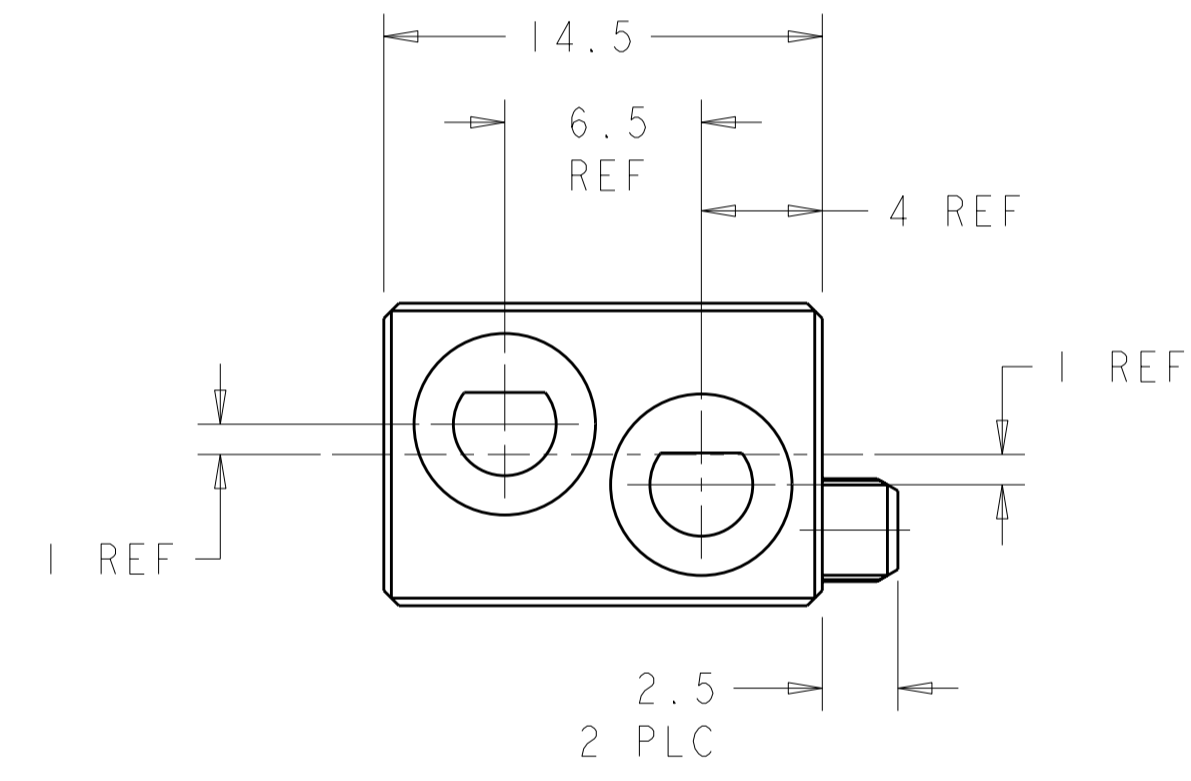
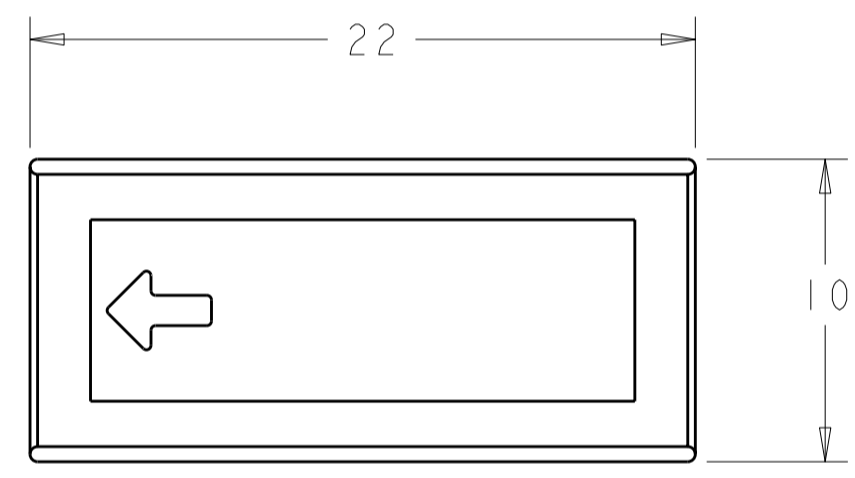


THIS DRAWING IS UNPUBLISHED. RELEASED FOR PUBLICATION 20
 © COPYRIGHT 20 BY TYCO ELECTRONICS CORPORATION. ALL RIGHTS RESERVED.

LOC	DIST	REVISIONS			
P	LTR	DESCRIPTION	DATE	DWN	APVD
	O	RELEASED	14FEB2006	BC	RP
	A	REV PER ECO-08-000400	11JAN2008	BC	RP



1. RECOMMENDED MOUNTING HARDWARE- M2.5 X 0.45 SCREW, 7.0MM LONG UP TO 2.9 MM THICK PCB, 8.0MM LONG FOR 3.0 TO 4.0 MM THICK PCB, 10.0MM FOR 4.1 TO 6.0MM THICK PCB, 12.0MM FOR 6.1 TO 8.0MM THICK PCB. (HARDWARE NOT SUPPLIED WITH PART NUMBER)

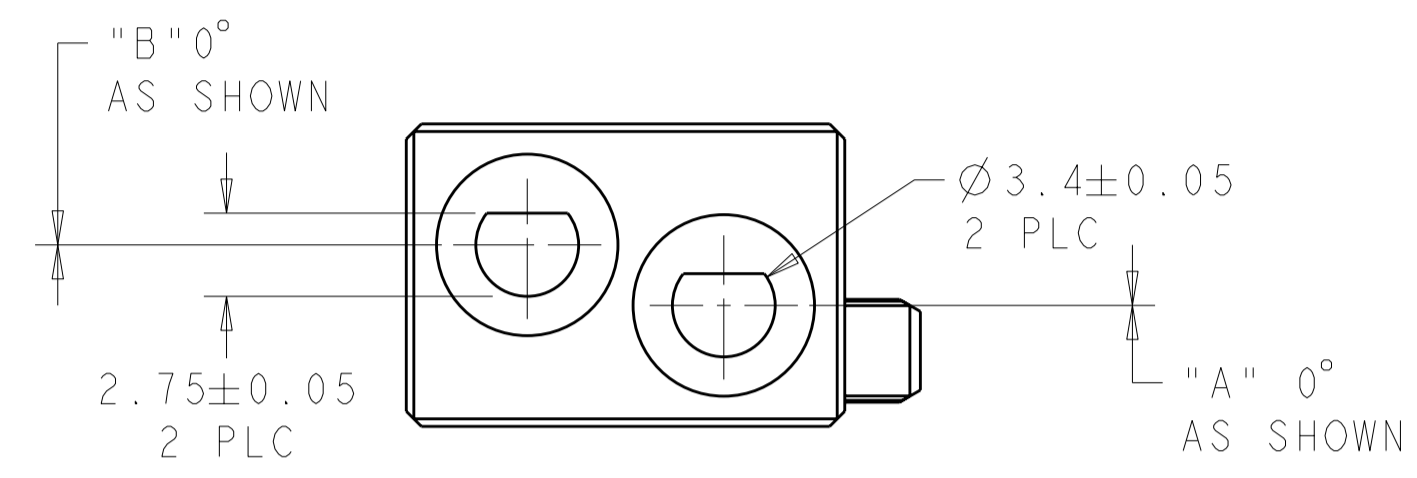


N/A	N/A	UNKEYED	9-1469958-9
225°	315°	6 8	6-1469958-8
180°	180°	5 5	5-1469958-5
135°	45°	4 2	4-1469958-2
90°	270°	3 7	3-1469958-7
0°	0°	1 1	1-1469958-1
"A"	"B"	KEYING POS	PART NUMBER

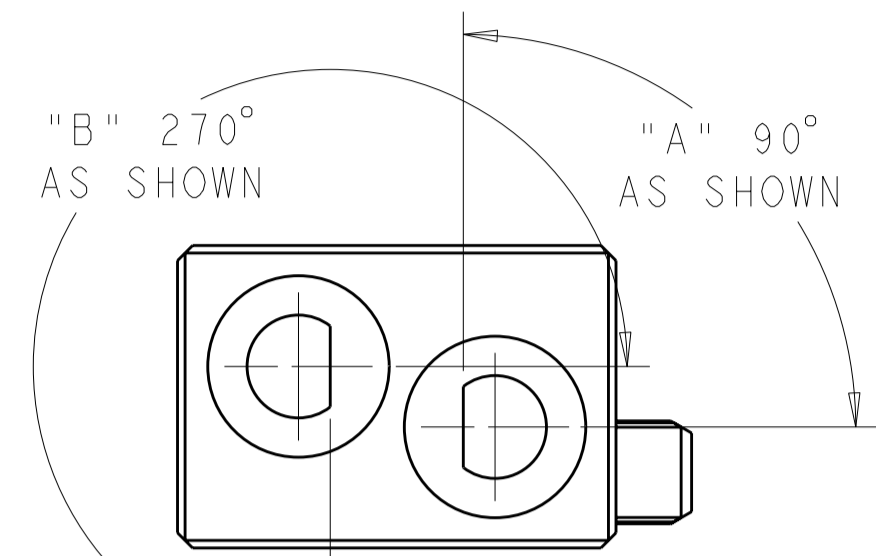
THIS DRAWING IS A CONTROLLED DOCUMENT FOR TYCO ELECTRONICS CORPORATION. IT IS SUBJECT TO CHANGE AND THE CONTROLLING ENGINEERING ORGANIZATION SHOULD BE CONTACTED FOR THE LATEST REVISION.		DWN B. CARBO 14FEB2006	Tyco Electronics Harrisburg, PA 17105-3608	
DIMENSIONS: mm		CHK R. PATERSON 14FEB2006	NAME ATCA GUIDE MODULE (FRONT BOARD - K1/K2)	
TOLERANCES UNLESS OTHERWISE SPECIFIED: 0 PLC ±0.2 1 PLC ±0.5 2 PLC ±0.13 3 PLC ±0.013 4 PLC ±0.0001 ANGLES ±0.5 FINISH		APVD R. PATERSON 14FEB2006	RESTRICTED TO	
MATERIAL ZAMAK 3		PRODUCT SPEC -	SIZE A2	CAGE CODE 00779
NICKEL		APPLICATION SPEC -	DRAWING NO 1469958	REV A
CUSTOMER DRAWING		WEIGHT -	SCALE 2:1	SHEET 1 OF 2

THIS DRAWING IS UNPUBLISHED. RELEASED FOR PUBLICATION 20
 © COPYRIGHT 20 BY TYCO ELECTRONICS CORPORATION. ALL RIGHTS RESERVED.

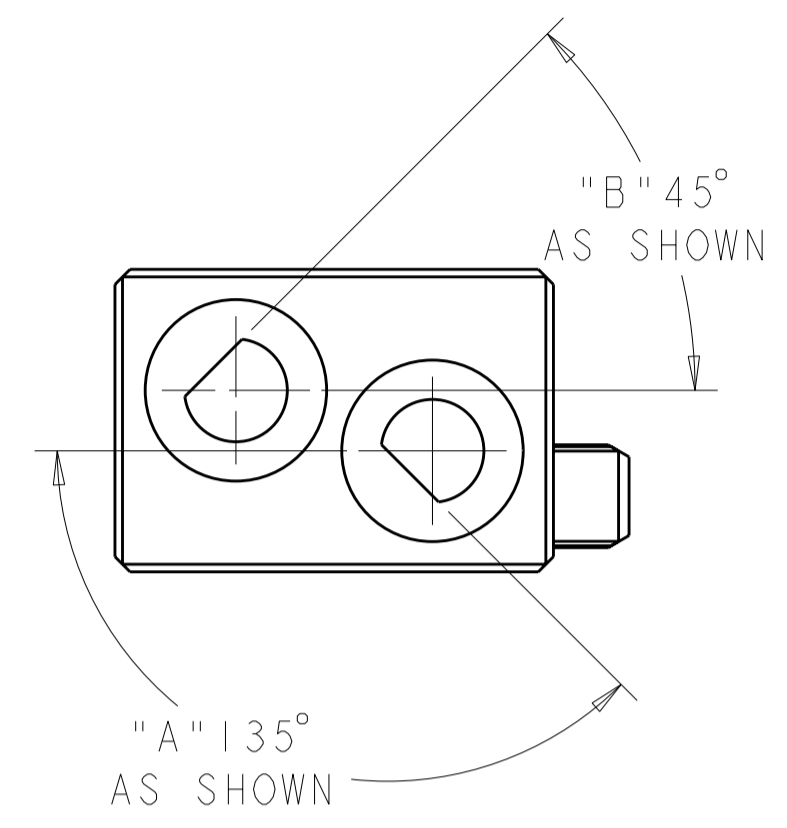
LOC	DIST	REVISIONS				
P	LTR	DESCRIPTION	DATE	DWN	APVD	
AD	00	SEE SHEET 1				



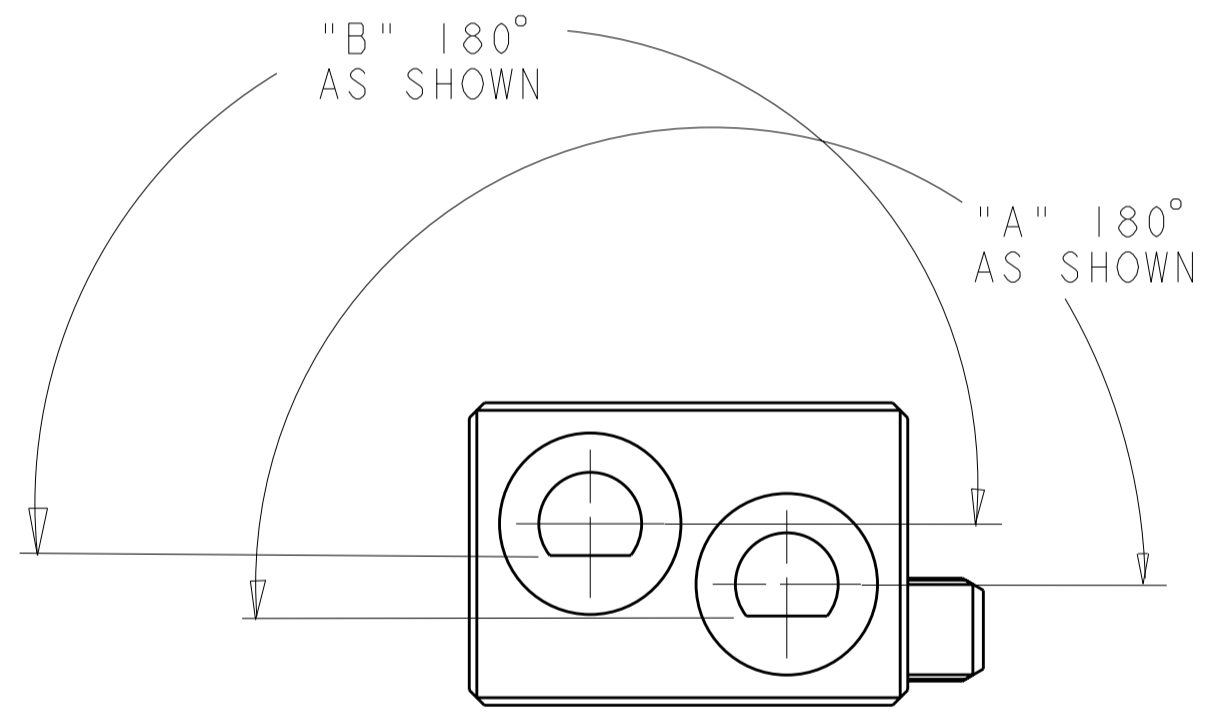
1-1469958-1



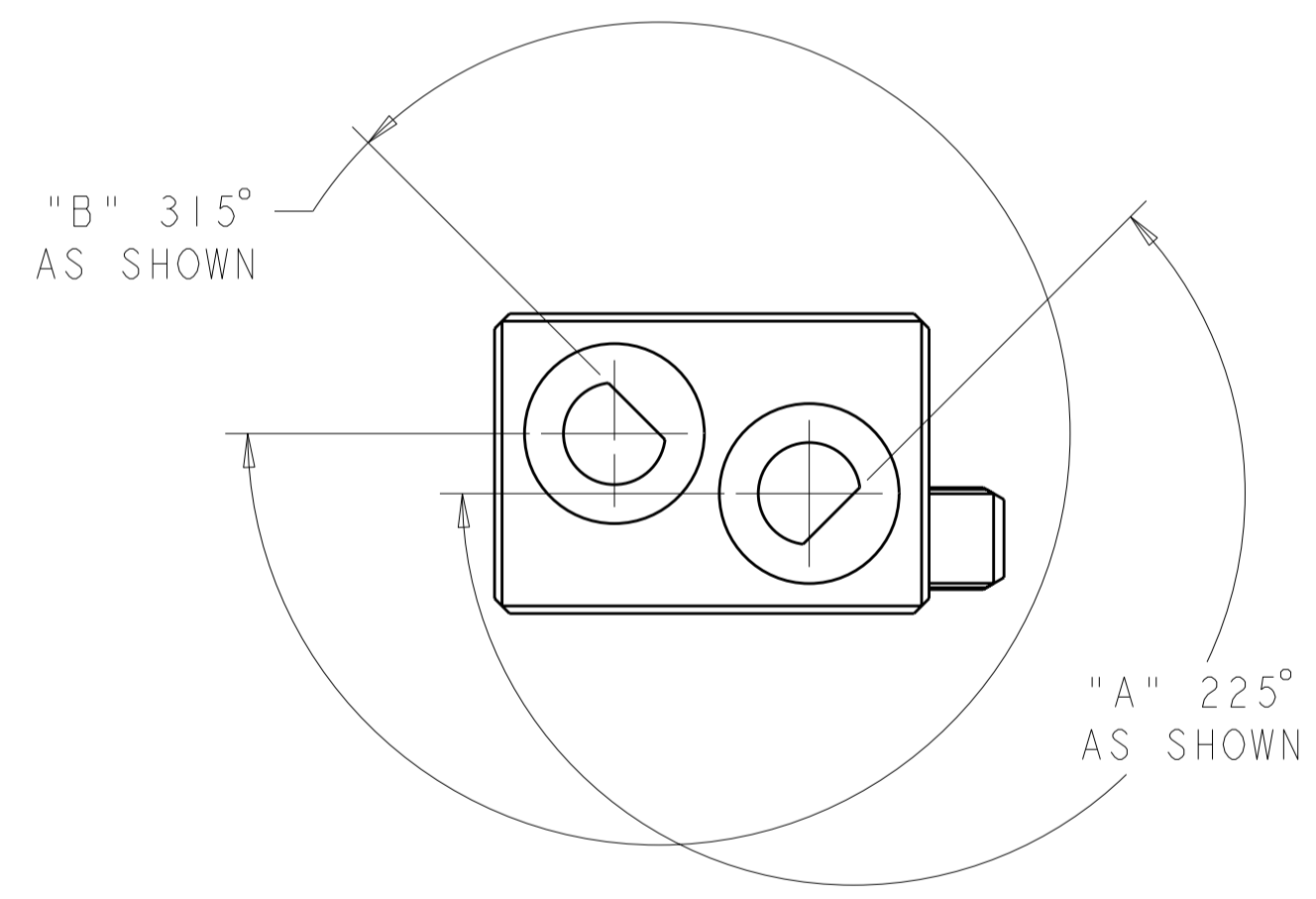
3-1469958-7



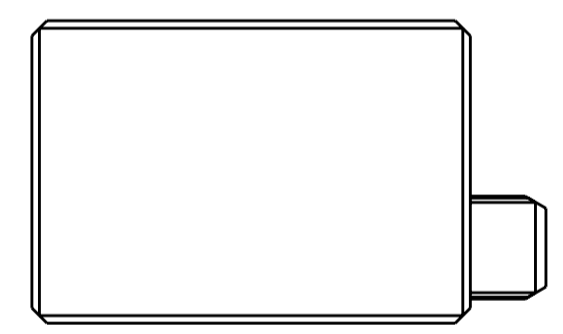
4-1469958-2



5-1469958-5



6-1469958-8



9-1469958-9

THIS DRAWING IS A CONTROLLED DOCUMENT FOR TYCO ELECTRONICS CORPORATION. IT IS SUBJECT TO CHANGE AND THE CONTROLLING ENGINEERING ORGANIZATION SHOULD BE CONTACTED FOR THE LATEST REVISION.		DWN B. CARBO 14FEB2006	Tyco Electronics Harrisburg, PA 17105-3608	
DIMENSIONS: mm		CHK R. PATTERSON 14FEB2006	NAME ATCA GUIDE MODULE (FRONT BOARD - K1/K2)	
TOLERANCES UNLESS OTHERWISE SPECIFIED: 0 PLC ±0.2 1 PLC ±0.5 2 PLC ±0.13 3 PLC ±0.013 4 PLC ±0.0001 ANGLES ±0.5		APVD R. PATTERSON 14FEB2006	RESTRICTED TO	
MATERIAL ZAMAK 3		PRODUCT SPEC -	SIZE A2	CAGE CODE 00779
FINISH NICKEL		APPLICATION SPEC -	DRAWING NO 1469958	REV A
		WEIGHT -	SCALE 2:1	SHEET 2 OF 2
		CUSTOMER DRAWING		