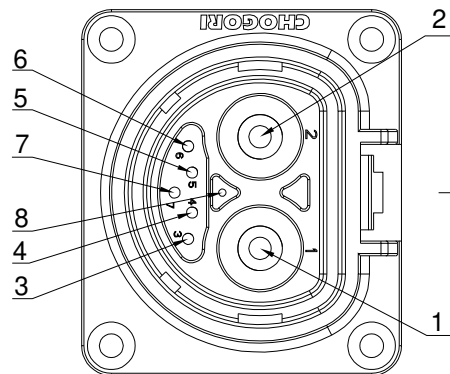


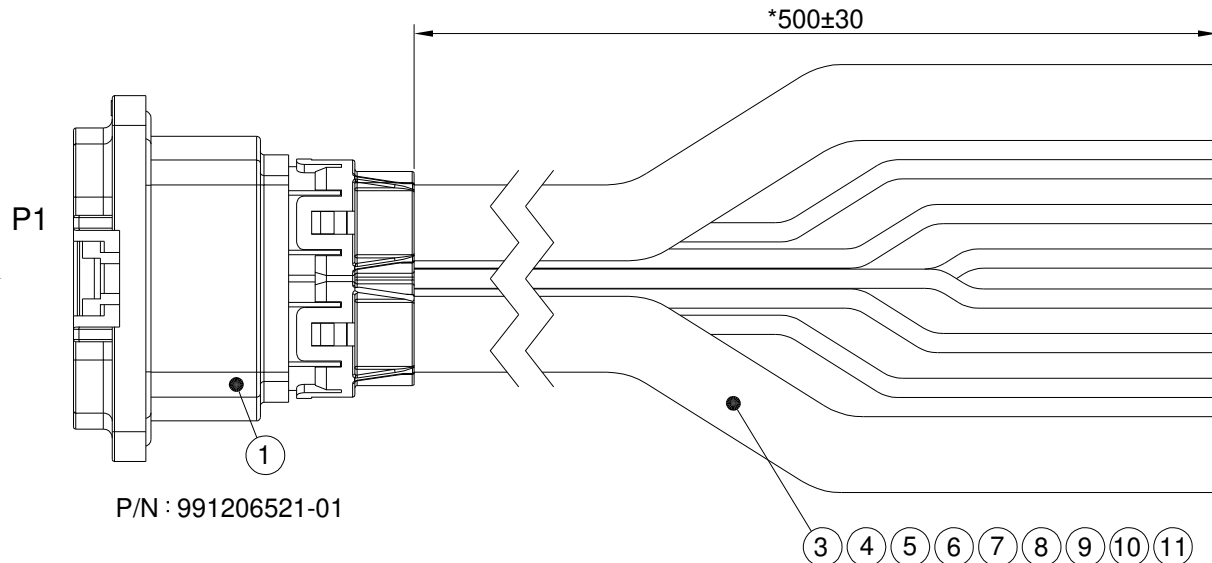
5	6	7	8
REV.	ECN NO.	DATE	SIGN
C1	NA	2022/08/15	XU
			DESCRIPTION
			First Version



VIEW A

504-00371-00

504-00087-00



P/N : 991206521-01

Pin Out	
P1	Wire Color
1	25mm ² RED
2	25mm ² BLACK
3	20AWG BLACK
4	20AWG YELLOW
5	20AWG RED
6	20AWG BROWN
7	20AWG ORANGE
8	20AWG GREEN

SPECIFICATIONS:

- 1.INSULATION RESISTANCE: 10MΩ@500VDC/0.01S.
- 2.VOLTAGE RATING: 60V.
- 3.CURRENT RATING: 25mm²@90A,20AWG@5A
- 4.OPERATION TEMPERATURE: -20°C~+105°C.
- 5.WATERPROOF IPX6(MATED).
- 6.RoHS COMPLIANT.

11	504-00371-00	A/R	M	HEAT SHRINK TUBE BLACK OD11
10	504-00087-00	A/R	M	HEAT SHRINK TUBE BLACK OD2.5
9	900-00101-00225	A/R	M	UL1015 20AWG -20~105 600V VW-1 OD:2.58mm BROWN PVC
8	900-00101-00224	A/R	M	UL1015 20AWG -20~105 600V VW-1 OD:2.58mm GREEN PVC
7	900-00101-00223	A/R	M	UL1015 20AWG -20~105 600V VW-1 OD:2.58mm ORANGE PVC
6	900-00101-00222	A/R	M	UL1015 20AWG -20~105 600V VW-1 OD:2.58mm YELLOW PVC
5	900-00101-00221	A/R	M	UL1015 20AWG -20~105 600V VW-1 OD:2.58mm BLACK PVC
4	900-00101-00220	A/R	M	UL1015 20AWG -20~105 600V VW-1 OD:2.58mm RED PVC
3	900-00101-00361	A/R	M	UL1015 25mm ² 105°C 600V VW-1 OD:10.2mm BLACK PVC
2	900-00101-00360	A/R	M	UL1015 25mm ² 105°C 600V VW-1 OD:10.2mm RED PVC
1	991206521-01	1	PC	BANGA100 SERIES 2+6PIN FEMALE CONNECTOR
No.	Material No.	Q'ty	Unit	Material Description

Material List

ITEM NO.	11C03622052702	DRAWN BY	XU	DATE	2022/08/15
DWG NO.	11C03622052702	CHECKED BY	Kevin	DATE	2022/08/15
CUSTOMER NO.		REV.		APPROVED BY	
					DATE

CHOGORI[®]
Chogori Technology Co., Ltd

UNIT:mm		TITLE	BANGA100 SERIES 2+6PIN FEMALE CONNECTOR L=500MM		
未注线性和角度尺寸公差 UNSPECIFIED TOLERANCE		SCALE	N/A	SHEET	1 of 1
GB/T 1804-M	REV.	C1	SIZE	A4	* Inspection Item

THIS INFORMATION IS CONFIDENTIAL AND IS DISCLOSED TO YOU ON CONDITION THAT NO FURTHER DISCLOSURE IS MADE BY YOU TO OTHER THAN CHOGORI PERSONNEL WITHOUT AUTHORIZATION FROM CHOGORI CORP.