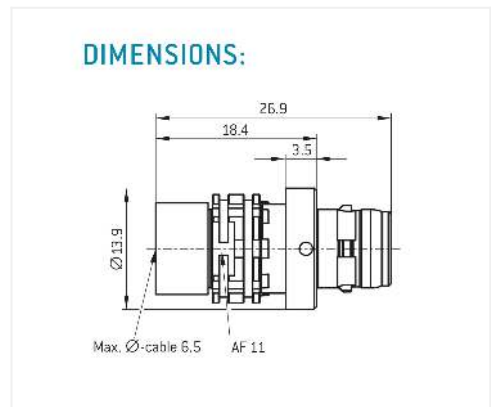
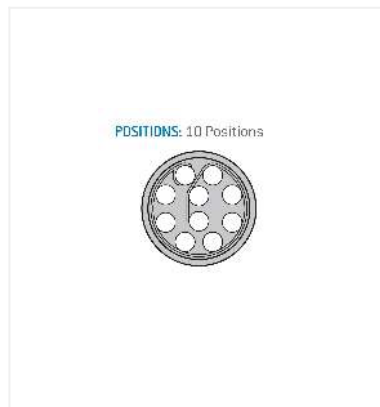
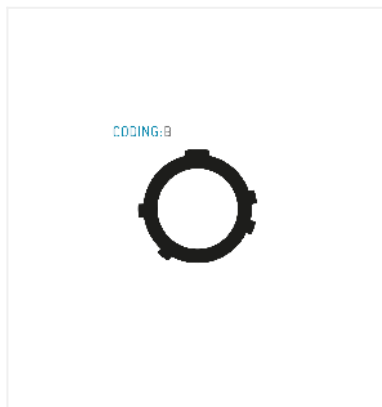


A11YBR-P10WDDO-R000
easy_clean, type_a1



General information

| | |
|--------------------------|---------------------|
| Part number | A11YBR-P10WDDO-R000 |
| Termination | solder |
| Size | 1 |
| Locking principle | break |
| Coding | b_key_amc |
| Cable Diameter | cable_amc_1 |
| Cable outlet | overmolding |



Contact insert description

| | |
|-----------------------------|--------------|
| Number of contacts | 10 |
| Contact type | flat_contact |
| Contact diameter | 06mm |
| Insulator material | peek |
| Wire cross section | 26_awg |
| Termination | solder |
| Termination diameter | 065mm |

reverse_gender_on_request

Technical information

| | | |
|---------------------------------------|----------|---------------|
| Nominal current single contact | 02_a | iec_60512_5_2 |
| Nominal current insert | 1,1 A | vde_0298_4 |
| Test voltage | 06_kv_ac | eia_364_20f |

safety_text

Mechanical and environmental data

| | |
|-----------------------|--------------|
| Degree of protection* | ipsk8_ip6k9k |
|-----------------------|--------------|

| | |
|-----------------------|----------|
| Operating temperature | 51_125_c |
|-----------------------|----------|

| | |
|---------------|------|
| Mating cycles | 5000 |
|---------------|------|

mated

Material and surface treatments

| | |
|---------|-----------|
| Housing | ruthenium |
|---------|-----------|

| | |
|---------|---------------|
| Contact | cu_alloy_gold |
|---------|---------------|

safety_text_2

ul_text

illustrative_text