

MATERIALS AND FINISHES

BODY BRASS
PLATED GOLD

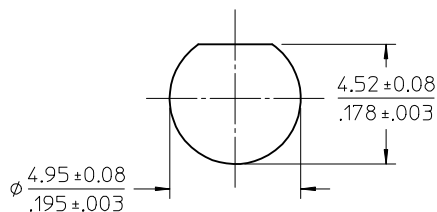
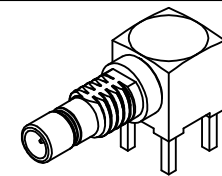
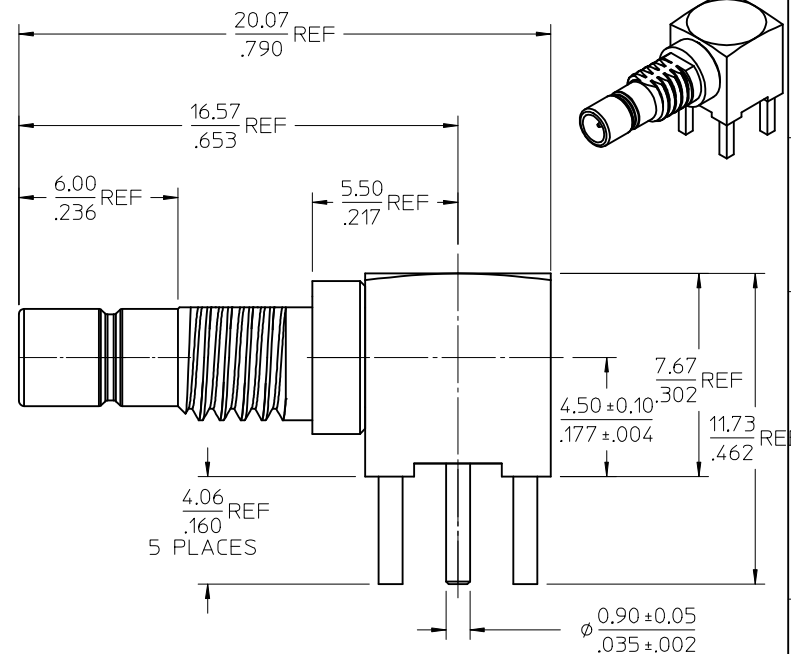
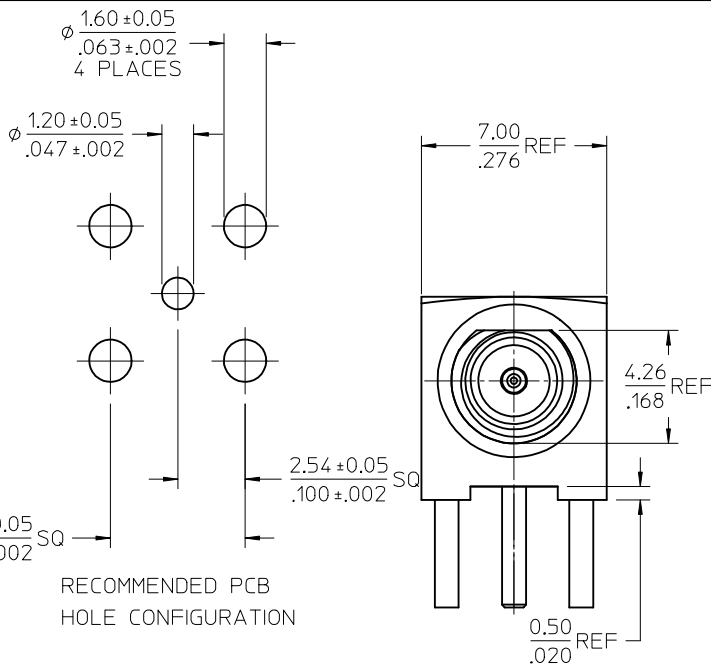
HOUSING BRASS
PLATED GOLD

CENTER CONTACT PHOSPHOR BRONZE
PLATED GOLD

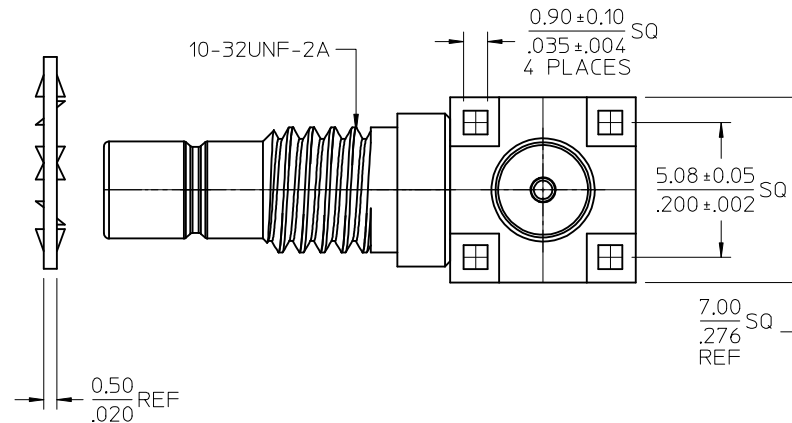
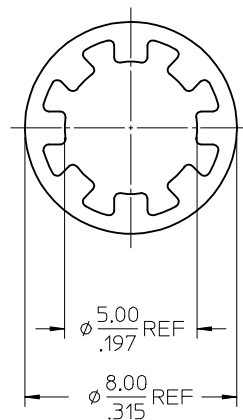
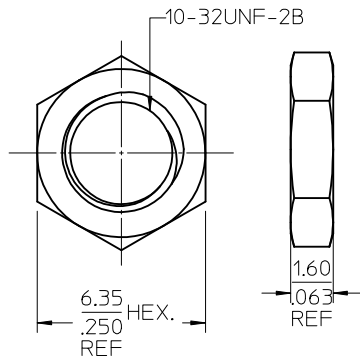
INSULATOR TEFLON

JAM NUT BRASS
PLATED GOLD

LOCK WASHER PHOSPHOR BRONZE
PLATED GOLD



RECOMMENDED MOUNTING HOLE
MAXIMUM PANEL THICKNESS 3.7MM
RECOMMENDED MOUNTING TORQUE
4.5 INCH-POUNDS MAX.



PART # 73404-6320

ES-73599-0000-013	INTERFACE DIMENSION
PS-73598-0099	PRODUCT SPECIFICATION
SPECIFICATION	DESCRIPTION

RTM PDR14041588 EC NO: URF2014-0598 DRWNLIN 2014/04/15 CHKD: APPR:MHUANG 2014/05/07	QUALITY SYMBOLS ▽=0 ▽=0 ▽=0	GENERAL TOLERANCES (UNLESS SPECIFIED)	DIMENSION STYLE		SCALE	DESIGN UNITS	THIRD ANGLE PROJECTION
			MM/IN	1:1	METRIC		
A	DESCRIPTION	DRAFT WHERE APPLICABLE MUST REMAIN WITHIN DIMENSIONS	DRAWN BY	DATE	TITLE SMB JACK R/A 50 OHMS PCB SMB-J/PCB		
			EL IN	2014/04/15			
A	REV	ANGULAR ± 2°	CHECKED BY	DATE	DOCUMENT NO. SD-73404-632		
			KERRIE	2014/04/15			
A	REV	MATERIAL NO.	APPROVED BY	DATE	SHEET NO. 1 OF 1		
			MHUANG	2014/05/07			
SIZE C			THIS DRAWING CONTAINS INFORMATION THAT IS PROPRIETARY TO MOLEX INCORPORATED AND SHOULD NOT BE USED WITHOUT WRITTEN PERMISSION				