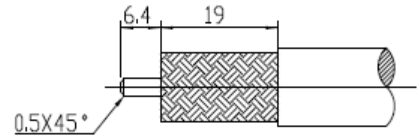
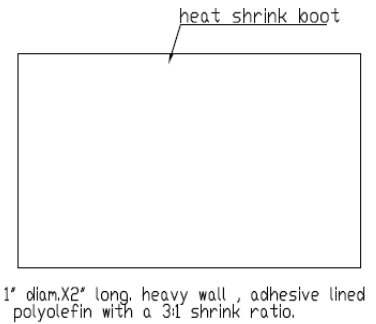
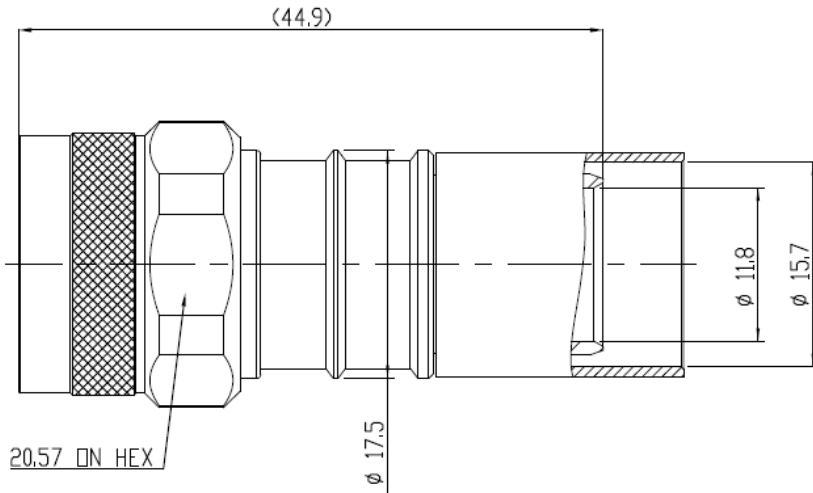


**NOTICE OF PROPRIETARY RIGHTS** THIS DOCUMENT CONTAINS CONFIDENTIAL TECHNICAL DATA, INCLUDING TRADE SECRETS, PROPRIETARY TO TIMES MICROWAVE SYSTEMS. DISCLOSURE OF THIS DATA IS EXPRESSLY CONDITIONED UPON YOUR ASSENT THAT ITS USE IS LIMITED TO USE WITHIN YOUR COMPANY ONLY. ANY OTHER USE IS STRICTLY PROHIBITED WITHOUT THE PRIOR WRITTEN CONSENT OF TIMES MICROWAVE SYSTEMS.

SYM	REVISION DESCRIPTION	DFTM	DATE	APPD	DATE
A	RELEASED FOR PRODUCTION	D. J. H.	8/9/11	J. D. B.	8/16/11
B	CHANGED PER CDC #36735	N. N. N.	4/8/13	J. D. B.	4/10/13
C	CHANGED PER CDC #40601	N. N. N.	8/26/14	J. D. B.	9/10/14



Reference standard IEC60169-16

**I. Electric Performance**

Nominal Impedance( $\Omega$ ): 50  
 Frequency Range: DC-6GHz  
 VSWR:  $\leq 1.25$   
 Insert Loss:  $\leq 0.1$  (DC-3GHz)  
 Insulation resistance ( $M\Omega$ ):  $\geq 5000$   
 Proof voltage (V): 2500  
 Conductor resistance ( $m\Omega$ ): outer conductor  $< 0.4$ , inner conductor  $< 0.8$

**II. Mechanical Performance**

Nut torque: 5Nm  
 (Nut)Whorl pull: 500N  
 Tension(cable-connect): 500N  
 Torsion(cable-connect): 3Nm

**III. Material and plating :**

Component Material  
 Inner conductor Beryllium Bronze  
 Outer conductor Brass  
 Tube: copper  
 Nut: Brass  
 Gasket: Silicone rubber  
 Insulator: PTFE

**IV. Environment**

Temprange:  $-55^{\circ}\text{C} \sim +155^{\circ}\text{C}$   
 Weather standard: IEC 60068 55 / 155/ 56  
 Thermal shock: US MIL-STD 202,Meth.107,Cond.B  
 Vibration: US MIL-STD 202,Meth.204,Cond.B  
 Shock: US MIL-STD 202,Meth.213,Cond.I  
 Waterproofing standard: IP67

**V. Assembly: inner conductor installed and outer conductor crimped**

**VI. RoHS Compliant.**

Plating  
 Au50 micro inches over nickel 100 over copper  
 Copper-tin-zin 100-150 micro inches  
 Copper-tin-zin 100-150 micro inches  
 Copper-tin-zin 100-150 micro inches

MATERIAL:	UNLESS OTHERWISE SPECIFIED		DFTM. D. J. H.	TIMES MICROWAVE SYSTEMS	
	ALL DIMENSIONS ARE IN mm MACHINED SURFACES FINISH N/A RMS MAX. REMOVE ALL BURRS N/A MAX. BREAK MACHINE CORNERS N/A MAX. FILLET R. TOLERANCES ON DECIMALS . XX $\pm$ N/A . XXX $\pm$ N/A ANGLES $\pm 1^{\circ}$ FRACTIONS $\pm$ N/A		DATE 8/9/11		
USED ON: 1-1			CHKD. J. D. B.	<b>EZ-600-NMH-X</b> "N" MALE FOR LMR-600 CABLE EZ/CRIMP/NO BRAID TRIM	
			DATE 8/16/11		
SCALE: N/A	DWG. SIZE A	DO NOT SCALE DRAWING	APPD. J. D. B.	SHEET 1 of 1   SD3190-2627   REV C	
			DATE 8/16/11		