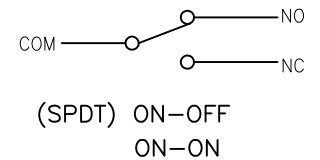
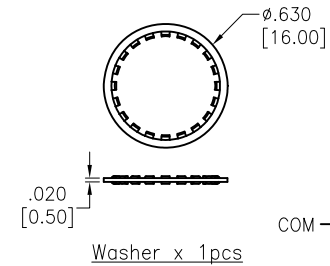
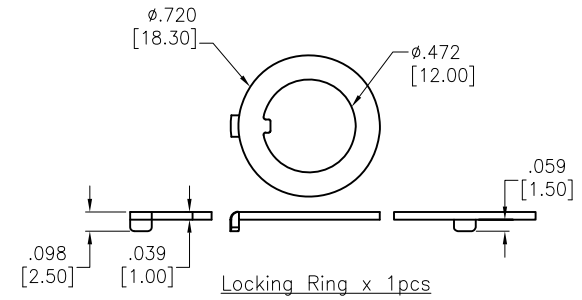
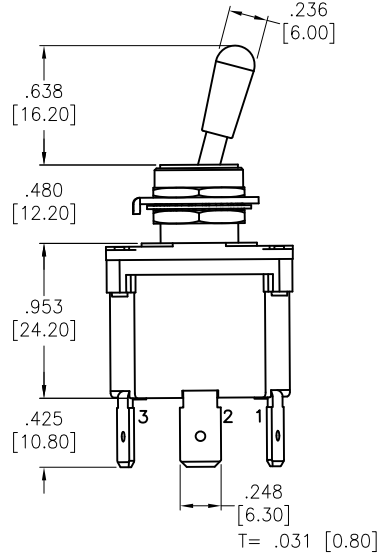
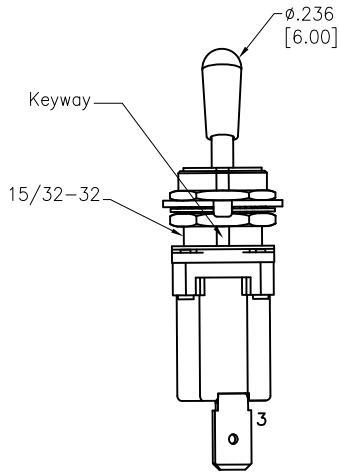
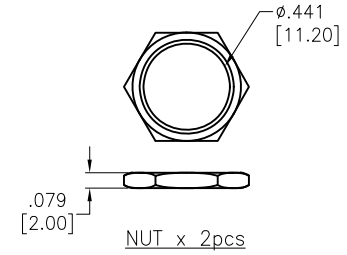
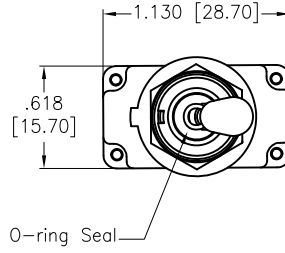
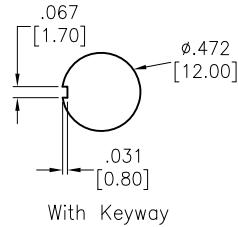
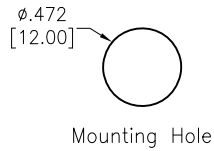


APPROVED: _____

DATE: _____ TITLE: _____

Rev	AWO #	Description	Date	Appr
-		RELEASED	12/24/20	
A		UPDATE DRAWING	6/25/21	JJ/RC



SPECIFICATIONS:

Material:

Movable contact: Copper Alloy, Silver plated

Terminals: Brass, Tin plated

Electrical:

Rating: 12A @ 250VAC/125VAC

1/2 HP 125VAC/ 1HP 250VAC/5A 125VAC

Contact resistance: 20 mohms max initial

Insulation resistance: 100 Mohms min @ 500 VDC

Dielectric withstanding voltage: 1500V RMS @ sea level

Electrical life: 30,000 make and break cycles at full load

Temperature Rating:

Operating temperature: -30°C to +85°C

Environmental:

IP68 Protection Class

Lead free, RoHS compliant



UNLESS OTHERWISE SPECIFIED ALL DIMENSIONS ARE INCHES [MM]. TOLERANCES: EXCEPT AS NOTED

INCHES		HOLES	
.X	± .10	∅X	± .10
.XX	± .020	∅XX	± .015
.XXX	± .015	∅XXX	± .010

DRAWN	OW	12/24/20
CHECKED	AC	12/24/20
APPROVED		

THIS DRAWING CONTAINS INFORMATION THAT IS PROPRIETARY AND SHOULD NOT BE USED WITHOUT PRIOR WRITTEN PERMISSION FROM ADAM TECH

**ADAM
TECH**

909 Rahway Avenue,
Union, NJ 07083
Phone: 908-687-5000
Fax: 908-687-5710

TITLE
**POWER TOGGLE SWITCH, SPDT,
ON-ON, QC .250 [6.35MM]**

SIZE	PART NO.	REV.
X	SW-T4-2B-E-TA1-01	A

REF: S00198T SCALE: NTS SHEET 1 OF 1