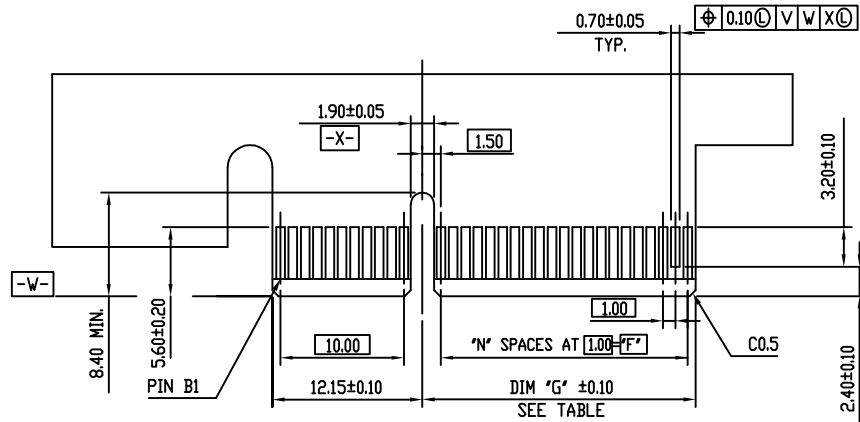
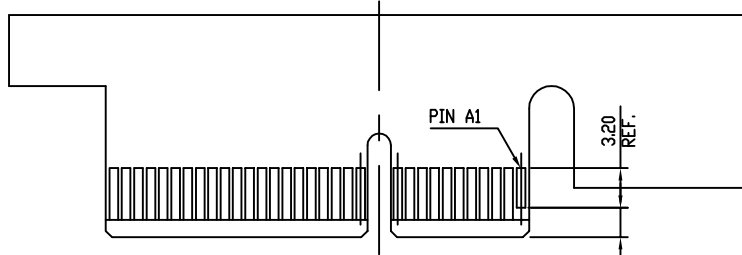


DIMENSIONS				
POSITION	B ±0.20	C ±0.20	D ±0.23	E
36	27.00	9.15	25.00	6
64	41.00	23.15	39.00	20
98	58.00	40.15	56.00	37
164	91.00	73.15	89.00	70

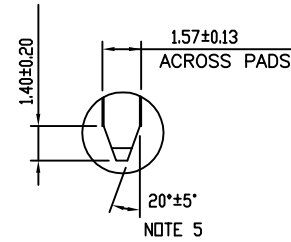
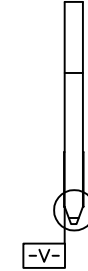
mat'l. code		surface 58 / tolerance ASME_Y14.5V / ASME_Y14.5		projection		product family PCI_EXPRESS	
ltr	ecn no	dr	date	tolerances unless otherwise specified		title	
B	--	WZ	2021/7/06	angles	.X±.30	PCI_EXPRESS_CARD_EDGE_GEN3 ONE_OPEN-END_SMT_ASS'Y	
				0°±2'	.XX±.20	dwg no 10136870 sheet 1 of 4 size A4	
					.XXX±.10	type CUSTOMER Drawing	
		dr	WINSTON_ZHU	2021-07-06			
		enr	ZHENHUA_LIU	2021-07-06			
		chr	MARS_LONG	2021-07-06			
		app	HEAVEN_CEN	2021-07-06			
sheet index	revision	B					



I/O PANEL DIRECTION  
PRIMARY (COMPONENT) SIDE



I/O PANEL DIRECTION  
SECONDARY (SOLDER) SIDE

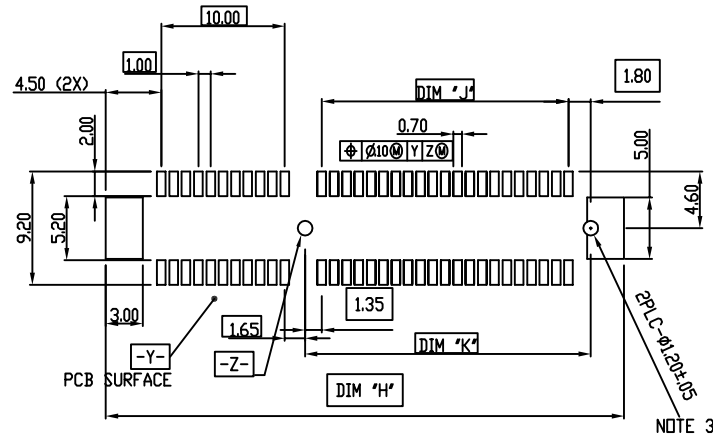


SCALE 2:1

#	POS REF.	N	DIM "G"	DIM "F"	"F"
36		6	8.15	6.00	B17
64		20	22.15	20.00	B31
98		37	39.15	37.00	B48
164		70	72.15	70.00	B81

mat'l. code		surface 58 / tolerance ASME_Y14.5V / ASME_Y14.5		projection		product family	
ltr		ecn no		dr		date	
tolerances unless otherwise specified		angles		0°±2'		scale N/A	
dr WINSTON_ZHU		2021-07-08		enr ZHENHUA_LIU		2021-07-08	
chr MARS_LONG		2021-07-08		app HEAVEN_CEN		2021-07-08	
sheet index		revision sheet		B			
sheet		index					

title		PCI_EXPRESS	
PCI_EXPRESS_CARD_EDGE_GEN3		ONE_OPEN-END_SMT_ASS'Y	
dwg no		10136870	
sheet 2 of 4		size A4	
type		CUSTOMER Drawing	



RECOMMENDED PCB LAYOUT, PAD TYPE

DIMENSIONS							
POSITION	B ±0.20	C ±0.20	D ±0.23	E	H ±0.10	J	K ±0.10
36	27.00	9.15	25.00	6	28.00	6.00	9.15
64	41.00	23.15	39.00	20	42.00	20.00	23.15
98	58.00	40.15	56.00	37	59.00	37.00	40.15
164	91.00	73.15	89.00	70	92.00	70.00	73.15

mat'l. code		surface 58		tolerance		projection		product family	
		ASME_Y14.5V		ASME_Y14.5				PCI_EXPRESS	
ltr		ecn no		dr		date		title	
								PCI_EXPRESS_CARD_EDGE_GEN3	
								ONE_OPEN-END_SMT_ASS'Y	
								dwg no	
								sheet 3 of 4	
								size	
								A4	
								type	
								CUSTOMER Drawing	
sheet index		revision sheet		B					

NOTES:

1.MATERIAL:

- HOUSING: NYLON, GLASS FILLED UL94V-0 RATE,
- TERMINAL: COPPER ALLOY
- PLATING: SEE PRODUCT NUMBER CODE
- METAL PADS: COPPER ALLOY
- FINISH: TIN OVER NICKEL

2.PRODUCT SPECIFICATION: GS-12-390.PACKAGING SPECIFICATION: GS-14-1451(HARD TRAY); GS-14-1143(STANDARD PACKING).

③THE HORIZONTAL AXIS FOR THE PAD PATTERN IS ESTABLISHED BY A LINE THROUGH THE CENTER OF THE TWO Ø1.0 HOLES.

THE VERTICAL AXIS IS 90° TO THE HORIZONTAL AXIS, THROUGH THE CENTER OF DATUM -Z-

④NO TIE BAR PERMITTED FROM CARD EDGE TO LEADING EDGE OF PAD FOR PINS A1.

⑤CHAMFER EDGES MUST BE FREE OF CUTTING BURRS.

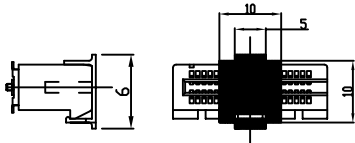
6.RoHS COMPATIBLE PRODUCT SPECIFICATIONS

a - PLATING:

- "LF" MEANS THE PRODUCT IS LEAD-FREE

b - MANUFACTURING PROCESS COMPATIBILITY

- THE HOUSING WILL WITHSTAND EXPOSURE TO 260°C±5°C PEAK TEMPERATURE FOR 5 SECONDS IN A CONVECTION, INFRA-RED OR VAPOR PHASE REFLOW OVEN.



POSITION OF CAP

PRODUCT NUMBER CODE

10136870 - X X X X L F

HOUSING COLOR OPTIONS  
1-BLACK

TERMINAL PLATING OPTIONS  
0-50u" Ni UNDERPLATE  
30u" Au CONTACT AREA  
100u" TIN TAIL AREA -----COMPATIBLE RoHS  
1-50u" Ni UNDERPLATE  
15u" Au CONTACT AREA  
100u" TIN TAIL AREA -----COMPATIBLE RoHS  
2-50u" Ni UNDERPLATE  
GOLD FLASH CONTACT AREA  
100u" TIN TAIL AREA -----COMPATIBLE RoHS

POS OPTIONS  
0-36  
1-64  
2-98  
3-164

LEAD FREE OPTION

PACKAGING OPTIONS

- T-TRAY PACKAGING
- C-TRAY PACKAGING WITH CAP
- R-TAPE & REEL PACKAGING (FOR 36P & 64P & 98P OPTIONS ONLY)
- P-TAPE & REEL PACKAGING WITH CAP (FOR 36P & 64P & 98P OPTIONS ONLY)
- Y-HARD TRAY(338x234) (FOR 36P, 98P & 164P OPTION ONLY)
- Z-HARD TRAY(338x234) WITH MYLAR (FOR 36P, 98P & 164P OPTION ONLY)
- B-HARD TRAY(338x234) WITH CAP (FOR 36P, 98P & 164P OPTION ONLY)



mat'l. code		surface 58 ASME_Y14.5V		tolerance ASME_Y14.5		projection MM		product family PCI_EXPRESS		
ltr	ecn no	dr	date	tolerances unless otherwise specified				title		
				angles	.X±.2	MM		PCI_EXPRESS_CARD_EDGE_GEN3		
				0°±2°	.XX±.13	scale N/A		ONE_OPEN-END_SMT_ASS'Y		
		dr	WINSTON_ZHU	2021-07-06				dwg no		
		engr	ZHENHUA_LIU	2021-07-06				sheet 4 of 4		
		chr	MARS_LONG	2021-07-06				size		
		appd	HEAVEN_CEN	2021-07-06				A4		
sheet index		revision	B							type
		sheet								CUSTOMER Drawing