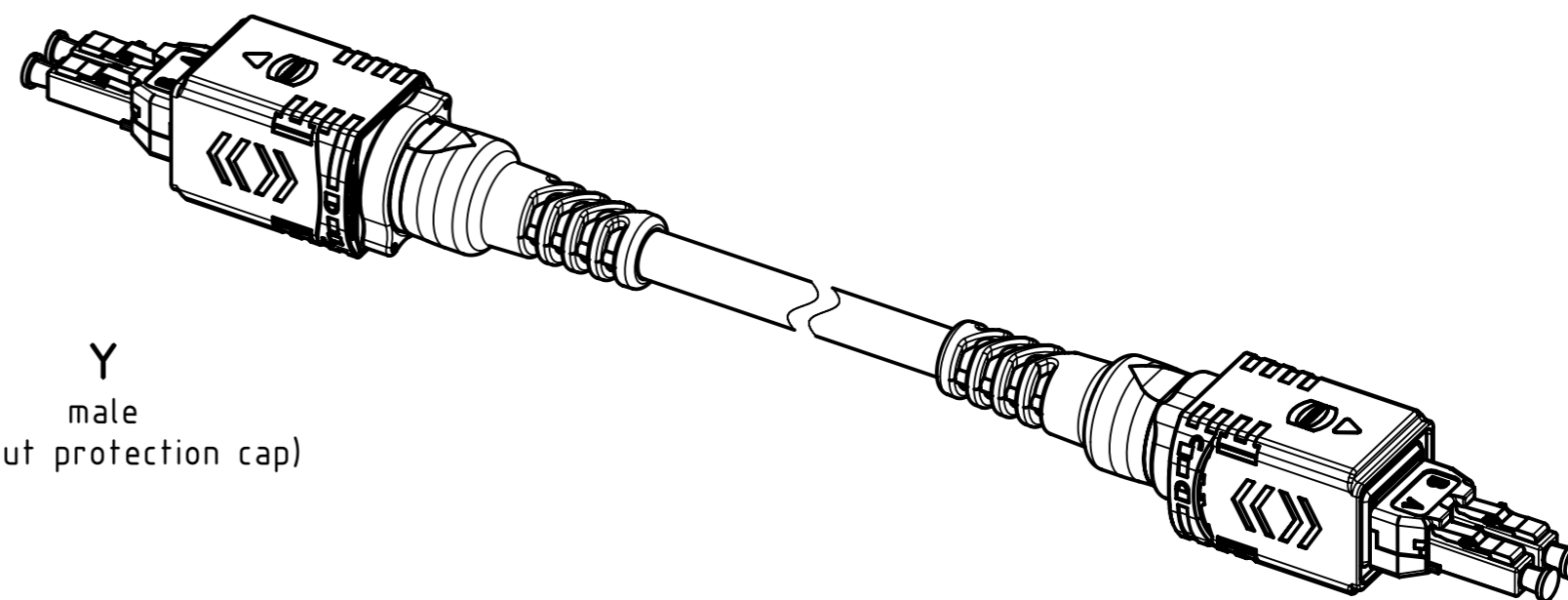
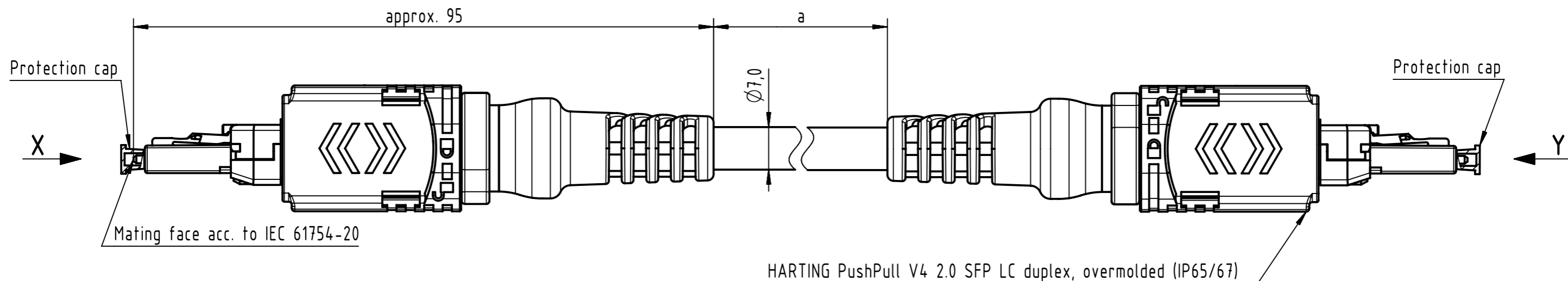


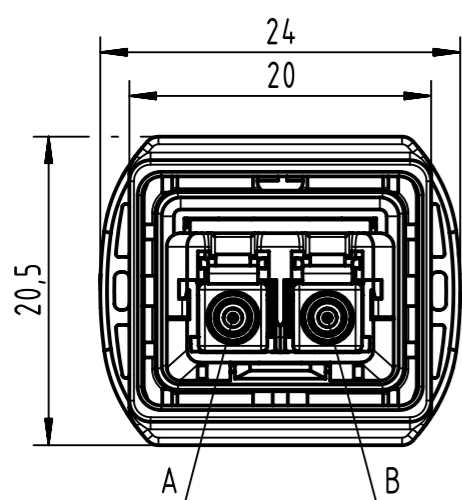
Connector Location A

Connector Location B

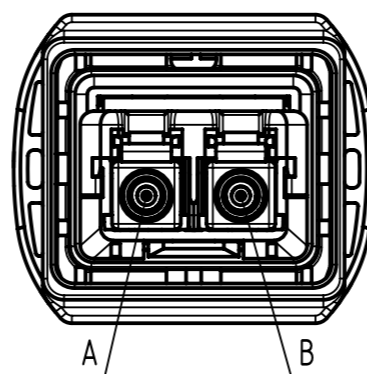
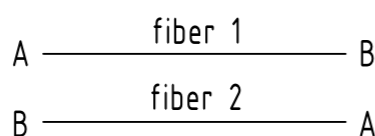


X
male
(without protection cap)

Y
male
(without protection cap)




Loading Plan



- Temperature range: -40°C ... +70°C

	All rights reserved		Created by 402676 Gross		Inspected by 402676 Gross		Standardisation COSTEA Costea		Date 2022-08-31		State Final Release	
	Department HCS - RO		Title FO CA PP2-PP2, 62.5µ, OM1, PUR		Type TB		Number 3361221XXX0003		Doc-Key / ECM-Nr. 100677817/UGD/006/E 500000219506		Rev. E Page 1/2	
All Dimensions in mm			Tech. Character.			Free size tol.			According to production drawing			
HARTING Customised Solutions D-32339 Espelkamp												

Cont. no.	Part no.	Type of cable	Dim. a[m]					
27	33612211000003	LWL Breakoutkabel 2x62.5/125MIL, OCC	100	±1%	 All rights reserved Department HCS - RO HARTING Customised Solutions D-32339 Espelkamp	Created by 402676 Gross Inspected by 402676 Gross Title FO CA PP2-PP2, 62.5µ, OM1, PUR Type TB Number 3361221XXX0003	Standardisation COSTEA Costea Date 2022-08-31 State Final Release Doc-Key / ECM-Nr. 100677817/UGD/006/E 500000219506 Rev. E Page 2/2	All Dimensions in mm Tech. Character. Free size tol. According to production drawing
26	33612210900003		90					
25	33612210800003		80					
24	33612210700003		70					
23	33612210600003		60					
22	33612210500003		50					
21	33612210450003		45					
20	33612210400003		40					
19	33612210350003		35					
18	33612210300003		30					
17	33612210250003		25					
16	33612210200003		20					
15	33612210150003		15					
14	33612210140003		14					
13	33612210130003		13					
12	33612210120003		12					
11	33612210110003		11					
10	33612210100003		10					
9	33612210090003		9					
8	33612210080003		8					
7	33612210070003		7					
6	33612210060003		6					
5	33612210050003		5					
4	33612210040003		4					
3	33612210030003		3					
2	33612210020003		2	±0.03				
1	33612210010003		1					