

RJ45 connection: 22 mm, plastic, black



product brand name	SIRIUS ACT
product designation	RJ45 connection
design of the product	RJ-45 Cat. 5e
product type designation	3SU1
product line	Plastic, black, 22 mm
Actuator	
outer diameter of the actuating element	29.45 mm
General technical data	
protection class IP	IP65
Ambient conditions	
<ul style="list-style-type: none"> ambient temperature during operation ambient temperature during storage 	<p>-25 ... +70 °C</p> <p>-40 ... +80 °C</p>
Installation/ mounting/ dimensions	
shape of the installation opening	round
mounting diameter	22.3 mm
mounting height	11.7 mm
installation width	29.45 mm
installation depth	28.35 mm
Accessories	
material of accessory	Plastic
color of accessory	black
Certificates/ approvals	
General Product Approval	Declaration of Conformity



[Miscellaneous](#)

Declaration of Conformity	Test Certificates	Marine / Shipping
---------------------------	-------------------	-------------------

[Miscellaneous](#)



[Type Test Certificates/Test Report](#)



[Confirmation](#)**Further information**

Information- and Downloadcenter (Catalogs, Brochures,...)

<https://www.siemens.com/ic10>

Industry Mall (Online ordering system)

<https://mall.industry.siemens.com/mall/en/en/Catalog/product?mlfb=3SU1900-0GB10-0AA0>

Cax online generator

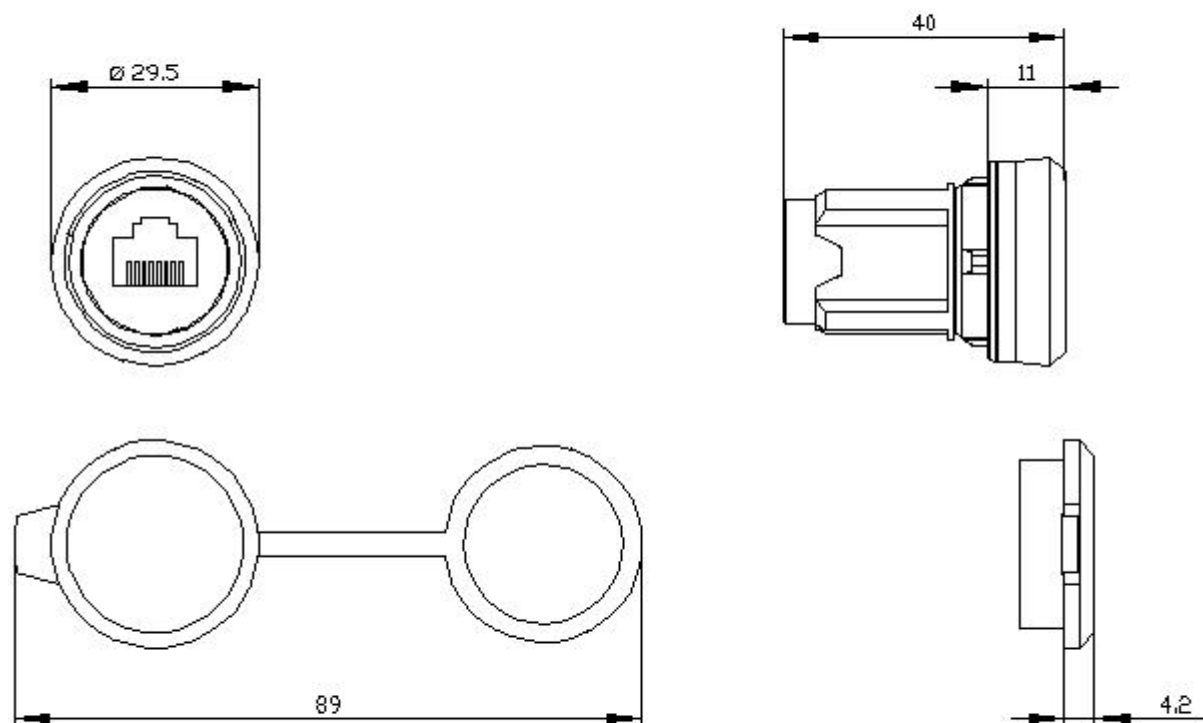
<http://support.automation.siemens.com/WW/CAXorder/default.aspx?lang=en&mlfb=3SU1900-0GB10-0AA0>

Service&Support (Manuals, Certificates, Characteristics, FAQs,...)

<https://support.industry.siemens.com/cs/ww/en/ps/3SU1900-0GB10-0AA0>

Image database (product images, 2D dimension drawings, 3D models, device circuit diagrams, EPLAN macros, ...)

http://www.automation.siemens.com/bilddb/cax_de.aspx?mlfb=3SU1900-0GB10-0AA0&lang=en



last modified:

10/15/2020

