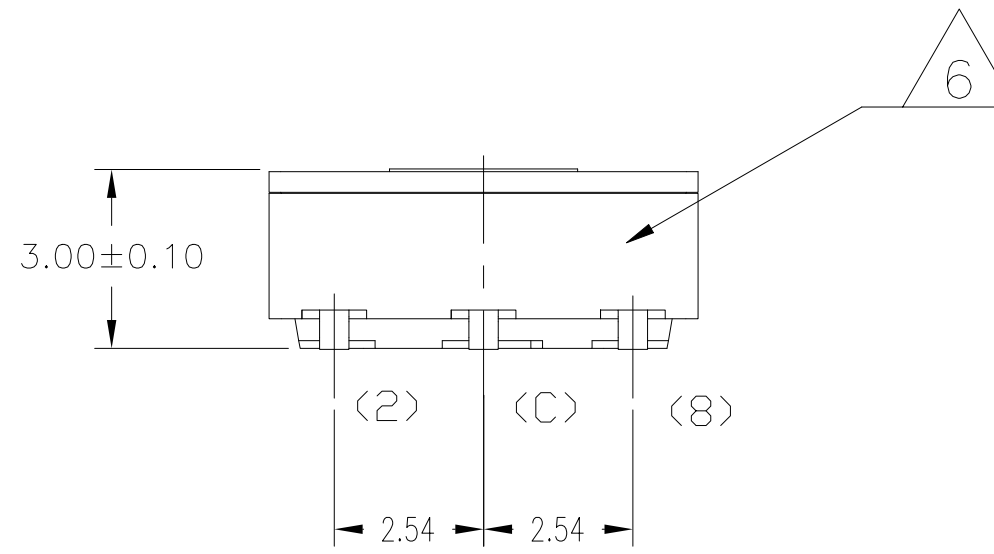
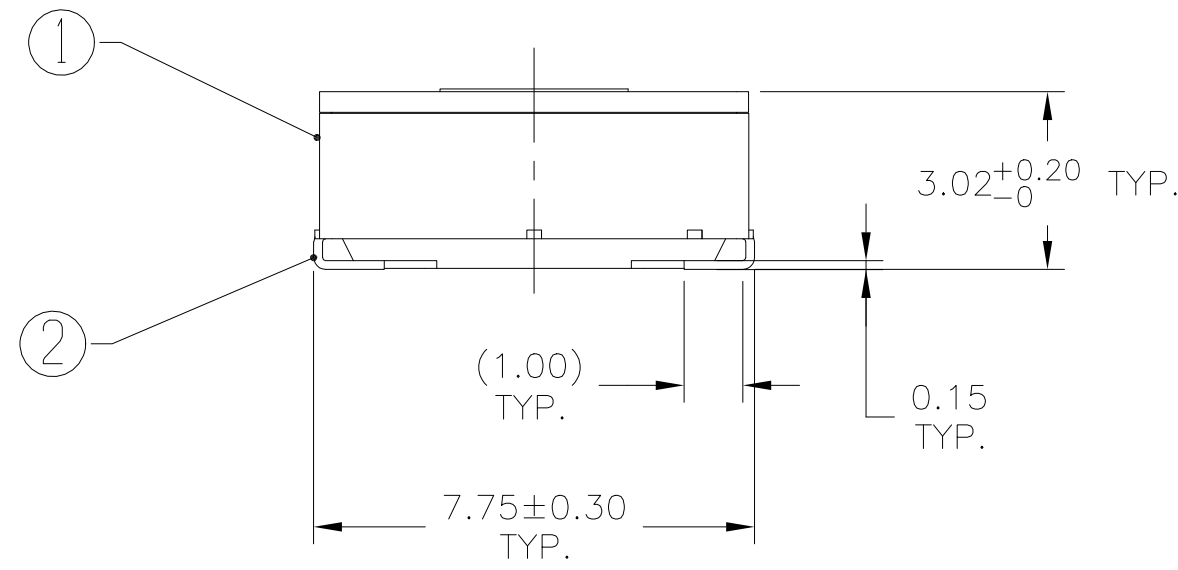
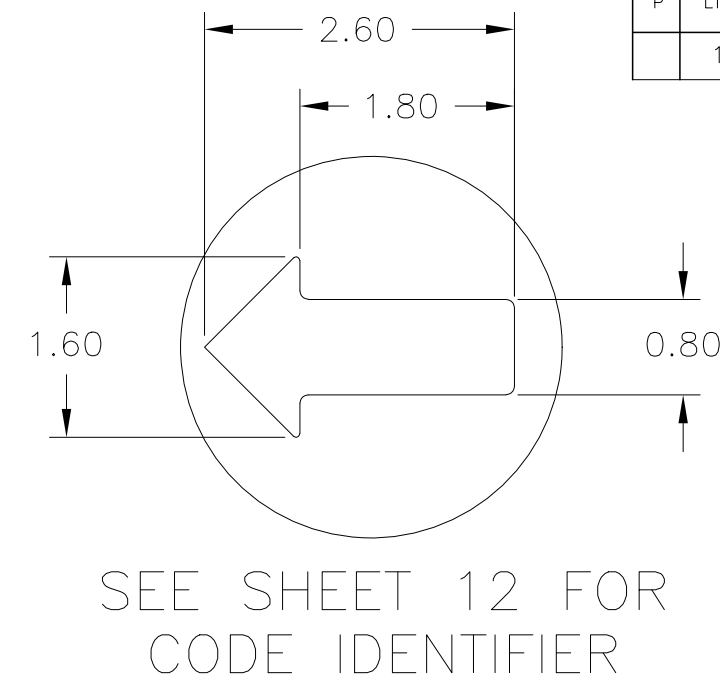
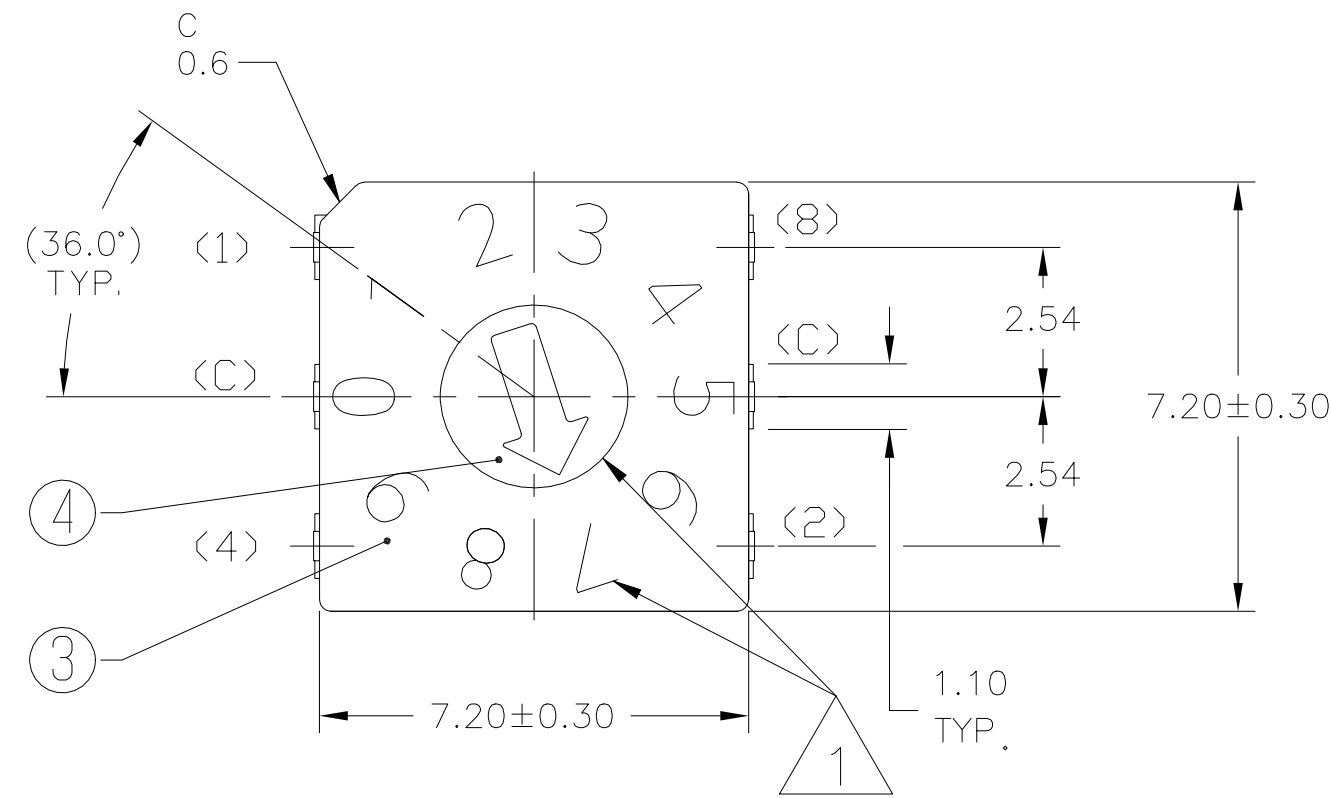
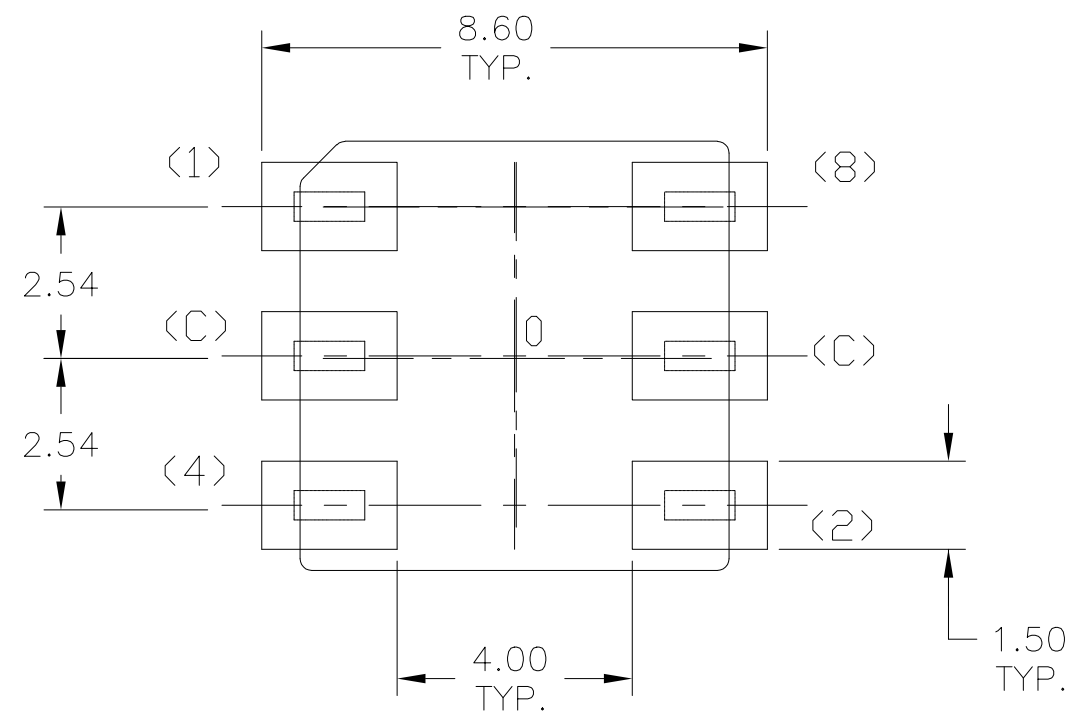
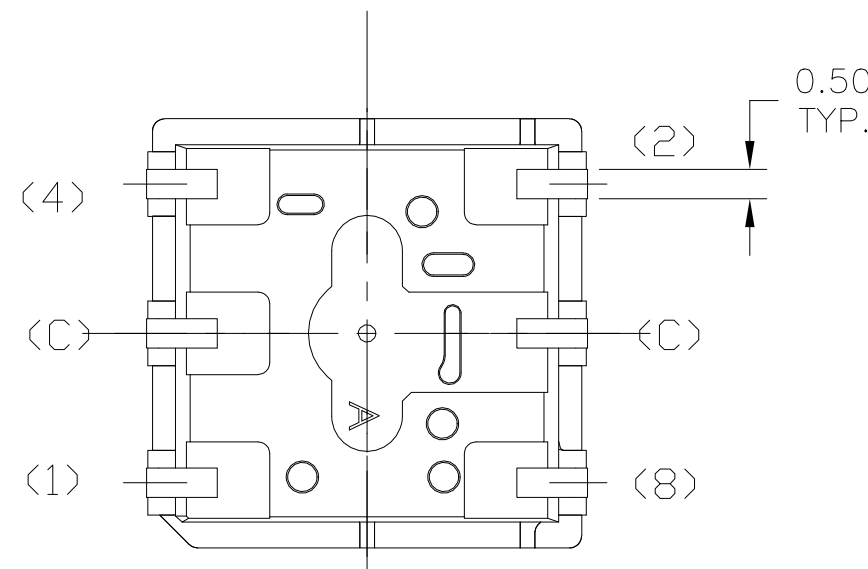


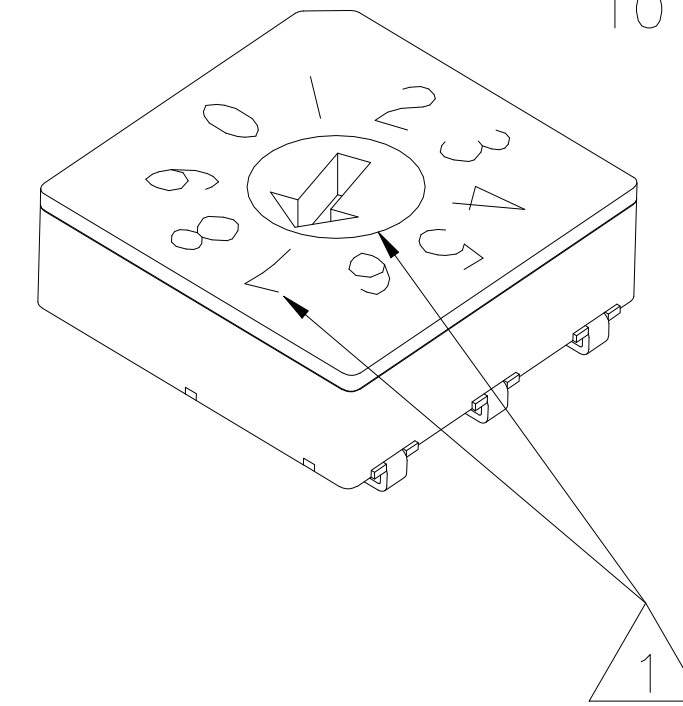
REVISIONS					
P	LTR	DESCRIPTION	DATE	DWN	APVD
1		NEW DRAWING	19JUL2022	GSK	AS



CODE BINARY  
 (COMPLEMENT/GRAY/REAL)  
 J-LEAD TERMINALS  
 COVER COLOR BLACK  
 PRINT MARKING  
 10 POSITION



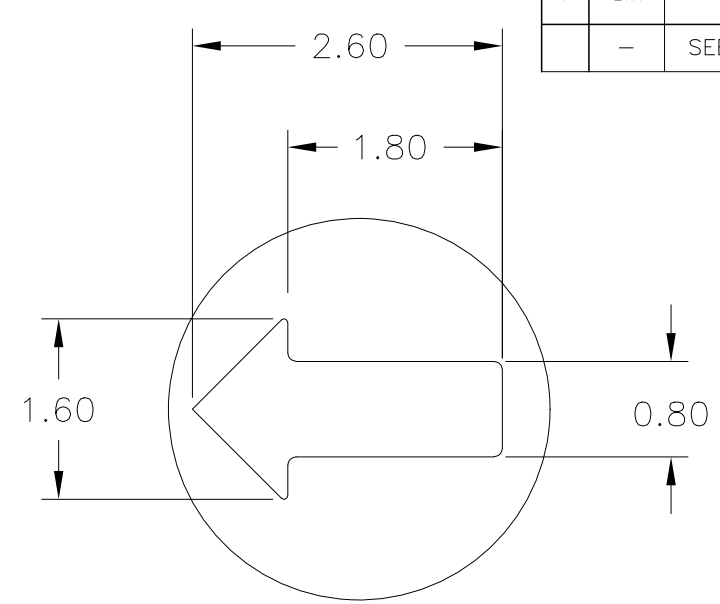
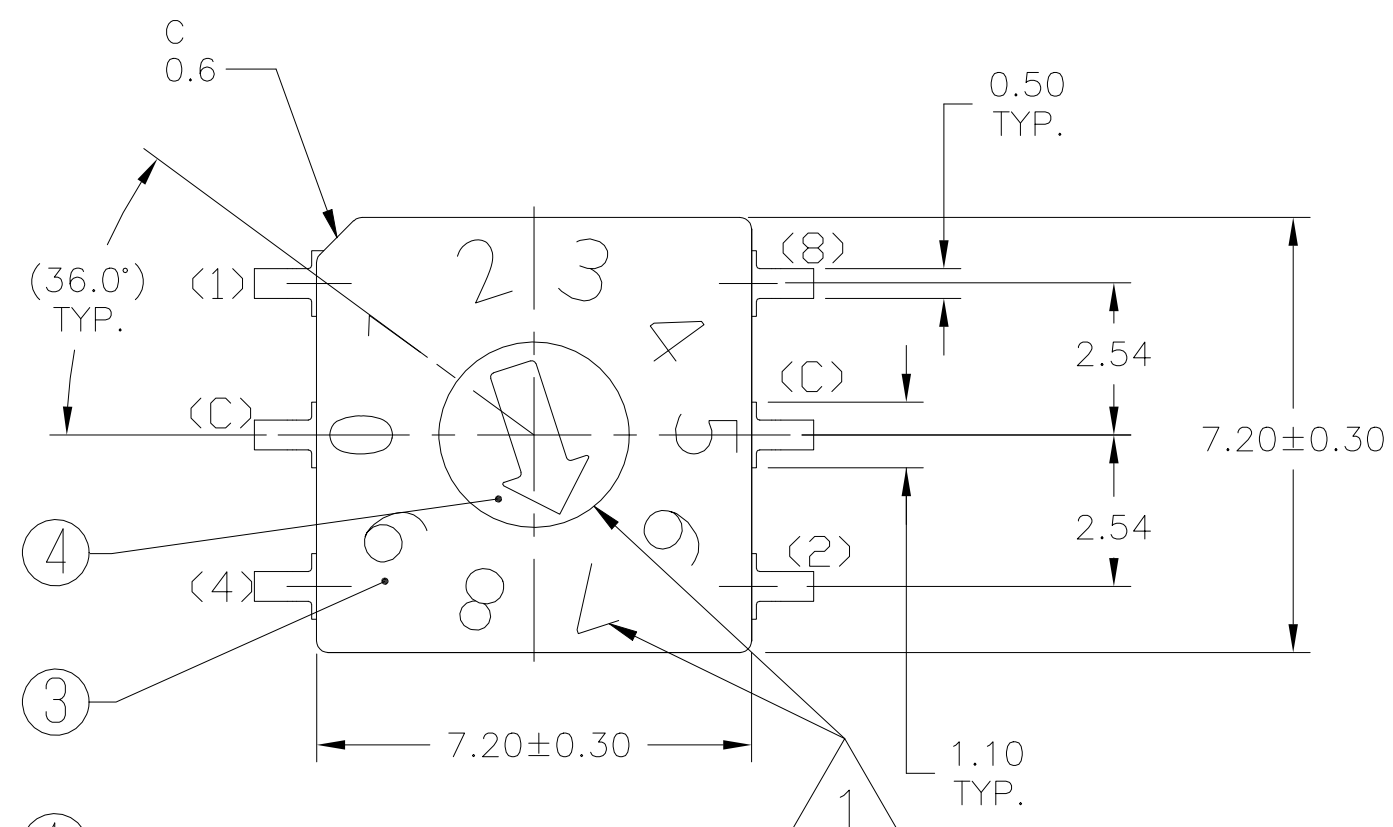
PCB Layout



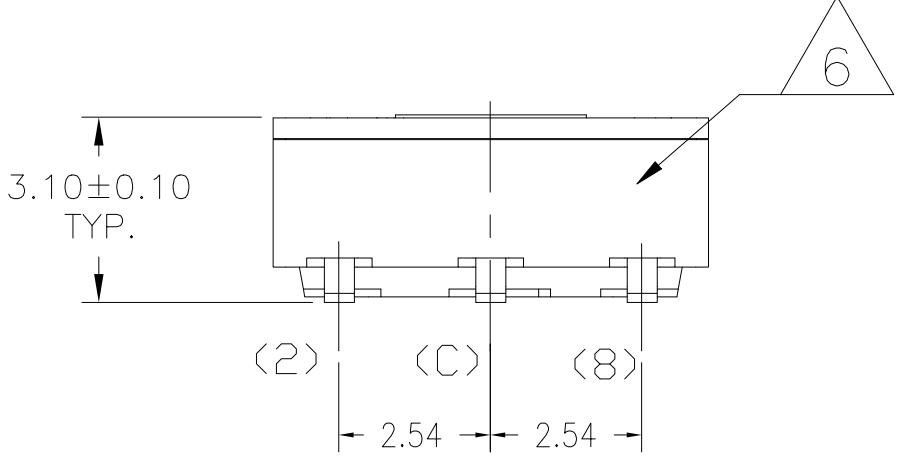
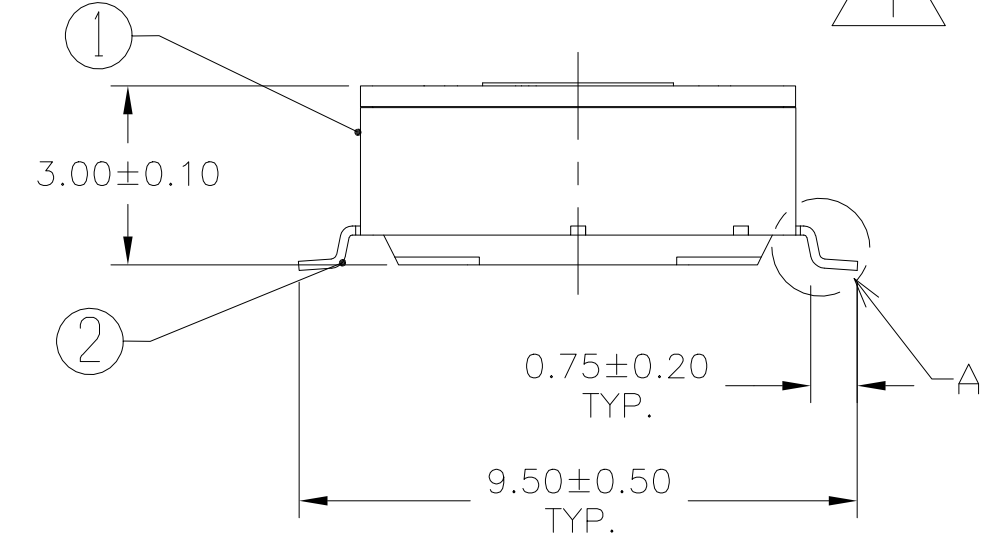
**PRELIMINARY**

THIS DRAWING IS A CONTROLLED DOCUMENT.		DWN 19JUL2022 SATHISH KUMAR_G	<b>TE</b> TE Connectivity	
DIMENSIONS: mm		CHK 19JUL2022 ALEXANDER, SHARPE		
TOLERANCES UNLESS OTHERWISE SPECIFIED: ±0.15		APVD 19JUL2022 ALEXANDER, SHARPE	NAME MRSS, MINIATURE ROTARY SWITCH SERIES, VERTICAL, 2.54 BLACK, PRINT MARKING	
0 PLC ± - 1 PLC ± - 2 PLC ± - 3 PLC ± - 4 PLC ± - ANGLES ± -		PRODUCT SPEC	APPLICATION SPEC	
MATERIAL		FINISH	WEIGHT	RESTRICTED TO
			SIZE A2 CAGE CODE 00779 DRAWING NO. C=2396234	
		CUSTOMER DRAWING	SCALE 8:1	SHEET 1 OF 12 REV 1

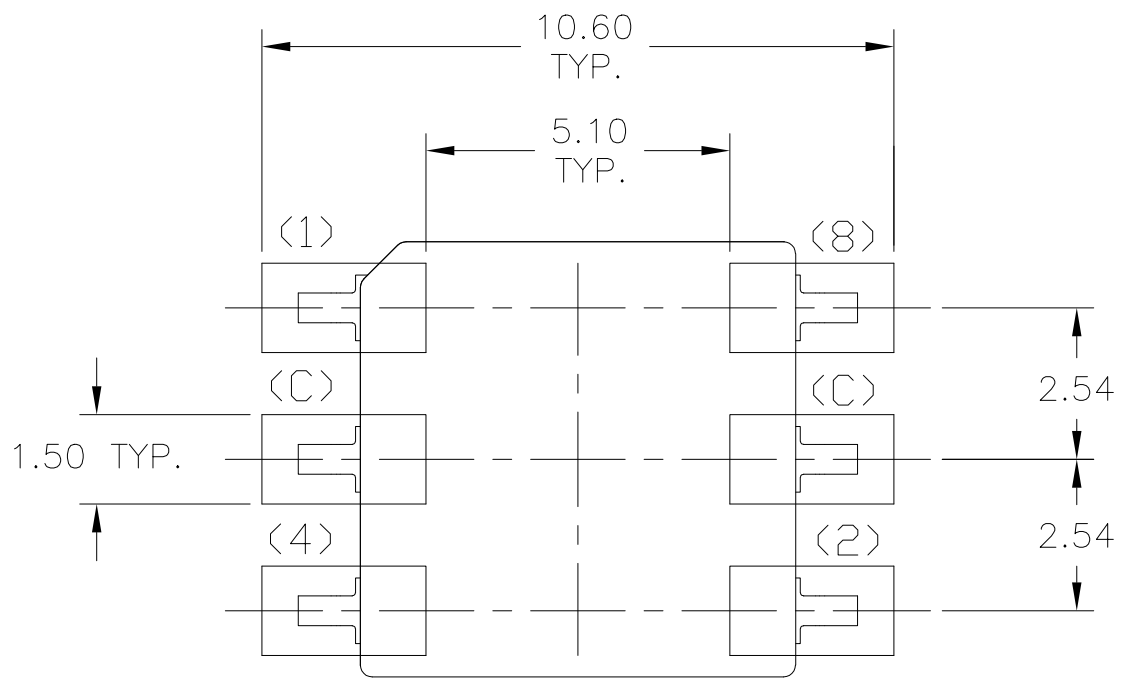
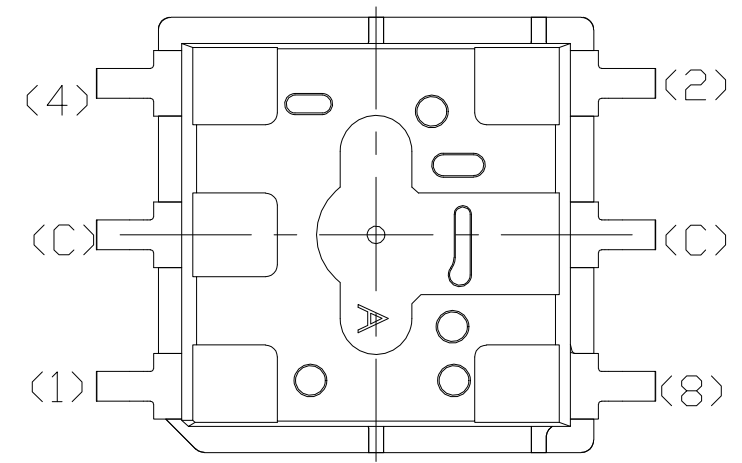
REVISIONS					
P	LTR	DESCRIPTION	DATE	DWN	APVD
-	-	SEE SHEET 1	-	-	-



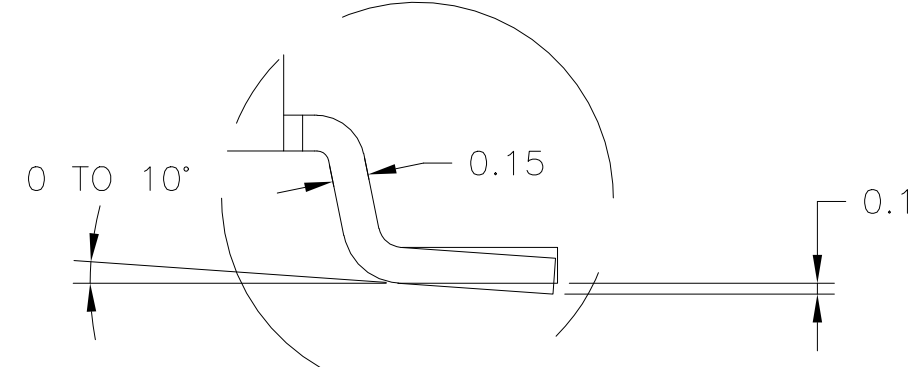
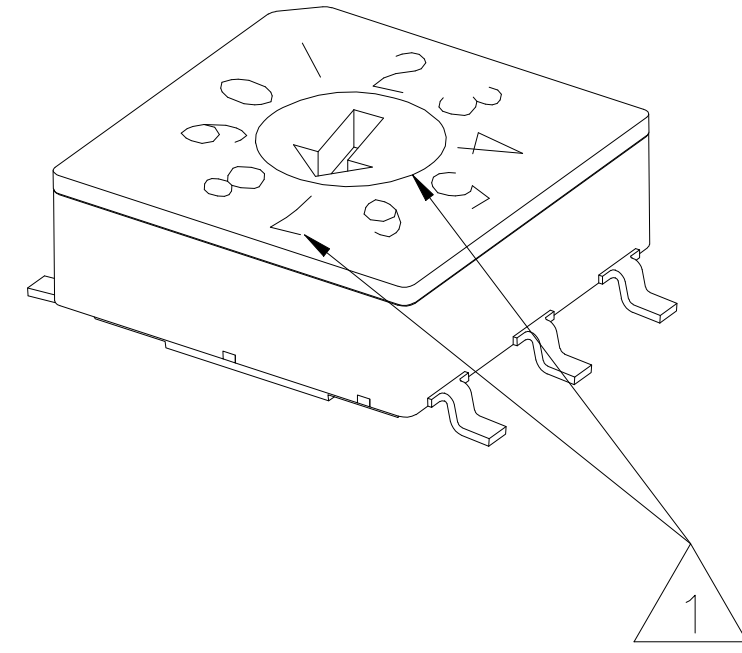
SEE SHEET 12 FOR CODE IDENTIFIER



CODE BINARY  
(COMPLEMENT/GRAY/REAL)  
GULLWING TERMINALS  
COVER COLOR BLACK  
PRINT MARKING  
10 POSITION



PCB Layout

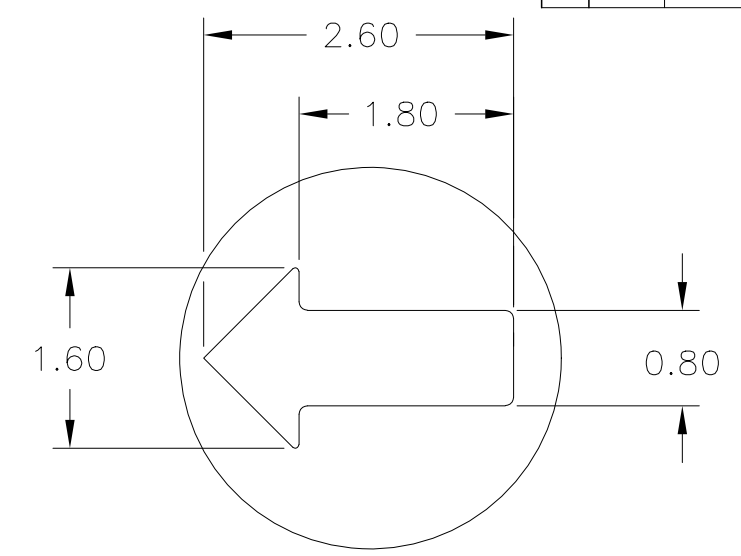
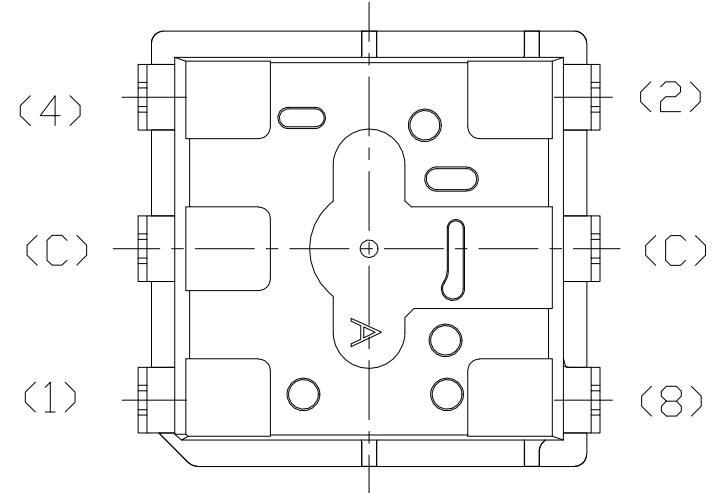
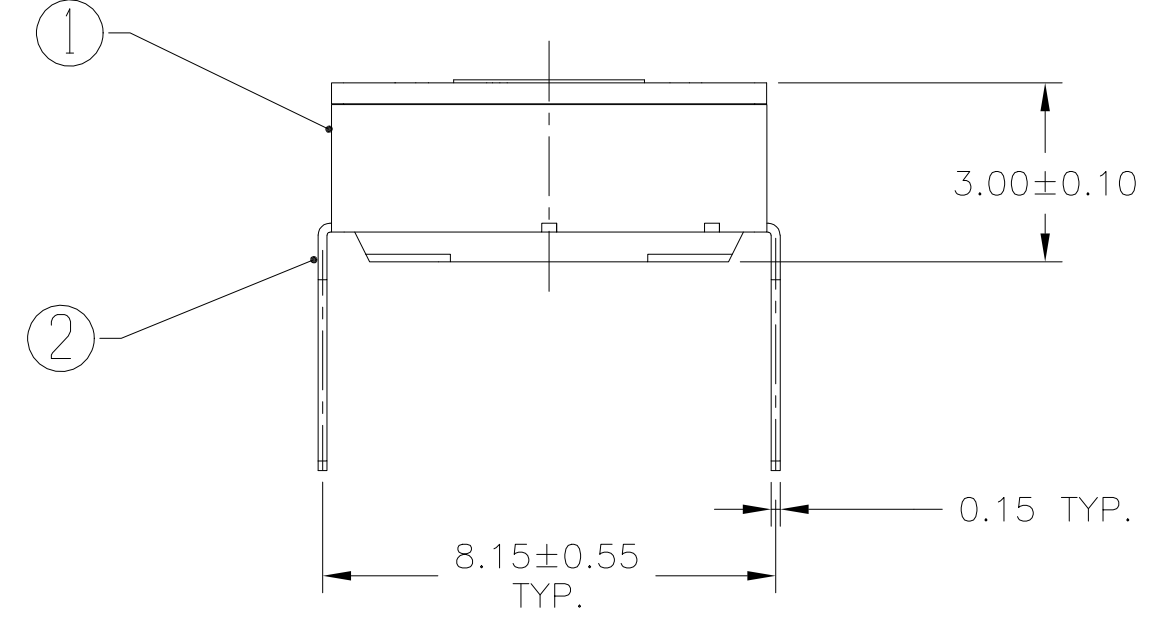
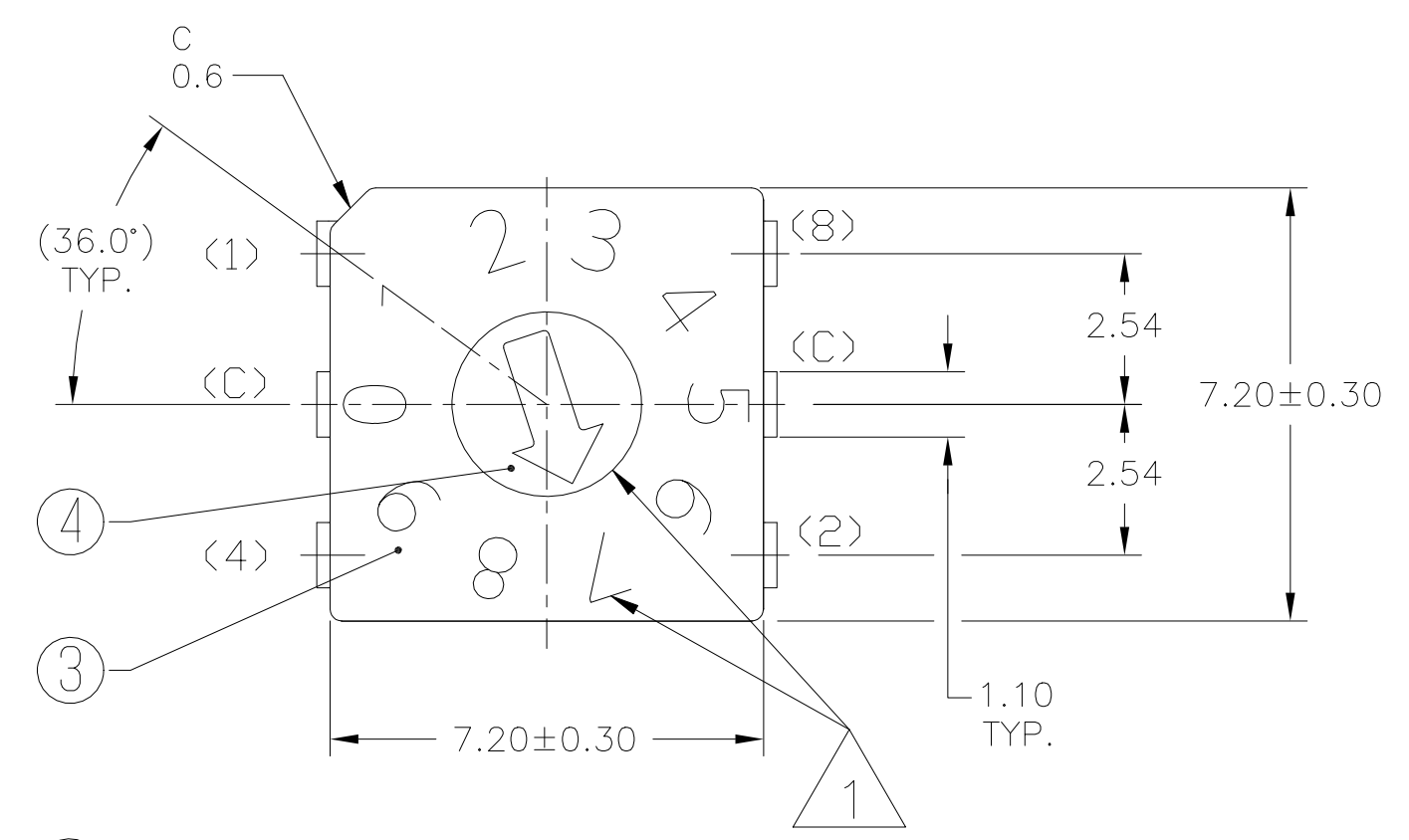


A Detail TYP.

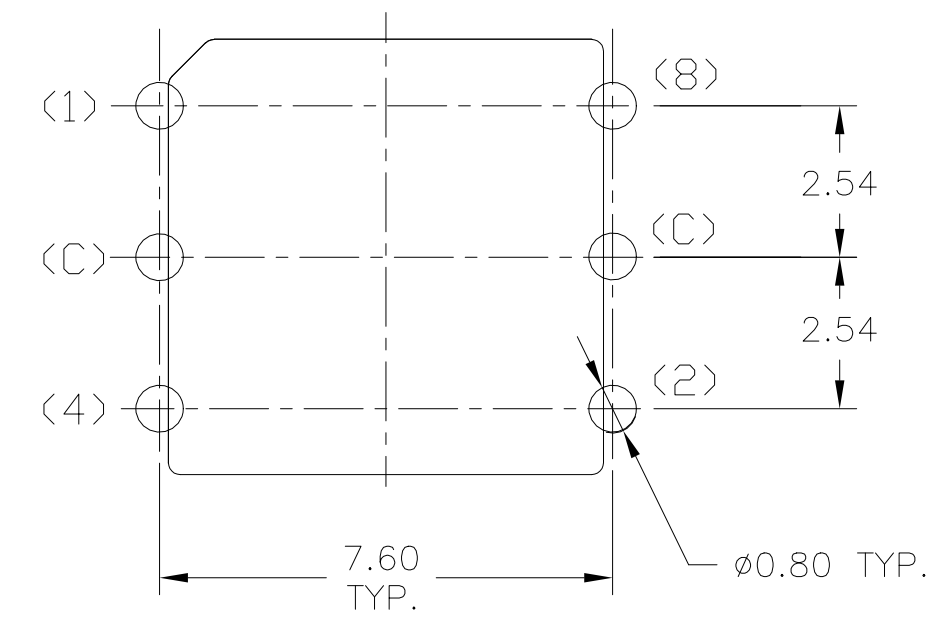
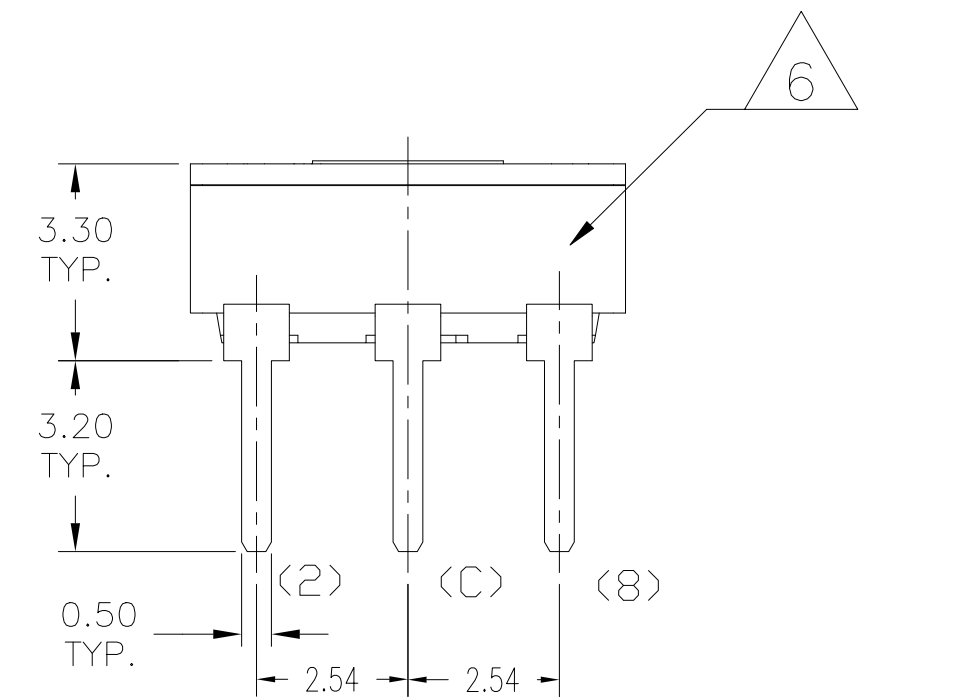
**PRELIMINARY**

THIS DRAWING IS A CONTROLLED DOCUMENT.		DWN 19JUL2022 SATHISH KUMAR_G	TE Connectivity																			
DIMENSIONS: mm		CHK 19JUL2022 ALEXANDER, SHARPE																				
TOLERANCES UNLESS OTHERWISE SPECIFIED: ±0.15		APVD 19JUL2022 ALEXANDER, SHARPE	NAME MRSS, MINIATURE ROTARY SWITCH SERIES, VERTICAL, 2.54 BLACK, PRINT MARKING																			
<table border="1"> <tr><td>0 PLC</td><td>±</td><td>=</td></tr> <tr><td>1 PLC</td><td>±</td><td>=</td></tr> <tr><td>2 PLC</td><td>±</td><td>=</td></tr> <tr><td>3 PLC</td><td>±</td><td>=</td></tr> <tr><td>4 PLC</td><td>±</td><td>=</td></tr> <tr><td>ANGLES</td><td>±</td><td>=</td></tr> </table>		0 PLC	±	=	1 PLC	±	=	2 PLC	±	=	3 PLC	±	=	4 PLC	±	=	ANGLES	±	=	PRODUCT SPEC	RESTRICTED TO	
0 PLC	±	=																				
1 PLC	±	=																				
2 PLC	±	=																				
3 PLC	±	=																				
4 PLC	±	=																				
ANGLES	±	=																				
MATERIAL		APPLICATION SPEC	SIZE A2	CAGE CODE 00779																		
FINISH		WEIGHT	DRAWING NO. C=2396234	SCALE 8:1																		
		CUSTOMER DRAWING	SHEET 2 OF 12	REV 1																		

REVISIONS					
P	LTR	DESCRIPTION	DATE	DWN	APVD
-	-	SEE SHEET 1	-	-	-

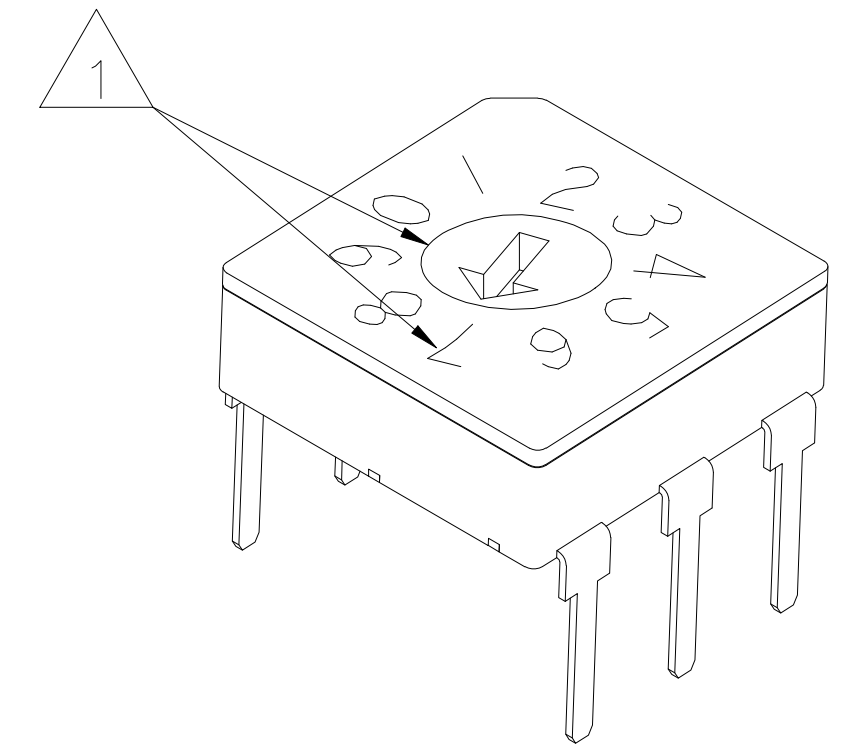


SEE SHEET 12 FOR  
CODE IDENTIFIER



PCB Layout

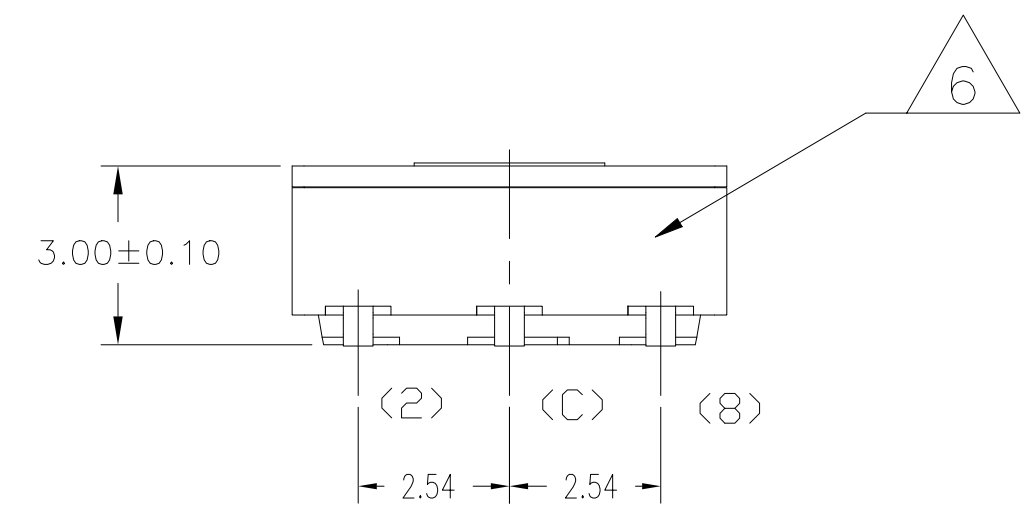
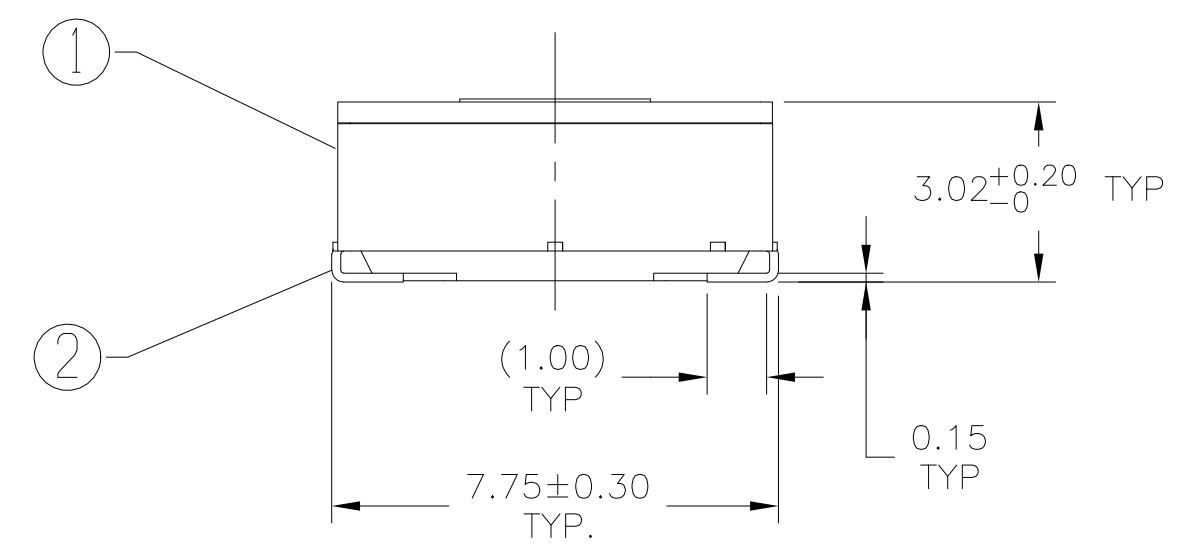
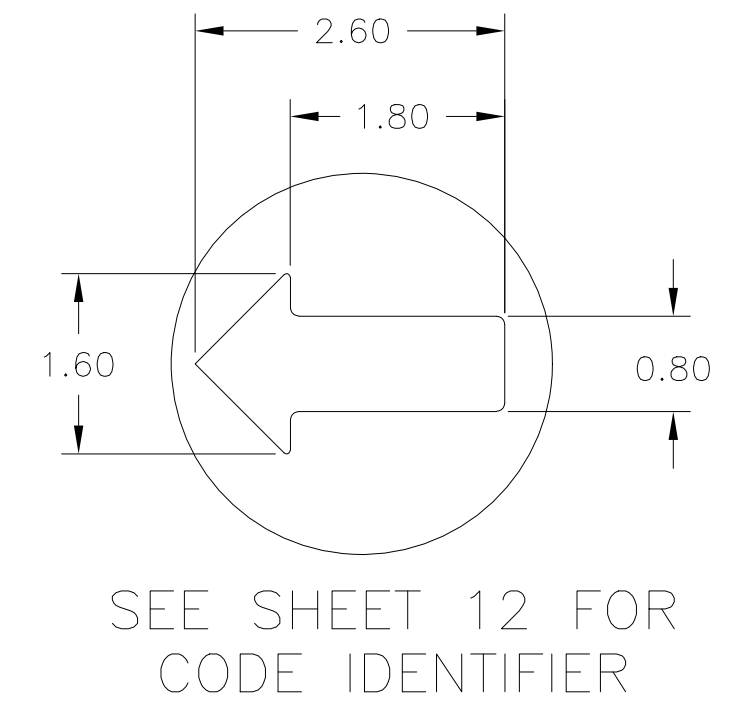
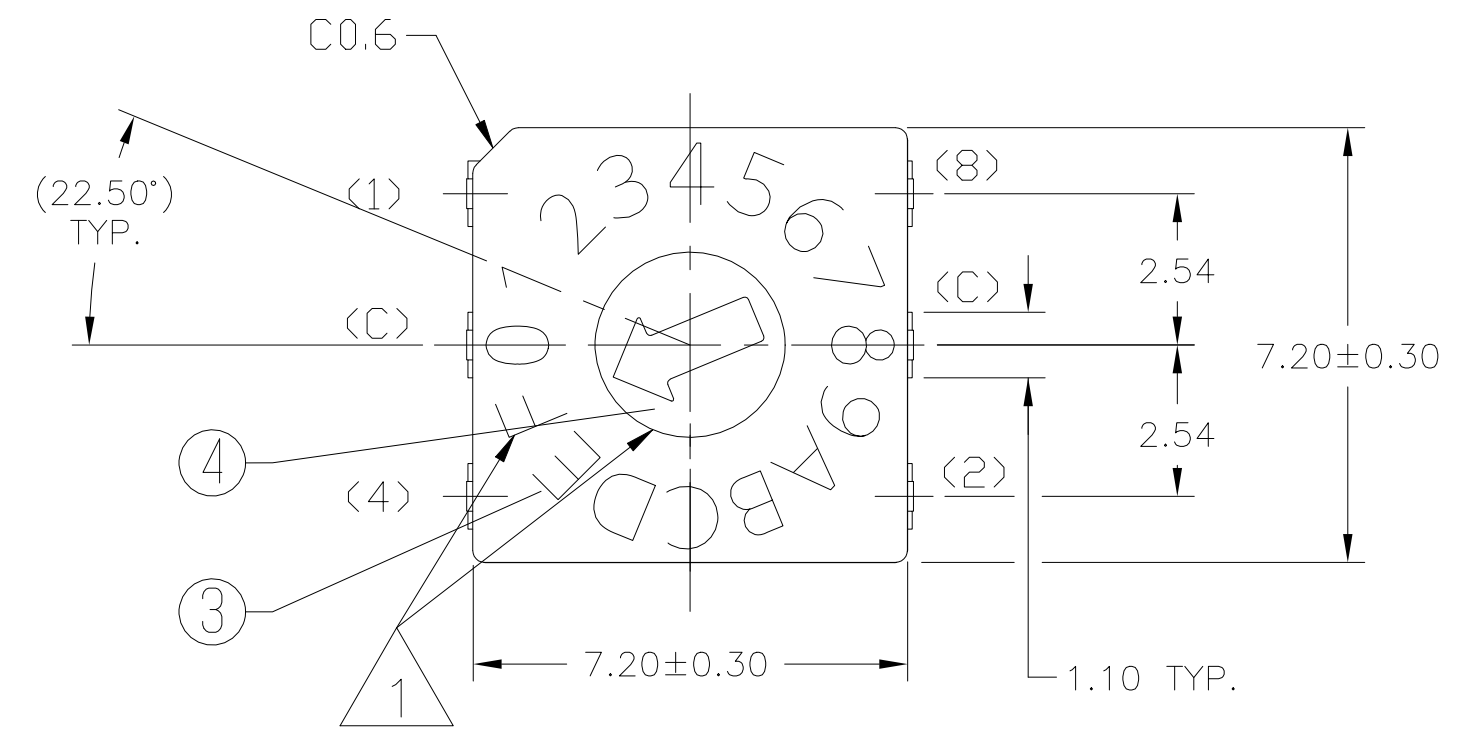
CODE BINARY  
(COMPLEMENT/GRAY/REAL)  
THROUGH-HOLE TERMINALS  
COVER COLOR BLACK  
PRINT MARKING  
10 POSITIONS



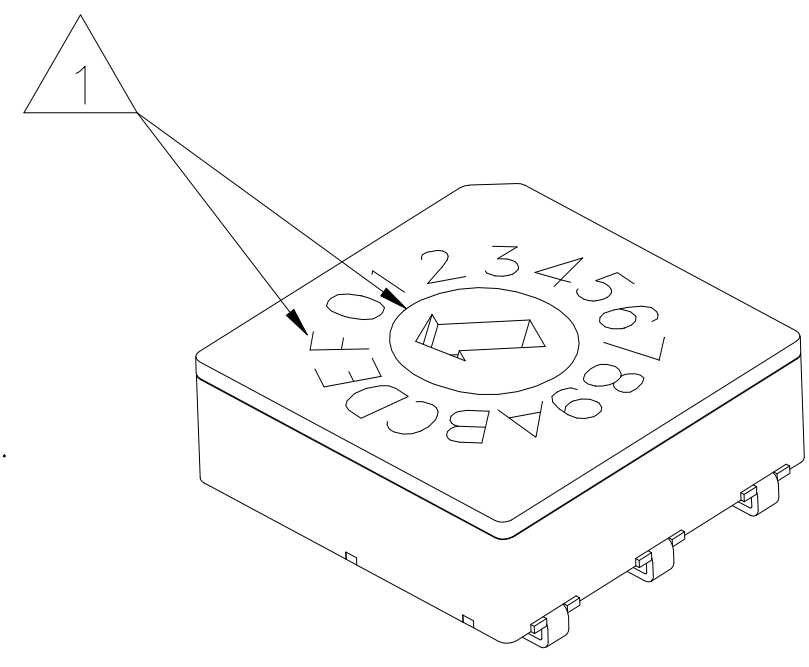
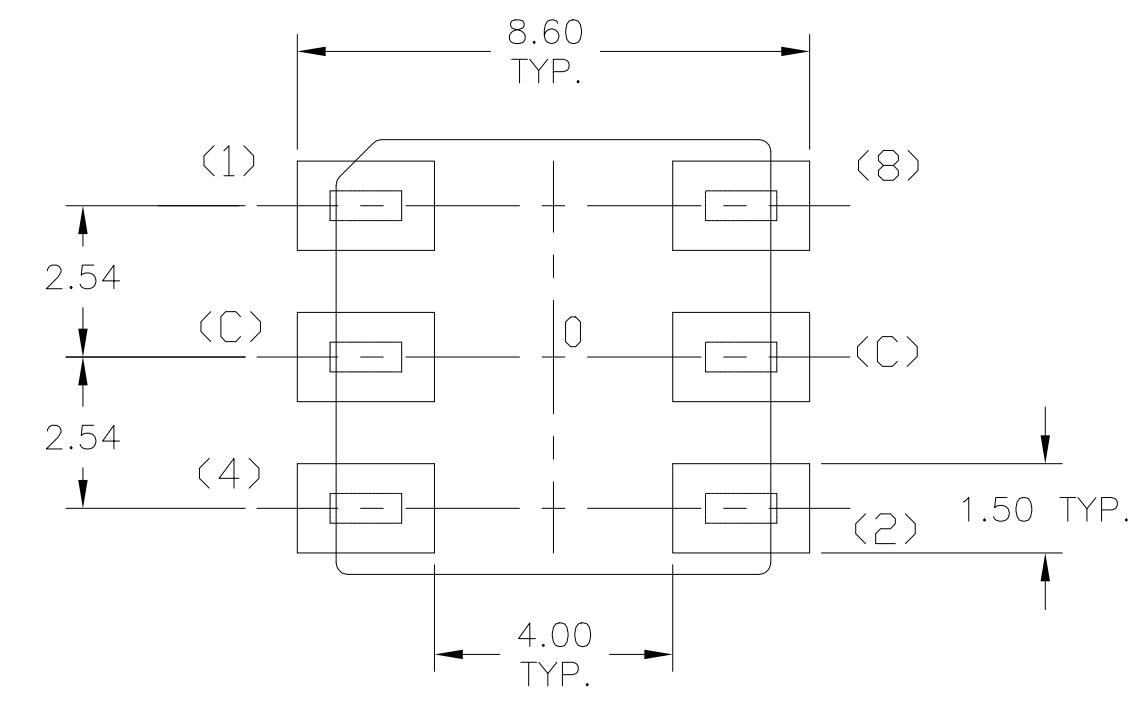
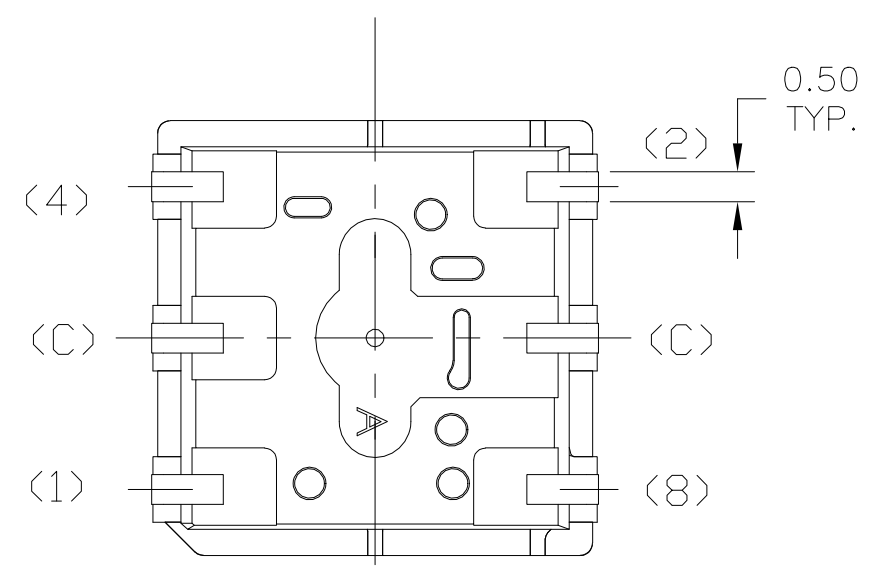
**PRELIMINARY**

THIS DRAWING IS A CONTROLLED DOCUMENT.		DWN SATHISH KUMAR_G 19JUL2022	<b>TE</b> TE Connectivity																			
DIMENSIONS: mm		CHK ALEXANDER, SHARPE 19JUL2022																				
TOLERANCES UNLESS OTHERWISE SPECIFIED: ±0.15		APVD ALEXANDER, SHARPE 19JUL2022	NAME MRSS, MINIATURE ROTARY SWITCH SERIES, VERTICAL, 2.54 BLACK, PRINT MARKING																			
<table border="1"> <tr><td>0 PLC</td><td>±</td><td>-</td></tr> <tr><td>1 PLC</td><td>±</td><td>-</td></tr> <tr><td>2 PLC</td><td>±</td><td>-</td></tr> <tr><td>3 PLC</td><td>±</td><td>-</td></tr> <tr><td>4 PLC</td><td>±</td><td>-</td></tr> <tr><td>ANGLES</td><td>±</td><td>-</td></tr> </table>		0 PLC	±	-	1 PLC	±	-	2 PLC	±	-	3 PLC	±	-	4 PLC	±	-	ANGLES	±	-	PRODUCT SPEC -	RESTRICTED TO -	
0 PLC	±	-																				
1 PLC	±	-																				
2 PLC	±	-																				
3 PLC	±	-																				
4 PLC	±	-																				
ANGLES	±	-																				
MATERIAL -	FINISH -	APPLICATION SPEC -	WEIGHT -	SCALE 8:1																		
CUSTOMER DRAWING			SIZE A2	CAGE CODE 00779																		
			DRAWING NO C=2396234	SHEET 3 OF 12																		
			REV 1																			

REVISIONS					
P	LTR	DESCRIPTION	DATE	DWN	APVD
-	-	SEE SHEET 1	-	-	-



CODE HEXADECIMAL  
 (COMPLEMENT/GRAY/REAL)  
 J-LEAD TERMINALS  
 COVER COLOR BLACK  
 PRINT MARKING  
 16 POSITION

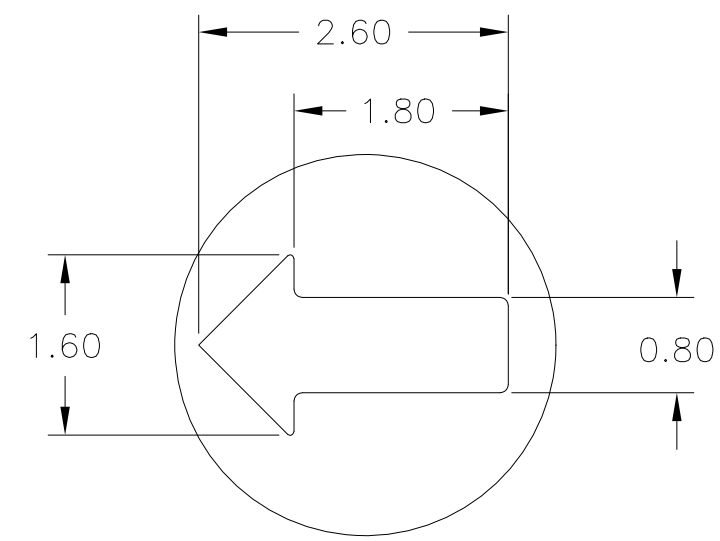
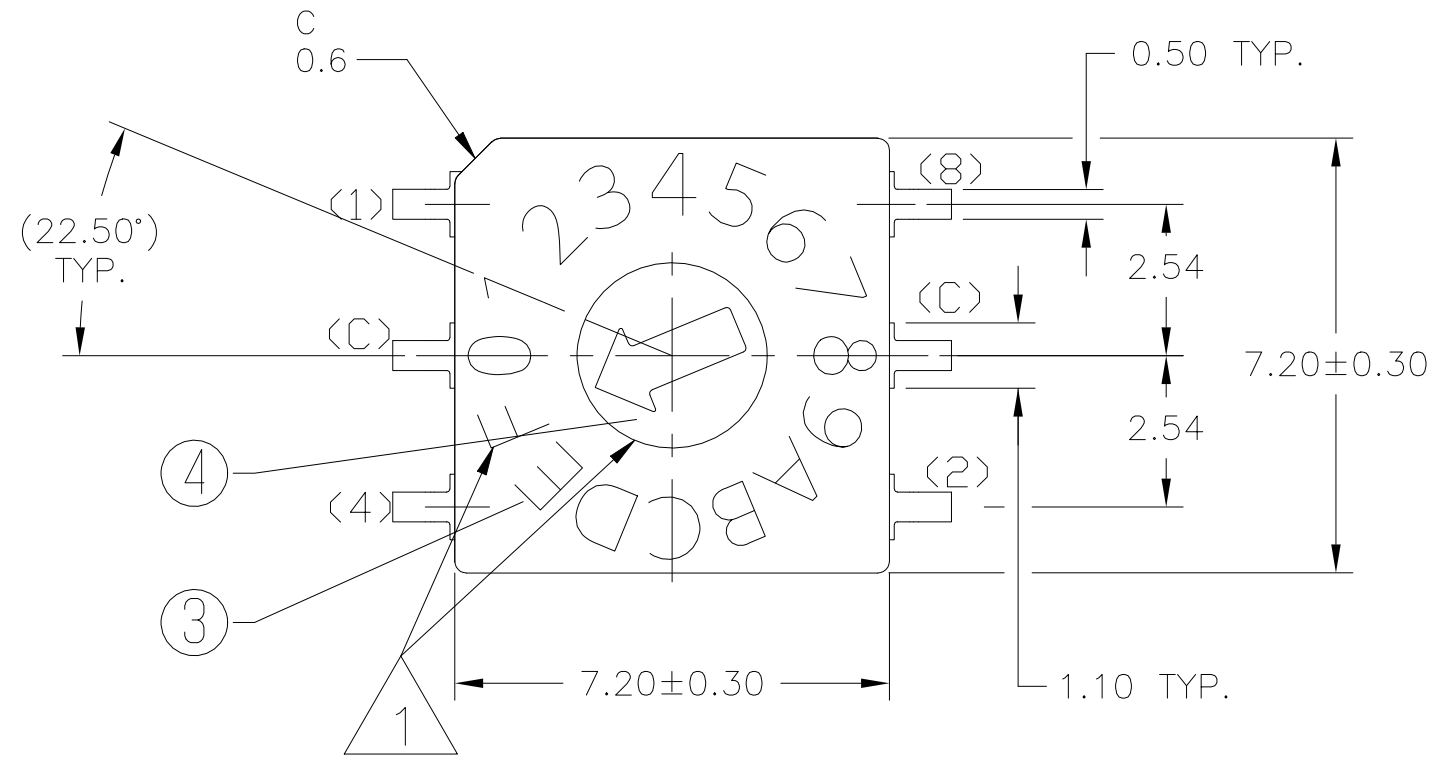


PCB Layout

**PRELIMINARY**

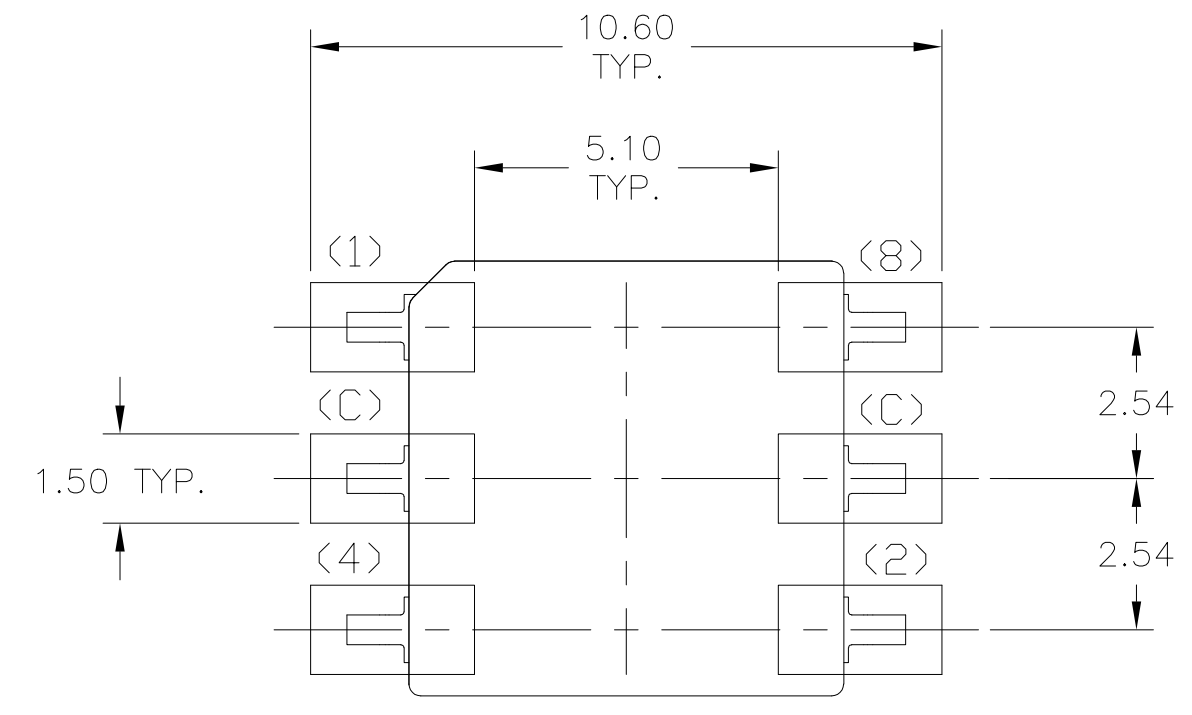
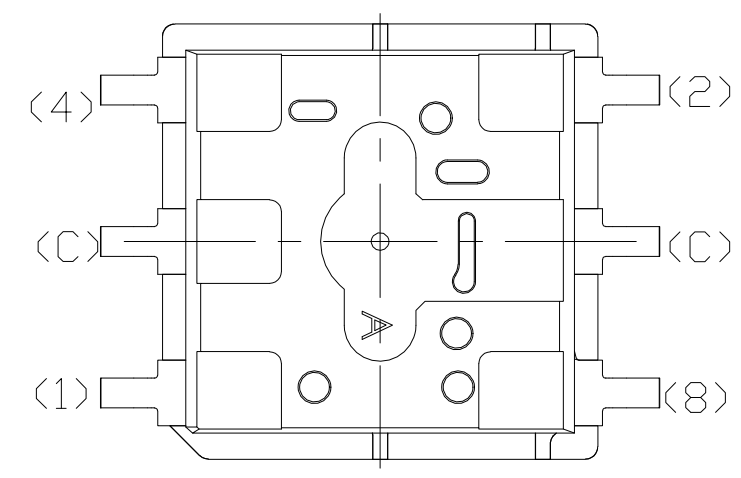
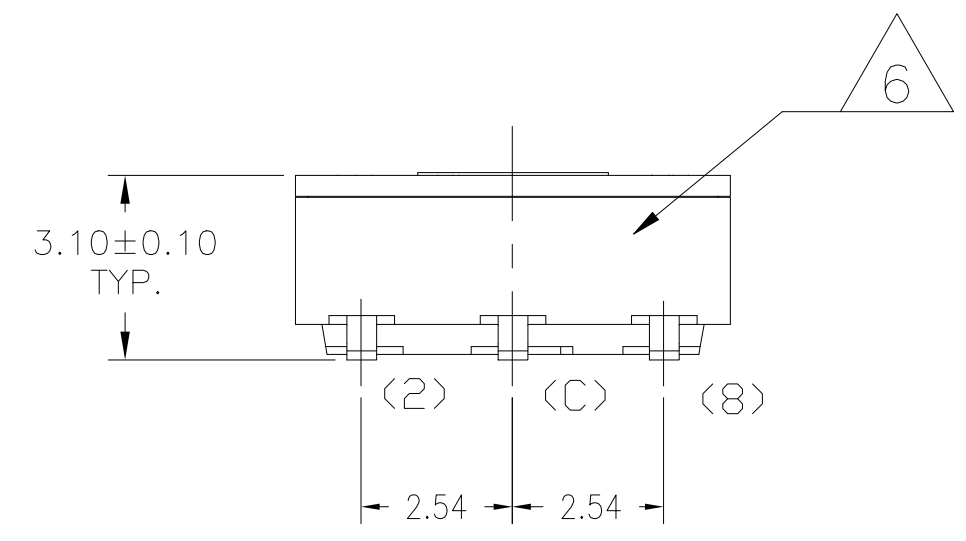
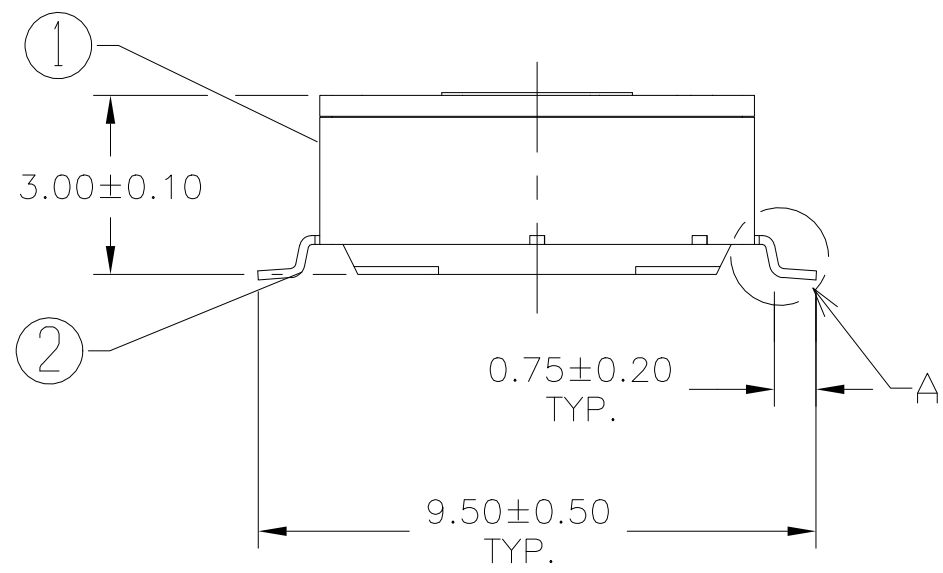
THIS DRAWING IS A CONTROLLED DOCUMENT.		DWN 19JUL2022 SATHISH KUMAR_G	TE Connectivity	
DIMENSIONS: mm		CHK 19JUL2022 ALEXANDER, SHARPE		
TOLERANCES UNLESS OTHERWISE SPECIFIED: ±0.15		APVD 19JUL2022 ALEXANDER, SHARPE	NAME MRSS, MINIATURE ROTARY SWITCH SERIES, VERTICAL, 2.54 BLACK, PRINT MARKING	
0 PLC ± = 1 PLC ± = 2 PLC ± = 3 PLC ± = 4 PLC ± = ANGLES ± =		PRODUCT SPEC	RESTRICTED TO	
MATERIAL		APPLICATION SPEC	SIZE A2	CAGE CODE 00779
FINISH		WEIGHT	DRAWING NO. C=2396234	SCALE 8:1
		CUSTOMER DRAWING	SHEET 4 OF 12	REV 1

REVISIONS					
P	LTR	DESCRIPTION	DATE	DWN	APVD
-	-	SEE SHEET 1	-	-	-

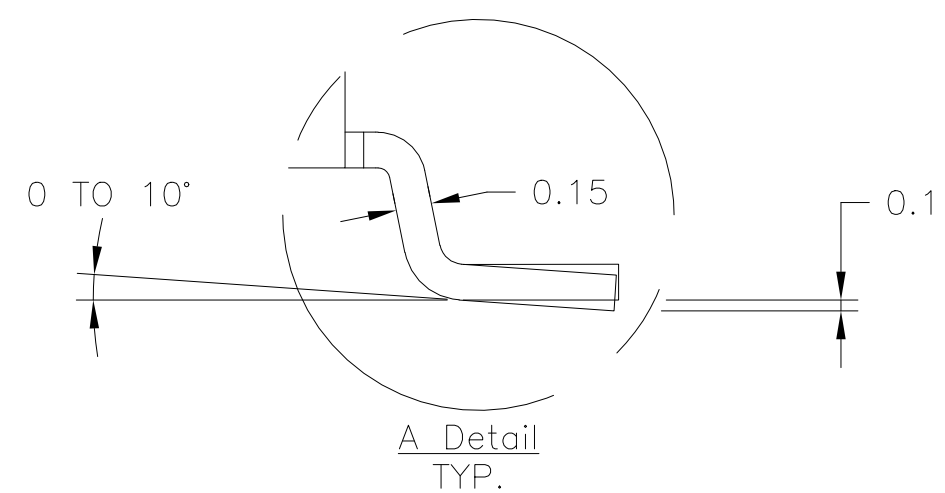
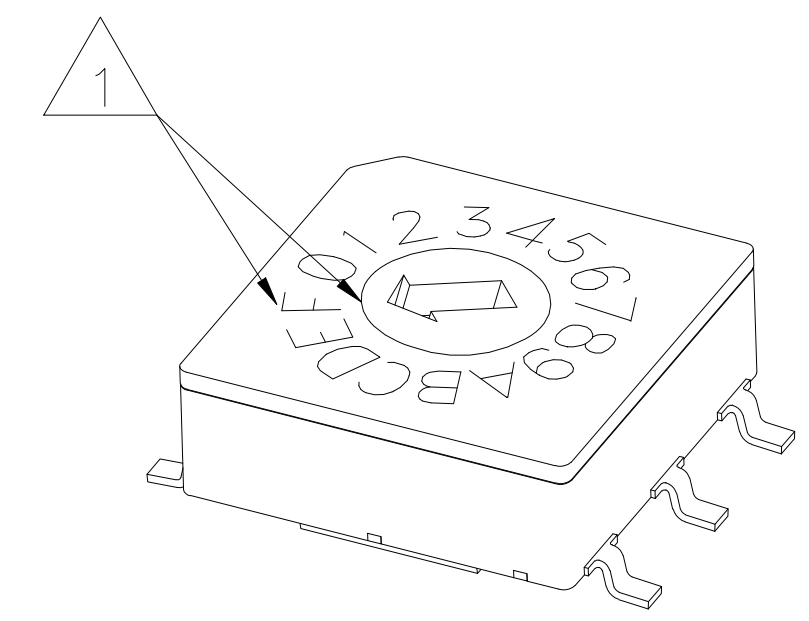


SEE SHEET 12 FOR CODE IDENTIFIER

CODE HEXADECIMAL  
(COMPLEMENT/GRAY/REAL)  
GULLWING TERMINALS  
COVER COLOR BLACK  
PRINT MARKING  
16 POSITION



PCB Layout

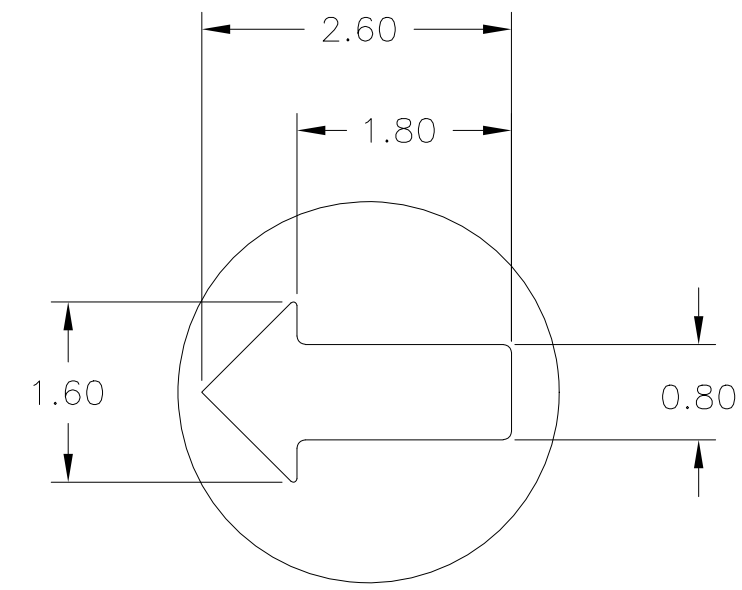
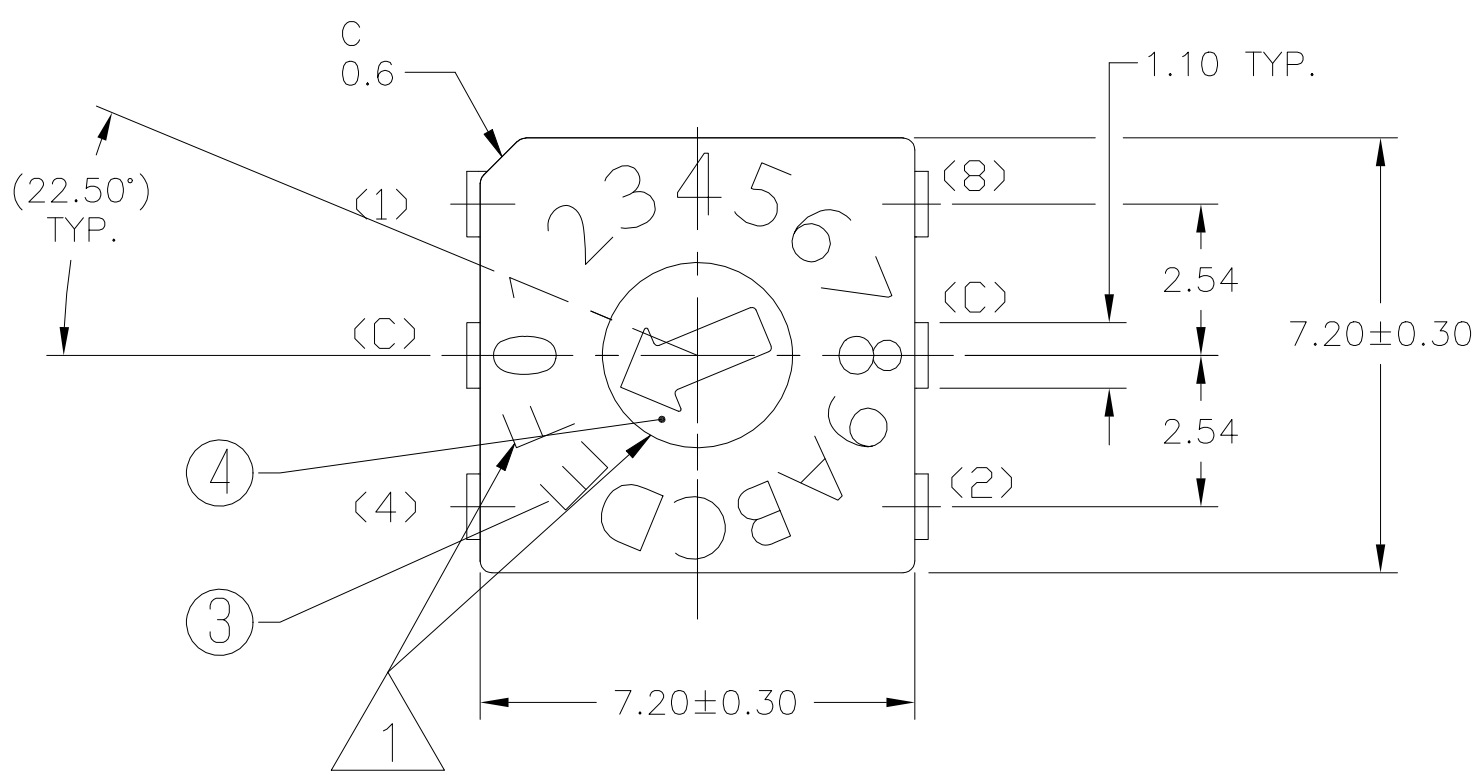


A Detail TYP.

**PRELIMINARY**

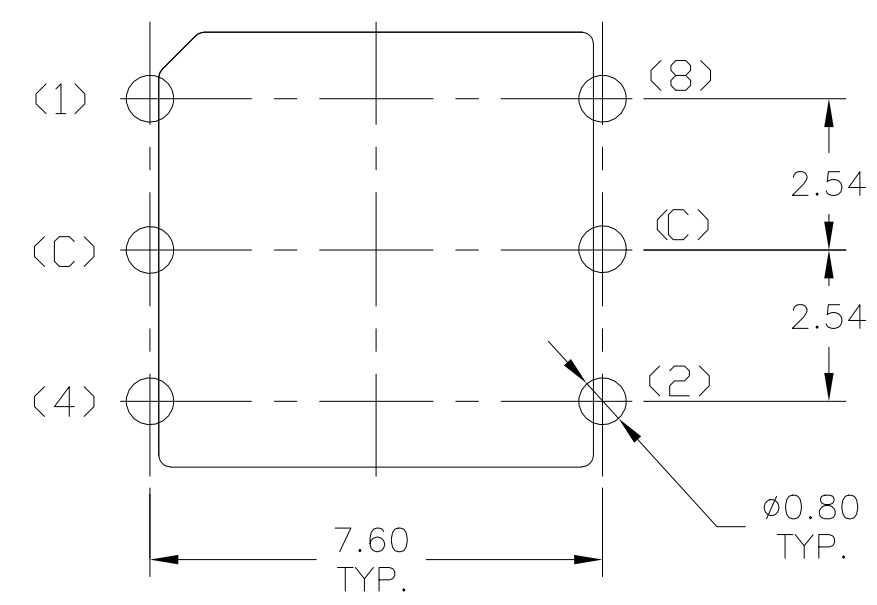
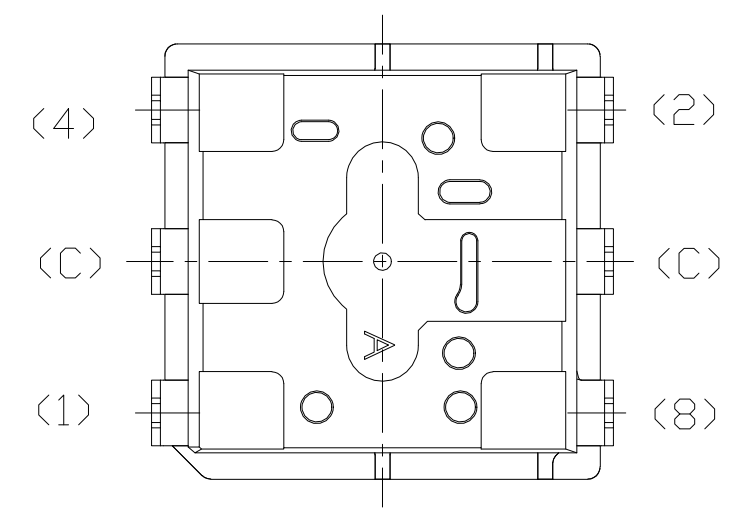
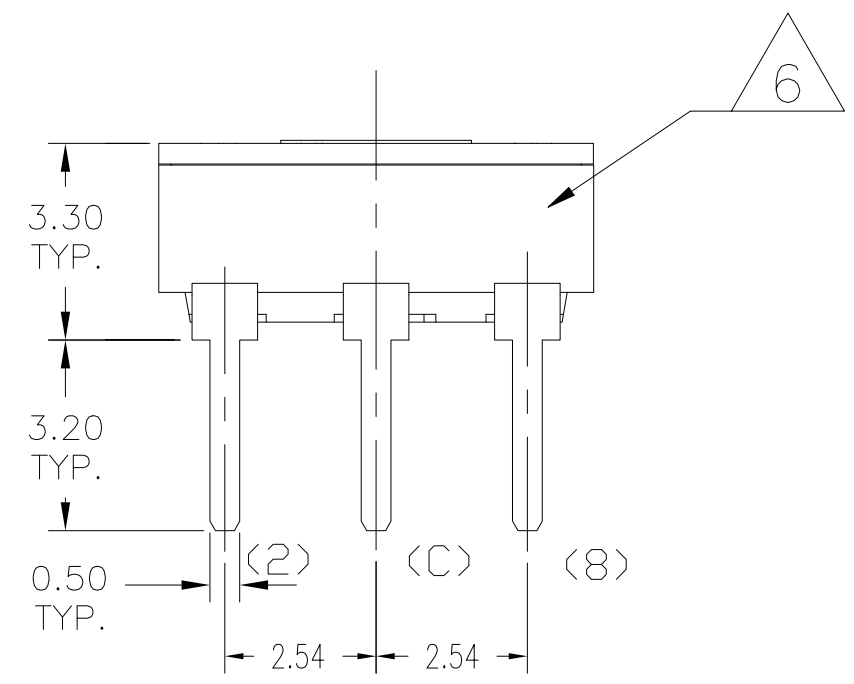
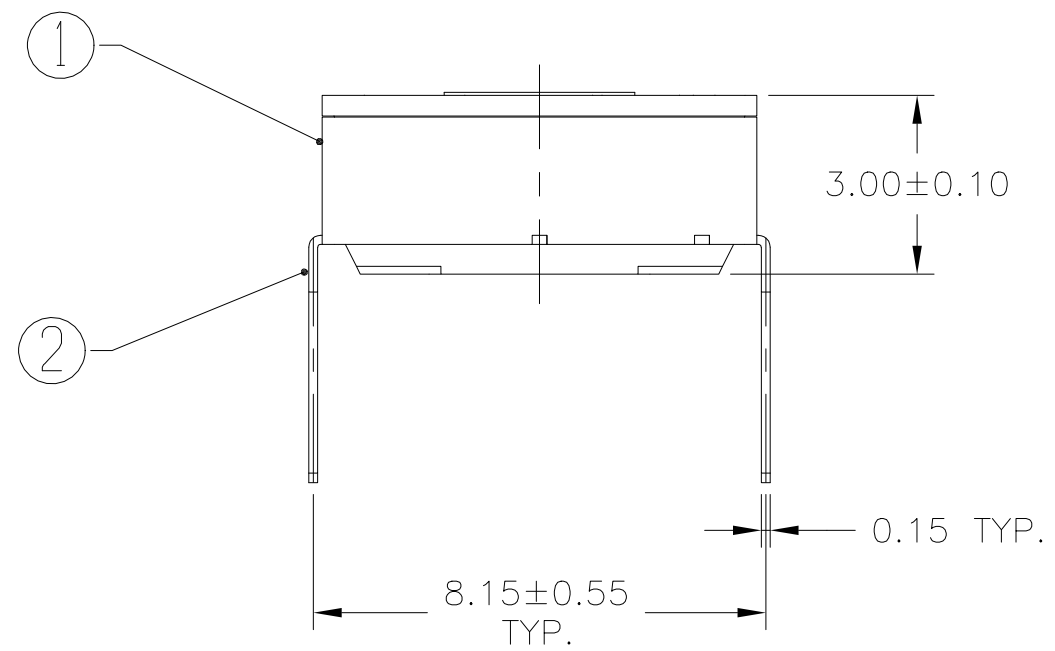
THIS DRAWING IS A CONTROLLED DOCUMENT.		DWN 19JUL2022 SATHISH KUMAR_G	TE Connectivity																			
DIMENSIONS: mm		CHK 19JUL2022 ALEXANDER, SHARPE																				
TOLERANCES UNLESS OTHERWISE SPECIFIED: ±0.15		APVD 19JUL2022 ALEXANDER, SHARPE	NAME MRSS, MINIATURE ROTARY SWITCH SERIES, VERTICAL, 2.54 BLACK, PRINT MARKING																			
<table border="1"> <tr><td>0 PLC</td><td>±</td><td>-</td></tr> <tr><td>1 PLC</td><td>±</td><td>-</td></tr> <tr><td>2 PLC</td><td>±</td><td>-</td></tr> <tr><td>3 PLC</td><td>±</td><td>-</td></tr> <tr><td>4 PLC</td><td>±</td><td>-</td></tr> <tr><td>ANGLES</td><td>±</td><td>-</td></tr> </table>		0 PLC	±	-	1 PLC	±	-	2 PLC	±	-	3 PLC	±	-	4 PLC	±	-	ANGLES	±	-	PRODUCT SPEC	RESTRICTED TO	
0 PLC	±	-																				
1 PLC	±	-																				
2 PLC	±	-																				
3 PLC	±	-																				
4 PLC	±	-																				
ANGLES	±	-																				
MATERIAL		APPLICATION SPEC	SIZE A2	CAGE CODE 00779																		
FINISH		WEIGHT	DRAWING NO. C=2396234	SCALE 8:1																		
		CUSTOMER DRAWING	SHEET 5 of 12	REV 1																		

REVISIONS					
P	LTR	DESCRIPTION	DATE	DWN	APVD
-	-	SEE SHEET 1	-	-	-

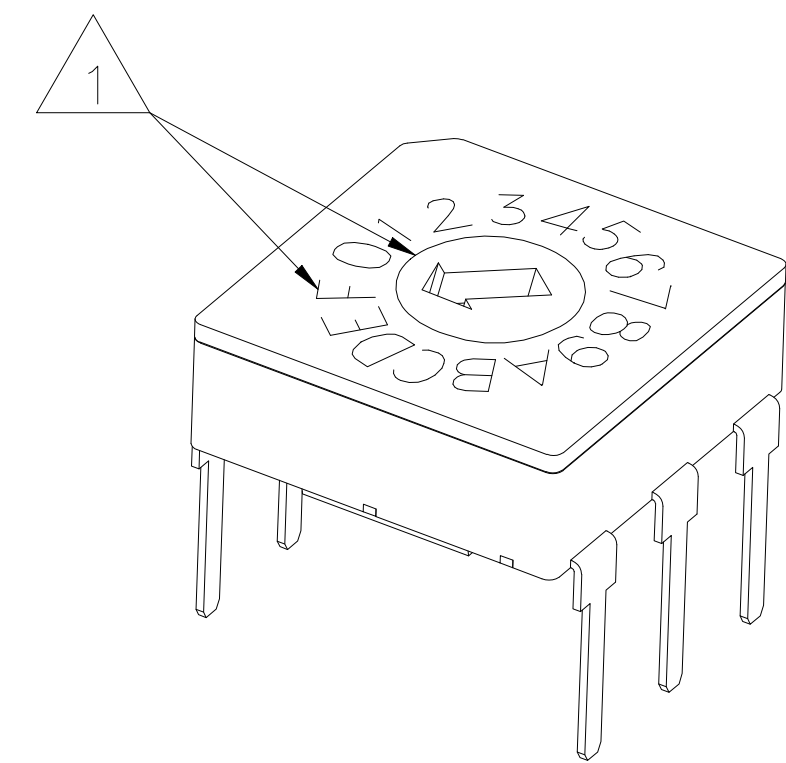


SEE SHEET 12 FOR CODE IDENTIFIER

CODE HEXADECIMAL  
(COMPLEMENT/GRAY/REAL)  
THROUGH-HOLE TERMINALS  
COVER COLOR BLACK  
PRINT MARKING  
16 POSITIONS



PCB Layout



**PRELIMINARY**

THIS DRAWING IS A CONTROLLED DOCUMENT.		DWN 19JUL2022 SATHISH KUMAR_G	TE Connectivity																			
DIMENSIONS: mm		CHK 19JUL2022 ALEXANDER, SHARPE																				
TOLERANCES UNLESS OTHERWISE SPECIFIED: ±0.15		APVD 19JUL2022 ALEXANDER, SHARPE	NAME MRSS, MINIATURE ROTARY SWITCH SERIES, VERTICAL, 2.54 BLACK, PRINT MARKING																			
<table border="0"> <tr><td>0 PLC</td><td>±</td><td>=</td></tr> <tr><td>1 PLC</td><td>±</td><td>=</td></tr> <tr><td>2 PLC</td><td>±</td><td>=</td></tr> <tr><td>3 PLC</td><td>±</td><td>=</td></tr> <tr><td>4 PLC</td><td>±</td><td>=</td></tr> <tr><td>ANGLES</td><td>±</td><td>=</td></tr> </table>		0 PLC	±	=	1 PLC	±	=	2 PLC	±	=	3 PLC	±	=	4 PLC	±	=	ANGLES	±	=	PRODUCT SPEC	SIZE	CAGE CODE
0 PLC	±	=																				
1 PLC	±	=																				
2 PLC	±	=																				
3 PLC	±	=																				
4 PLC	±	=																				
ANGLES	±	=																				
MATERIAL		APPLICATION SPEC	A2	00779																		
FINISH		WEIGHT	DRAWING NO C=2396234																			
		CUSTOMER DRAWING	SCALE	SHEET																		
			8:1	6 of 12																		
				REV 1																		

REVISIONS					
P	LTR	DESCRIPTION	DATE	DWN	APVD
-	-	SEE SHEET 1	-	-	-

10 POSITION, BINARY COMPLEMENT										
POS	0	1	2	3	4	5	6	7	8	9
C	X	X	X	X	X	X	X	X	X	X
1	X		X		X		X		X	
2	X	X			X	X			X	X
4	X	X	X	X					X	X
8	X	X	X	X	X	X	X	X		

16 POSITION, HEXADECIMAL COMPLEMENT																
POS	0	1	2	3	4	5	6	7	8	9	A	B	C	D	E	F
C	X	X	X	X	X	X	X	X	X	X	X	X	X	X	X	X
1	X		X		X		X		X		X		X		X	
2	X	X			X	X			X	X			X	X		
4	X	X	X	X					X	X	X	X				
8	X	X	X	X	X	X	X	X								

10 POSITION, BINARY GRAY										
POS	0	1	2	3	4	5	6	7	8	9
C	X	X	X	X	X	X	X	X	X	X
1		X	X			X	X			X
2			X	X	X	X				
4					X	X	X	X	X	X
8									X	X

16 POSITION, HEXADECIMAL GRAY																
POS	0	1	2	3	4	5	6	7	8	9	A	B	C	D	E	F
C	X	X	X	X	X	X	X	X	X	X	X	X	X	X	X	X
1		X	X			X	X			X	X			X	X	
2			X	X	X	X				X	X	X	X			
4					X	X	X	X	X	X	X					
8									X	X	X	X	X	X	X	X

10 POSITION, BINARY REAL										
POS	0	1	2	3	4	5	6	7	8	9
C	X	X	X	X	X	X	X	X	X	X
1		X		X		X		X		X
2			X	X			X	X		
4					X	X	X	X	X	X
8									X	X

16 POSITION, HEXADECIMAL REAL																
POS	0	1	2	3	4	5	6	7	8	9	A	B	C	D	E	F
C	X	X	X	X	X	X	X	X	X	X	X	X	X	X	X	X
1		X		X		X		X		X		X		X		X
2			X	X			X	X			X	X			X	X
4					X	X	X	X					X	X	X	X
8									X	X	X	X	X	X	X	X

LEGEND  
TE SMART PART NUMBER

ACTUATOR ORIENTATION  
V=VERTICAL  
H=HORIZONTAL

CONFIGURATION/PITCH/COVER COLOR OR BRACKET/MARKING:  
0=DIP/2.54/GRAY/LASER, SEE TE DRAWING 2396233  
1=DIP/2.54/BLACK/PRINTED  
4=SIP/1.27/STAINLESS STEEL/LASER, SEE TE DRAWING 2396236

ACTUATOR TYPE  
D=SCREWDRIVER SLOT, FLUSH

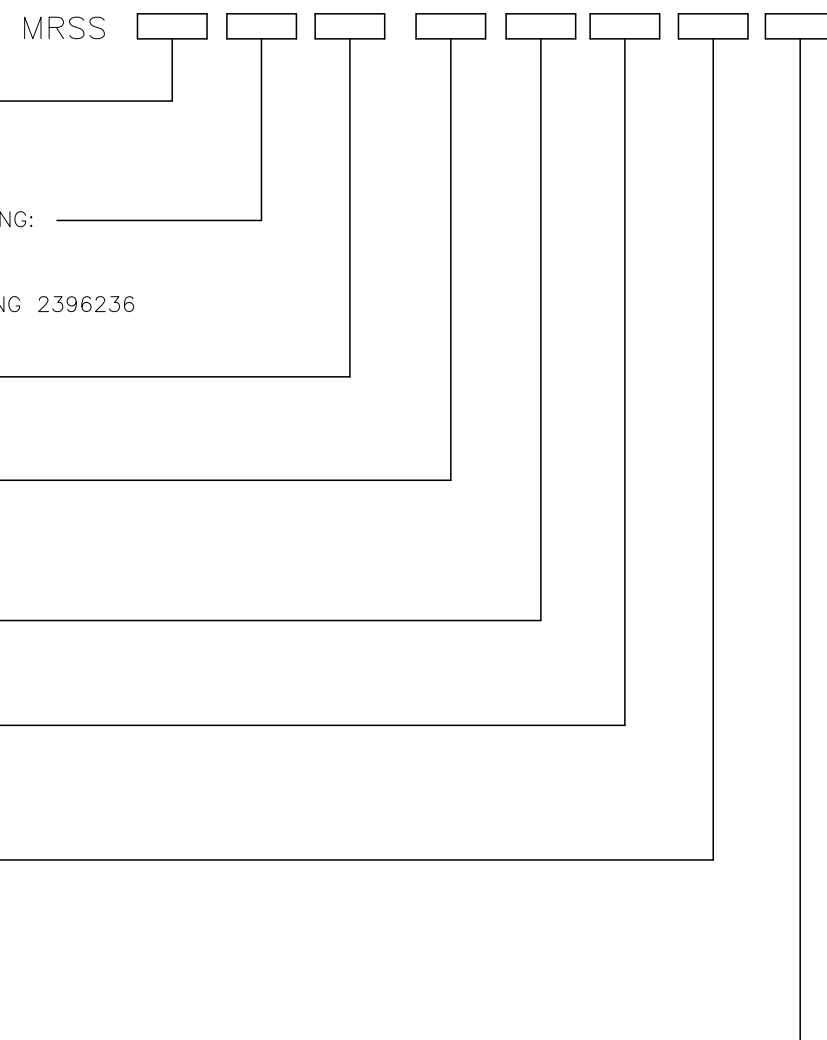
CODE  
C=COMPLEMENT  
G=GRAY  
R=REAL

POSITIONS  
10  
16

TERMINATION TYPE  
SM =SURFACE MOUNT  
TH =THROUGH-HOLE

SOLDER TERMINAL CONFIGURATION:  
J = J-LEAD  
GW=GULLWING  
BLANK=THROUGH-HOLE

PACKAGING:  
T = TUBE  
TR=TAPE AND REEL



ACTUATION	ACTUATOR POSITION	CODE	POSITIONS	SOLDER TERMINAL CONFIGURATION	PACKAGING	TE SMART PART NUMBER	TE PART NUMBER
SCREWDRIVER SLOT, FLUSH	0	HEXADECIMAL REAL	16	THROUGH-HOLE	TUBE	MRSSV1DR16THT	3-2396234-0
				GULLWING	TUBE	MRSSV1DR16SMGWT	2-2396234-9
				J-LEAD	TAPE & REEL	MRSSV1DR16SMGWTR	2-2396234-8
		BINARY REAL	10	THROUGH-HOLE	TUBE	MRSSV1DR10THT	2-2396234-5
				GULLWING	TUBE	MRSSV1DR10SMGWT	2-2396234-4
				J-LEAD	TAPE & REEL	MRSSV1DR10SMGWTR	2-2396234-3
	HEXADECIMAL GRAY	16	THROUGH-HOLE	TUBE	MRSSV1DG16THT	2-2396234-0	
			GULLWING	TUBE	MRSSV1DG16SMGWT	1-2396234-9	
			J-LEAD	TAPE & REEL	MRSSV1DG16SMGWTR	1-2396234-8	
	BINARY GRAY	10	THROUGH-HOLE	TUBE	MRSSV1DG10THT	1-2396234-5	
			GULLWING	TUBE	MRSSV1DG10SMGWT	1-2396234-4	
			J-LEAD	TAPE & REEL	MRSSV1DG10SMGWTR	1-2396234-3	
F	HEXADECIMAL COMPLEMENT	16	THROUGH-HOLE	TUBE	MRSSV1DC16THT	1-2396234-0	
			GULLWING	TUBE	MRSSV1DC16SMGWT	2396234-9	
			J-LEAD	TAPE & REEL	MRSSV1DC16SMGWTR	2396234-8	
7	BINARY COMPLEMENT	10	THROUGH-HOLE	TUBE	MRSSV1DC10THT	2396234-5	
			GULLWING	TUBE	MRSSV1DC10SMGWT	2396234-4	
			J-LEAD	TAPE & REEL	MRSSV1DC10SMGWTR	2396234-3	
				THROUGH-HOLE	TUBE	MRSSV1DC10SMJTR	2396234-2
				J-LEAD	TAPE & REEL	MRSSV1DC10SMJTR	2396234-1

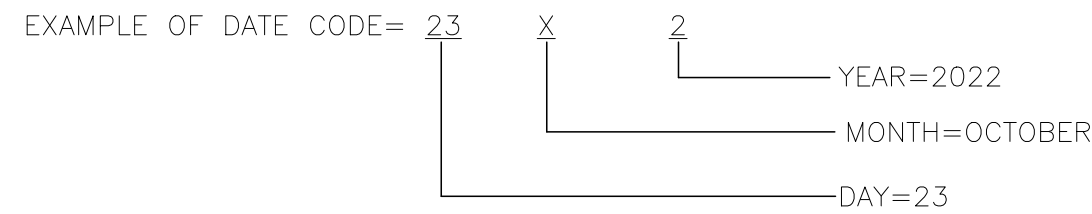
**PRELIMINARY**

THIS DRAWING IS A CONTROLLED DOCUMENT.

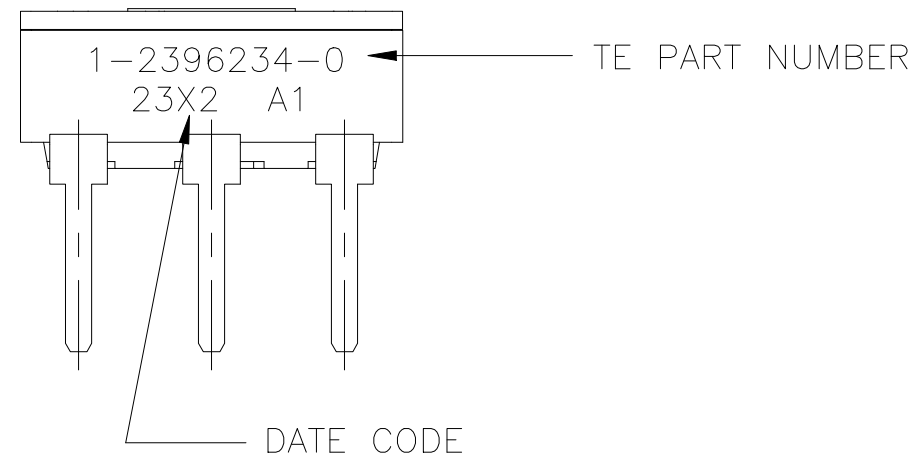
DIMENSIONS: mm	TOLERANCES UNLESS OTHERWISE SPECIFIED:	DWN 19JUL2022 SATHISH KUMAR G	TE Connectivity
	0 PLC ± - 1 PLC ± - 2 PLC ± - 3 PLC ± - 4 PLC ± - ANGLES ± -	CHK 19JUL2022 ALEXANDER, SHARPE	
MATERIAL	FINISH	APVD 19JUL2022 ALEXANDER, SHARPE	NAME MRSS, MINIATURE ROTARY SWITCH SERIES, VERTICAL, 2.54 BLACK, PRINT MARKING
		APPLICATION SPEC	SIZE A2 CAGE CODE 00779 DRAWING NO C=2396234 RESTRICTED TO
		WEIGHT	SCALE 8:1 SHEET 7 OF 12 REV 1
		CUSTOMER DRAWING	

NOTES:

1. SEE TABLE, SHEET 7 OF 12 FOR ACTUATOR POSITION WHEN DELIVERED, THE SWITCH SHALL REMAIN IN THIS POSITION DURING MOUNTING/TERMINATION TO AND CLEANING OF THE P.C.BOARD.
2. COMPLIANCE: THE CURRENT STATEMENT OF COMPLIANCE IS AVAILABLE AT TE.COM
3. IF THE SWITCH IS NOT ACTUATED FOR AN EXTENDED PERIOD OF TIME, SIX MONTHS, IT MAY REQUIRE ACTUATING TO RESTORE SWITCH FUNCTION.
4. MSL 1 PER JIS C61760-4:2016 AND IEC 61760-4:2015
5. TAPE AND REEL PER EIA 481 TAPE WIDTH 16MM, PITCH 16MM, SEE SHEET 9 OF 12.
6. TE PART NUMBER AND DATE CODE



- MONTH=
- 1 = JANUARY
  - 2 = FEBRUARY
  - 3 = MARCH
  - 4 = APRIL
  - 5 = MAY
  - 6 = JUNE
  - 7 = JULY
  - 8 = AUGUST
  - 9 = SEPTEMBER
  - X = OCTOBER
  - Y = NOVEMBER
  - Z = DECEMBER



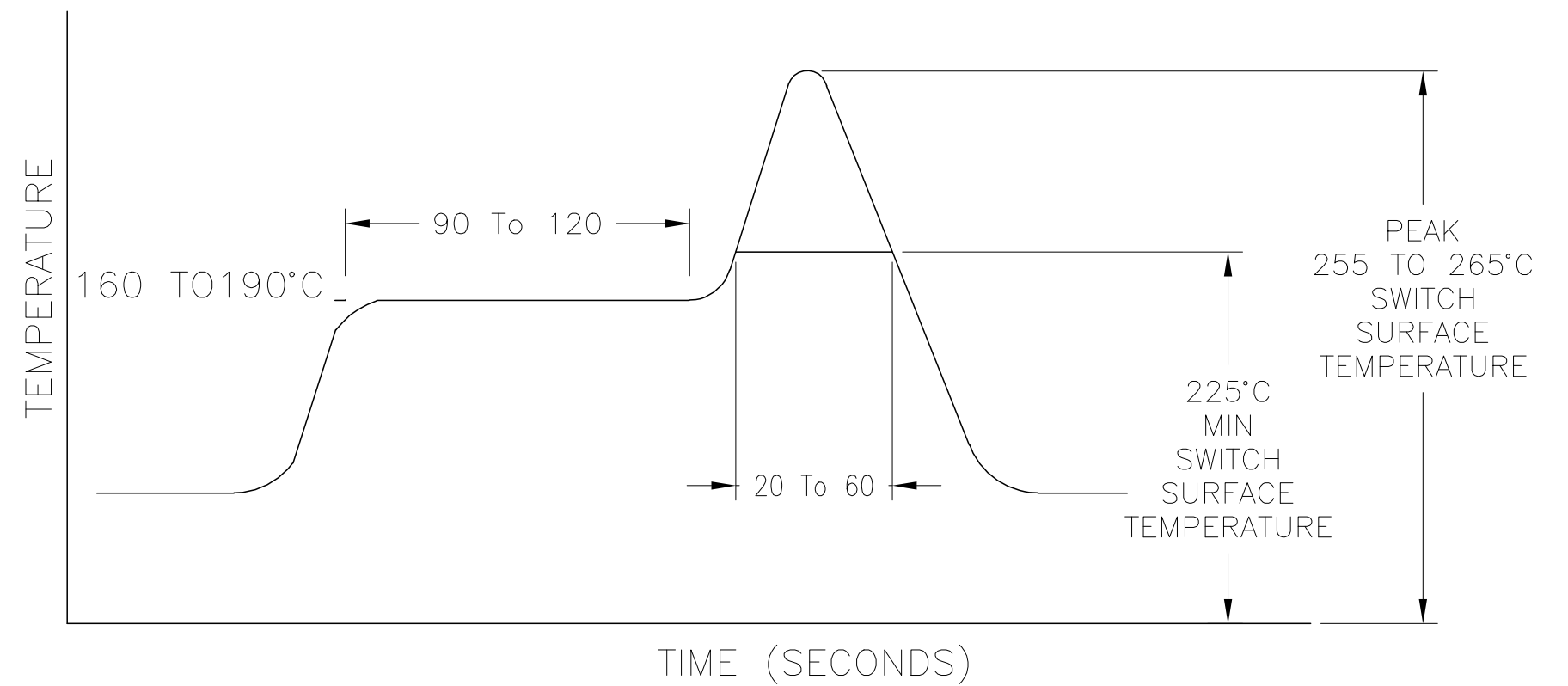
SPECIFICATIONS:

OPERATING CURRENT, 0.4VA @ 20VAC OR DC, MAXIMUM.  
 MINIMUM SWITCHING CURRENT, 0.1µA @ 1mV MINIMUM.  
 MAXIMUM SWITCHING CURRENT(DURING MAKE OR BREAK), 10mA@5VDC  
 NONE SWITCHING CURRENT 100mA@50VDC MAXIMUM  
 INITIAL CONTACT RESISTANCE, 100 MILLIOHMS MAX. @ 2V DC 10MILLIAMP  
 CONTACT RESISTANCE AFTER TEST AND PCB TERMINATION, 300 MILLIOHMS MAX.  
 INSULATION RESISTANCE, 1,000 MEGOHMS MIN. @ 250 VDC  
 DIELECTRIC STRENGTH, 250 VAC , 1 MINUTE  
 ELECTRICAL LIFE, 10,000 ACTUATIONS MIN. @ 5V DC 10MILLIAMP  
 MECHANICAL LIFE, 10,000 ACTUATIONS MIN. AT NO LOAD  
 INITIAL ACTUATION TORQUE, 2.0 TO 19.6mN.m.  
 TEMPERATURE RANGE, -40 TO +85°C

SOLDERING CONDITIONS

MANUAL	TEMPERATURE OF SOLDER IRON TIP: 320°C MAX. FOR 4±1 SECONDS	PRINTED CIRCUIT BOARD THICKNESS 1.6
WAVE (FOR THROUGH-HOLE)	PREHEAT 100 TO 105°C FOR 30±5 SECONDS	
	SOLDER TEMPERATURE 265°C±3°C FOR 8±2 SECONDS	
REFLOW (FOR GULLWING AND J-LEAD)	PREHEAT 160 TO 190°C FOR 90 TO 120 SECONDS	
	REFLOW TEMPERATURE 225°C (SWITCH SURFACE) FOR 20 TO 60 SECONDS	
	PEAK TEMPERATURE 255 TO 265°C (SWITCH SURFACE)	
	MAXIMUM NUMBER OF EXPOSURES TO REFLOW PROCESS IS 2	

REFLOW SOLDER PROFILE FOR J-LEAD AND GULLWING TERMINALS



1	N/A	STAINLESS STEEL	PLATE	7
1	GOLD OVER NICKEL	COPPER ALLOY	CONTACT	6
1	N/A	FPM (FLUOROCARBON)	O-RING	5
1	WHITE	LCP	ACTUATOR	4
1	BLACK	POLYPHENYLENE SULFIDE	COVER	3
6	GOLD OVER NICKEL	BRASS	TERMINAL	2
1	BLACK	POLYPHENYLENE SULFIDE	CASE	1
QTY	FINISH/COLOR	MATERIAL	COMPONENT	ITEM

THIS DRAWING IS A CONTROLLED DOCUMENT.

DWN 19JUL2022 SATHISH KUMAR G  
 CHK 19JUL2022 ALEXANDER, SHARPE  
 APVD 19JUL2022 ALEXANDER, SHARPE

TE Connectivity

NAME: MRSS, MINIATURE ROTARY SWITCH SERIES, VERTICAL, 2.54 BLACK, PRINT MARKING

SIZE: A2 CAGE CODE: 00779 DRAWING NO: 2396234 RESTRICTED TO: -

SCALE: 8:1 SHEET: 8 of 12 REV: 1

CUSTOMER DRAWING

**PRELIMINARY**



4

3

2

1

© 2022 TE Connectivity. All Rights Reserved.

PACKAGING SPECIFICATIONS  
TAPE AND REEL FOR SMT, J-LEAD TERMINALS

REVISIONS					
P	LTR	DESCRIPTION	DATE	DWN	APVD
-	-	SEE SHEET 1	-	-	-

SECTION A-A  
MAX R0.3

SECTION B-B  
MAX 5°  
MAX R0.3

PULLOUT DIRECTION

120° TYP.  
R120  
40°  
2  
2 TYP.  
PULLOUT DIRECTION  
16.4  
16.4  
1000 PCS PER REEL

TAPE AND REEL FOR SMT, GULLWING TERMINALS

SECTION C-C  
MAX 5°  
MAX R0.3

PULLOUT DIRECTION

CARRIER TAPE  
COVER TAPE

SECTION D-D  
MAX 5°  
MAX R0.3

MOISTURE BARRIER BAG  
DESICCANT  
CARD BOARD BOX  
2000 PCS TOTAL (2 REELS) PER BOX

**PRELIMINARY**

THIS DRAWING IS A CONTROLLED DOCUMENT.		DWN SATHISH KUMAR G 19JUL2022																				
DIMENSIONS: mm		CHK ALEXANDER, SHARPE 19JUL2022																				
TOLERANCES UNLESS OTHERWISE SPECIFIED:		APVD ALEXANDER, SHARPE 19JUL2022	NAME MRSS, MINIATURE ROTARY SWITCH SERIES, VERTICAL, 2.54 BLACK, PRINT MARKING																			
<table border="1"> <tr> <td>0 PLC</td> <td>±</td> <td>=</td> </tr> <tr> <td>1 PLC</td> <td>±</td> <td>-</td> </tr> <tr> <td>2 PLC</td> <td>±</td> <td>-</td> </tr> <tr> <td>3 PLC</td> <td>±</td> <td>-</td> </tr> <tr> <td>4 PLC</td> <td>±</td> <td>-</td> </tr> <tr> <td>ANGLES</td> <td>±</td> <td>-</td> </tr> </table>		0 PLC	±	=	1 PLC	±	-	2 PLC	±	-	3 PLC	±	-	4 PLC	±	-	ANGLES	±	-	PRODUCT SPEC -	APPLICATION SPEC -	
0 PLC	±	=																				
1 PLC	±	-																				
2 PLC	±	-																				
3 PLC	±	-																				
4 PLC	±	-																				
ANGLES	±	-																				
MATERIAL -		FINISH -	WEIGHT -	SCALE 8:1																		
CUSTOMER DRAWING			SIZE A2	RESTRICTED TO -																		
			CAGE CODE 00779	DRAWING NO C=2396234																		
			SHEET 9 of 12	REV 1																		

1471-9 (1/15)

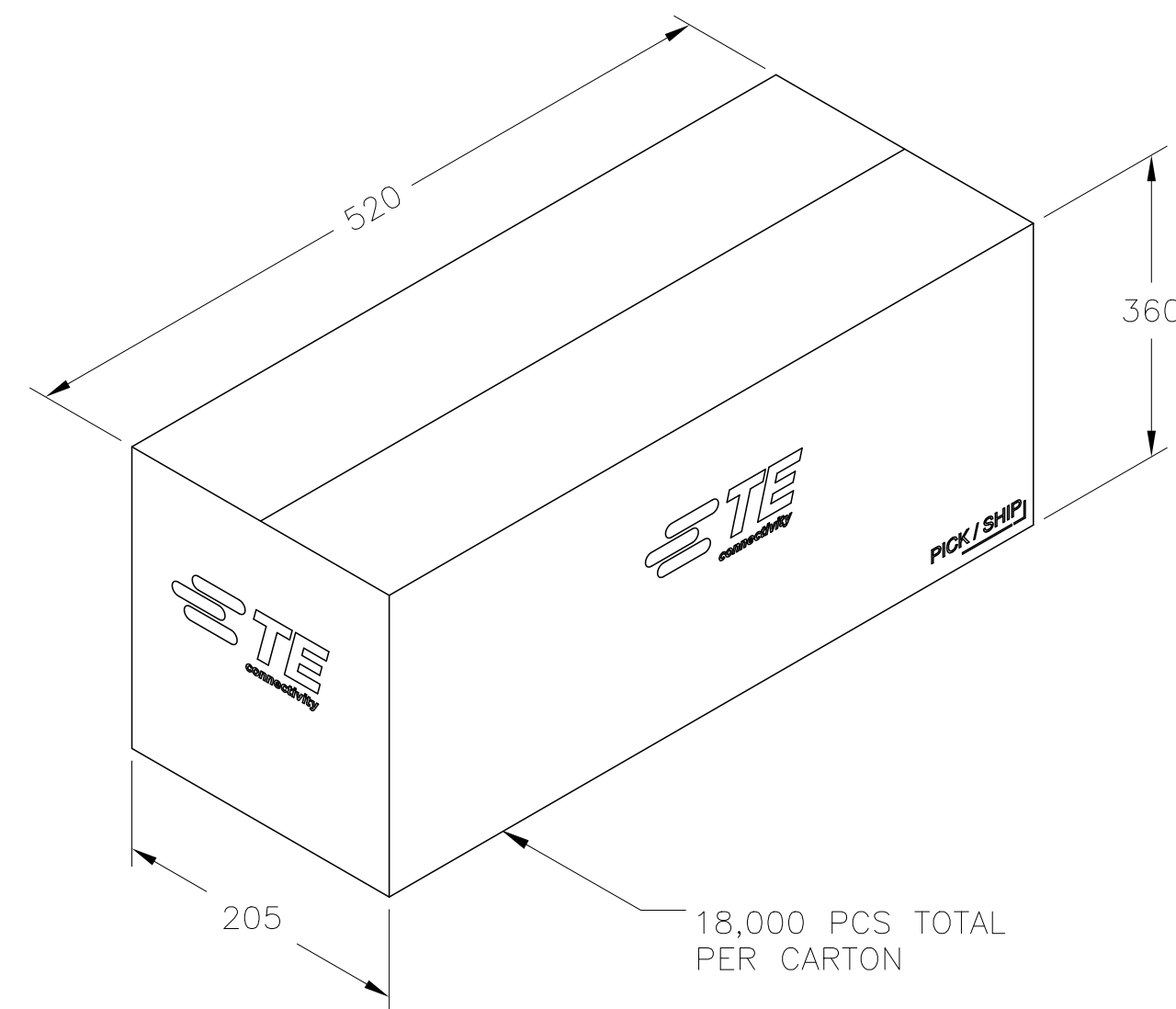
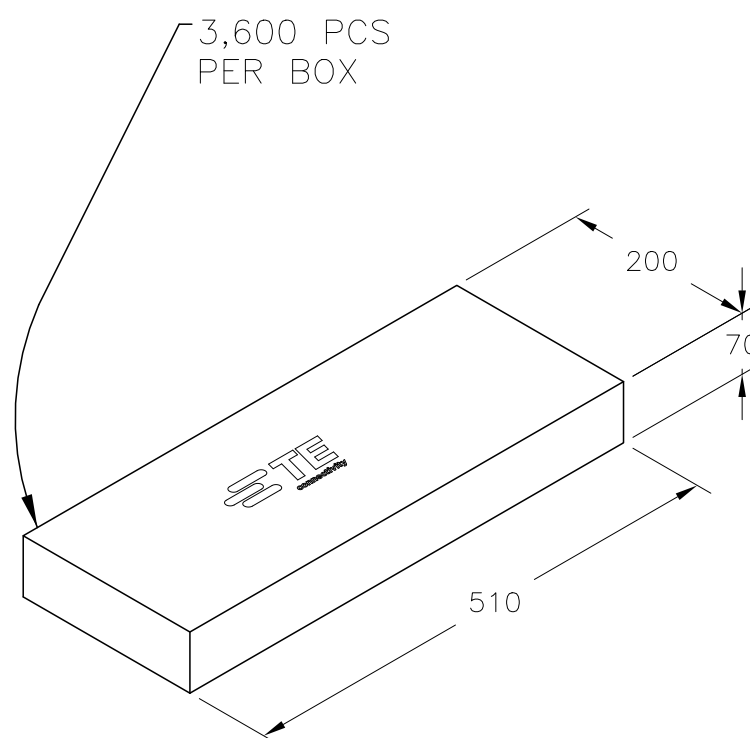
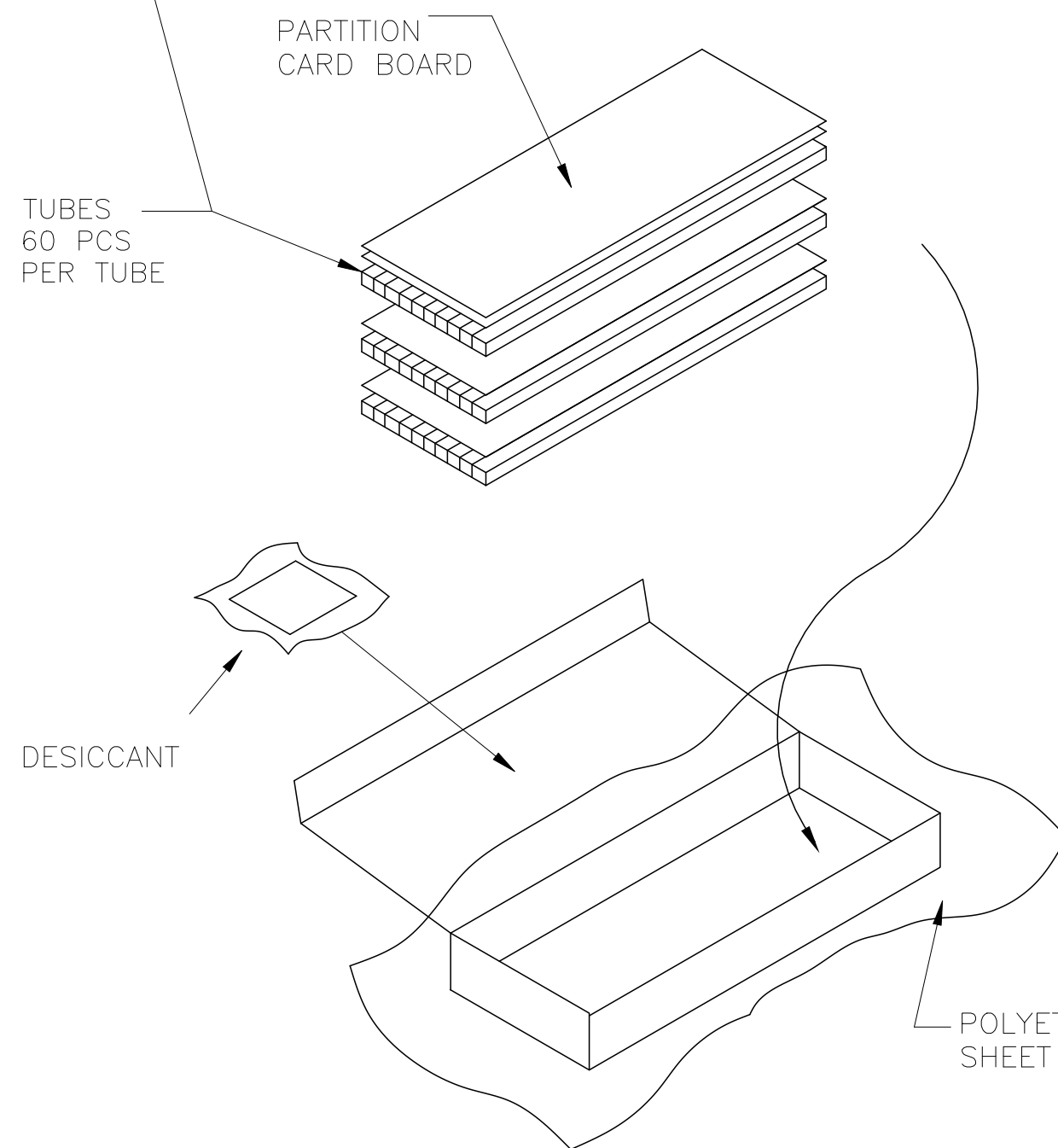
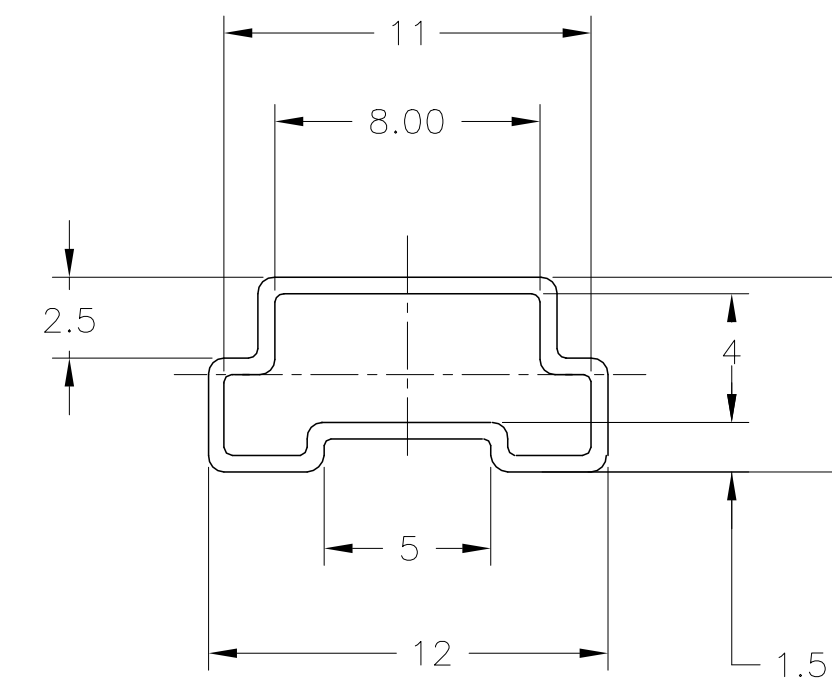
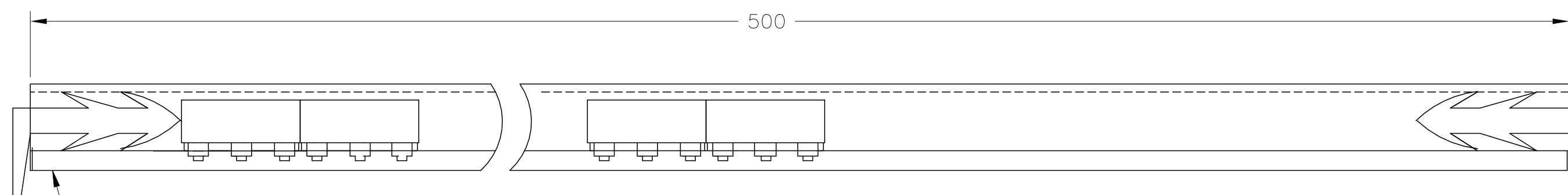
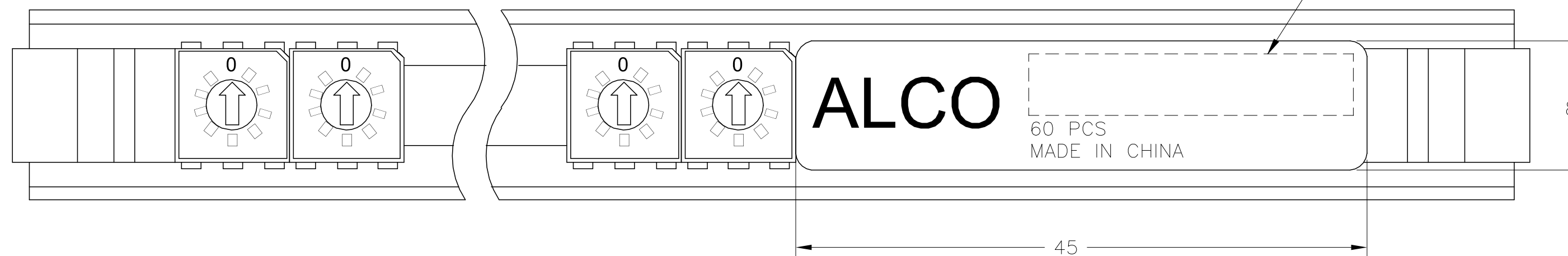
2396234

A

# PACKAGING SPECIFICATIONS TUBE FOR SMT, J-LEAD AND GULLWING TERMINALS

REVISIONS					
P	LTR	DESCRIPTION	DATE	DWN	APVD
-	-	SEE SHEET 1	-	-	-

TE PART NUMBER PER TABLE, SHEET 7



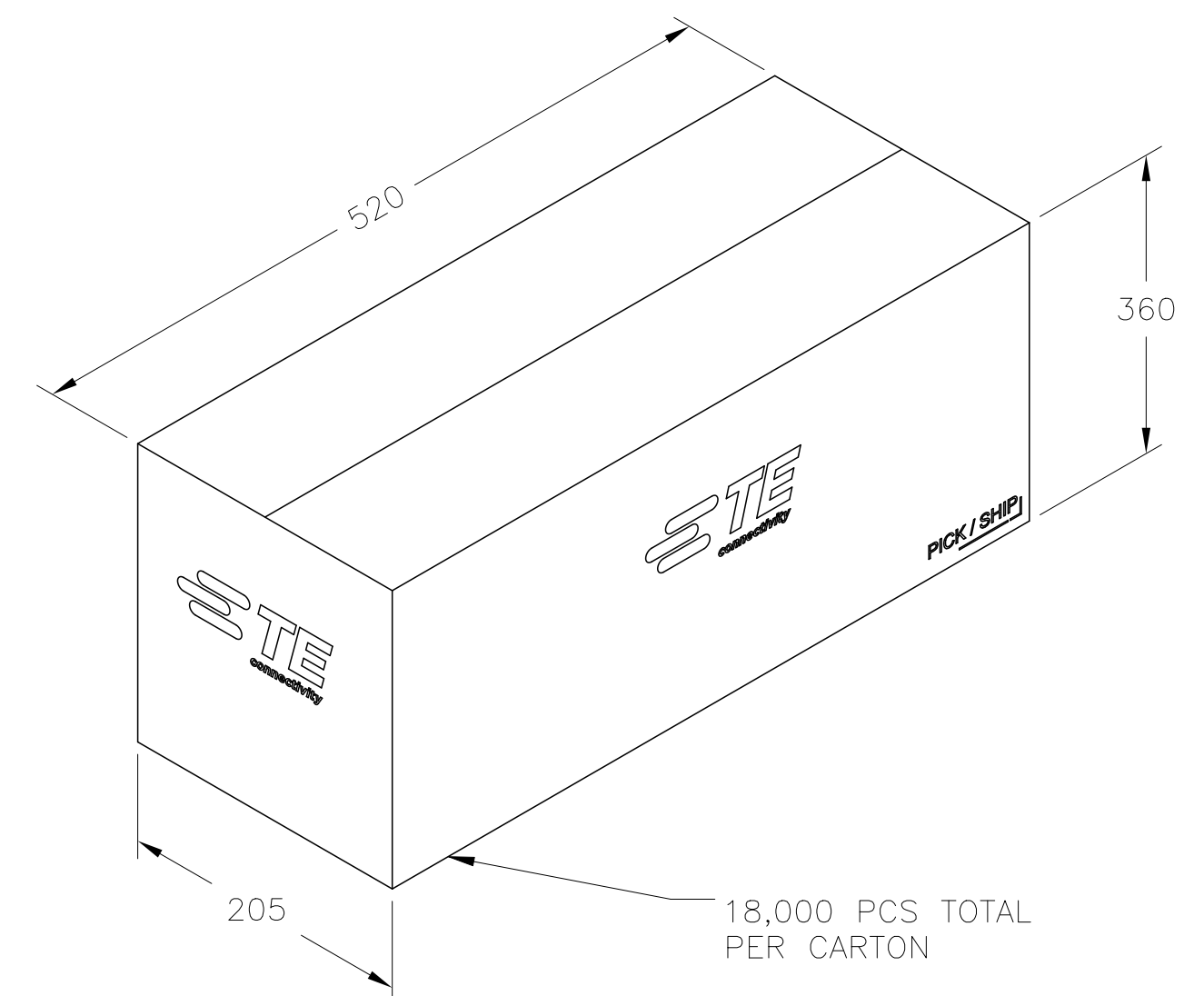
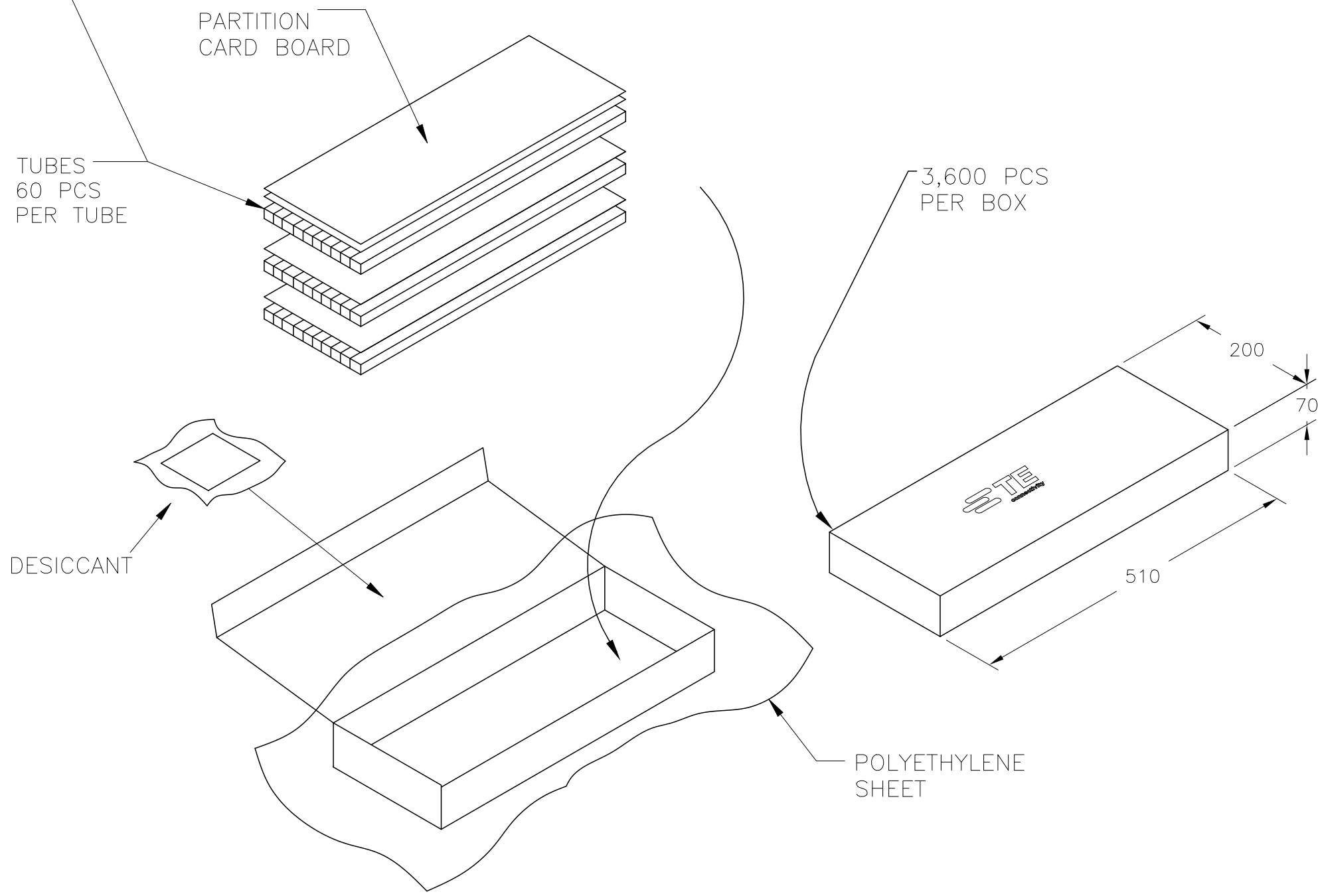
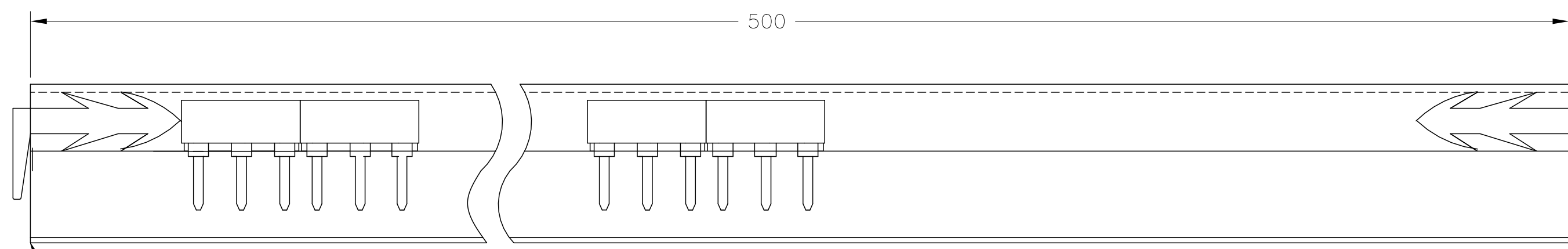
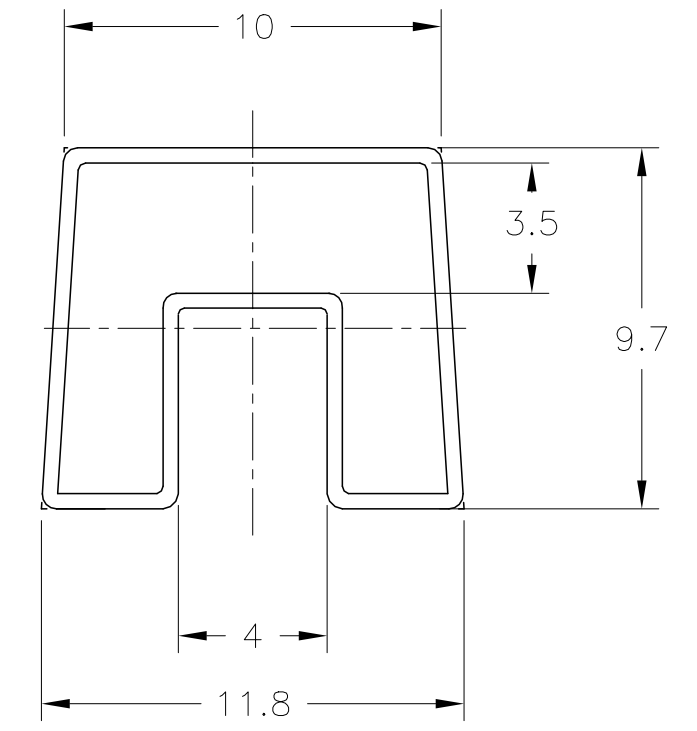
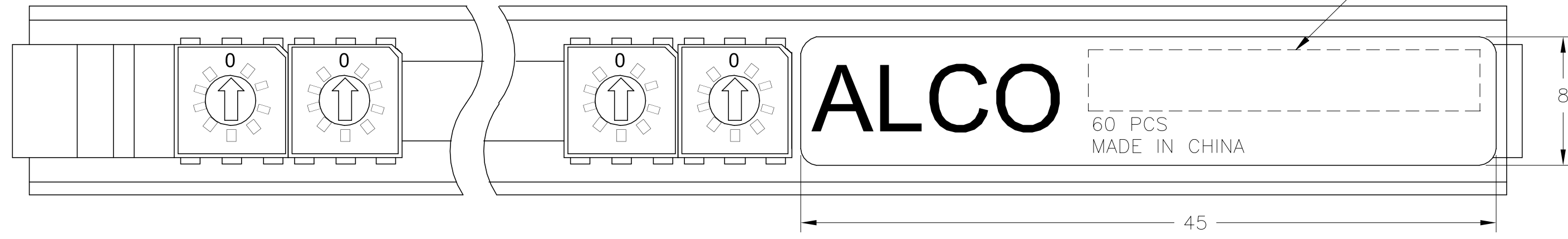
# PRELIMINARY

THIS DRAWING IS A CONTROLLED DOCUMENT.		DWN 19JUL2022 SATHISH KUMAR_G	<b>STE</b> TE Connectivity																				
DIMENSIONS: mm		CHK 19JUL2022 ALEXANDER, SHARPE																					
TOLERANCES UNLESS OTHERWISE SPECIFIED:		APVD 19JUL2022 ALEXANDER, SHARPE	NAME MRSS, MINIATURE ROTARY SWITCH SERIES, VERTICAL, 2.54 BLACK, PRINT MARKING																				
<table border="1"> <tr><td>0 PLC</td><td>±</td><td>=</td></tr> <tr><td>1 PLC</td><td>±</td><td>=</td></tr> <tr><td>2 PLC</td><td>±</td><td>=</td></tr> <tr><td>3 PLC</td><td>±</td><td>=</td></tr> <tr><td>4 PLC</td><td>±</td><td>=</td></tr> <tr><td>ANGLES</td><td>±</td><td>=</td></tr> </table>		0 PLC	±	=	1 PLC	±	=	2 PLC	±	=	3 PLC	±	=	4 PLC	±	=	ANGLES	±	=	PRODUCT SPEC	SIZE CAGE CODE DRAWING NO RESTRICTED TO		
0 PLC	±	=																					
1 PLC	±	=																					
2 PLC	±	=																					
3 PLC	±	=																					
4 PLC	±	=																					
ANGLES	±	=																					
MATERIAL		APPLICATION SPEC	A2 00779 C=2396234																				
FINISH		WEIGHT	CUSTOMER DRAWING SCALE 8:1 SHEET 10 OF 12 REV 1																				

# PACKAGING SPECIFICATIONS TUBE FOR THROUGH HOLE TERMINALS

REVISIONS					
P	LTR	DESCRIPTION	DATE	DWN	APVD
-	-	SEE SHEET 1	-	-	-

TE PART NUMBER PER TABLE, SHEET 7



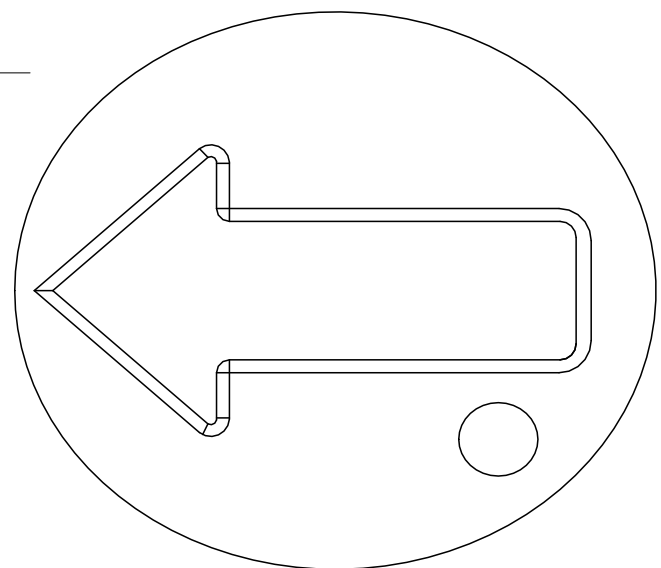
# PRELIMINARY

THIS DRAWING IS A CONTROLLED DOCUMENT.		DWN 19JUL2022 SATHISH KUMAR_G	<b>TE</b> TE Connectivity																						
DIMENSIONS: mm		CHK 19JUL2022 ALEXANDER, SHARPE																							
TOLERANCES UNLESS OTHERWISE SPECIFIED:		APVD 19JUL2022 ALEXANDER, SHARPE	NAME MRSS, MINIATURE ROTARY SWITCH SERIES, VERTICAL, 2.54 BLACK, PRINT MARKING																						
		PRODUCT SPEC	SIZE CAGE CODE DRAWING NO RESTRICTED TO																						
<table border="1"> <tr><td>0 PLC</td><td>±</td><td>-</td></tr> <tr><td>1 PLC</td><td>±</td><td>-</td></tr> <tr><td>2 PLC</td><td>±</td><td>-</td></tr> <tr><td>3 PLC</td><td>±</td><td>-</td></tr> <tr><td>4 PLC</td><td>±</td><td>-</td></tr> <tr><td>ANGLES</td><td>±</td><td>-</td></tr> <tr><td>FINISH</td><td>-</td><td>-</td></tr> </table>		0 PLC	±	-	1 PLC	±	-	2 PLC	±	-	3 PLC	±	-	4 PLC	±	-	ANGLES	±	-	FINISH	-	-	APPLICATION SPEC	A2 00779 C=2396234	
0 PLC	±	-																							
1 PLC	±	-																							
2 PLC	±	-																							
3 PLC	±	-																							
4 PLC	±	-																							
ANGLES	±	-																							
FINISH	-	-																							
MATERIAL		WEIGHT	CUSTOMER DRAWING SCALE 8:1 SHEET 11 OF 12 REV 1																						

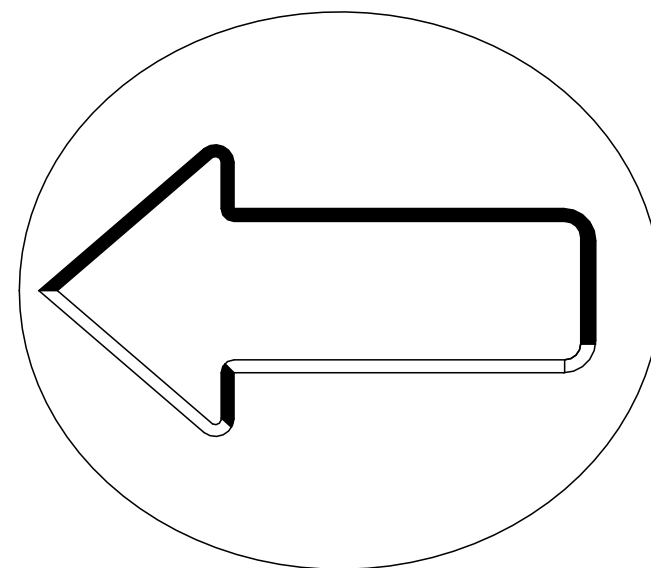
REVISIONS					
P	LTR	DESCRIPTION	DATE	DWN	APVD
-	-	SEE SHEET 1	-	-	-

CODE IDENTIFIER ON ACTUATOR

COMPLIMENT CODE—

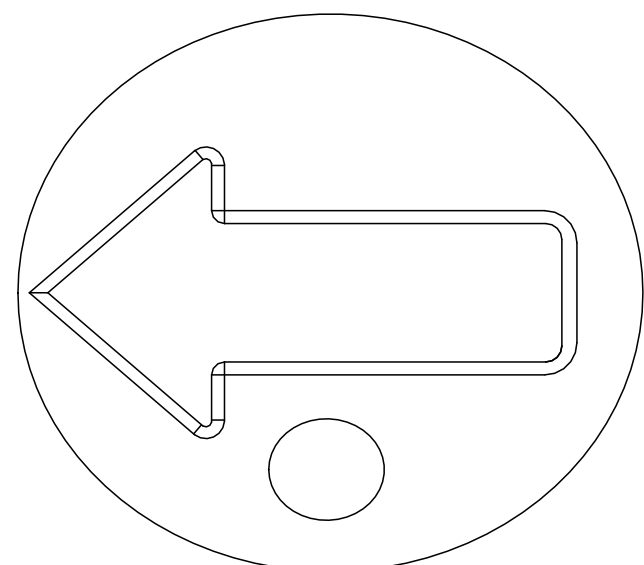


10 POSITION

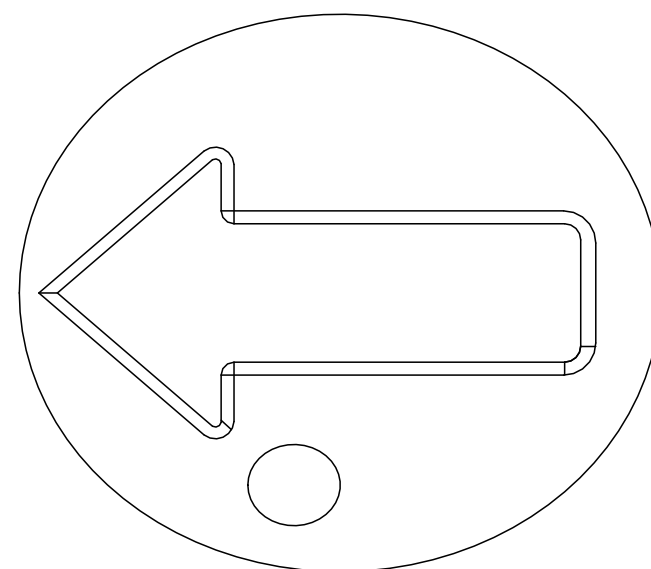


16 POSITION (NO IDENTIFIER)

GRAY CODE—

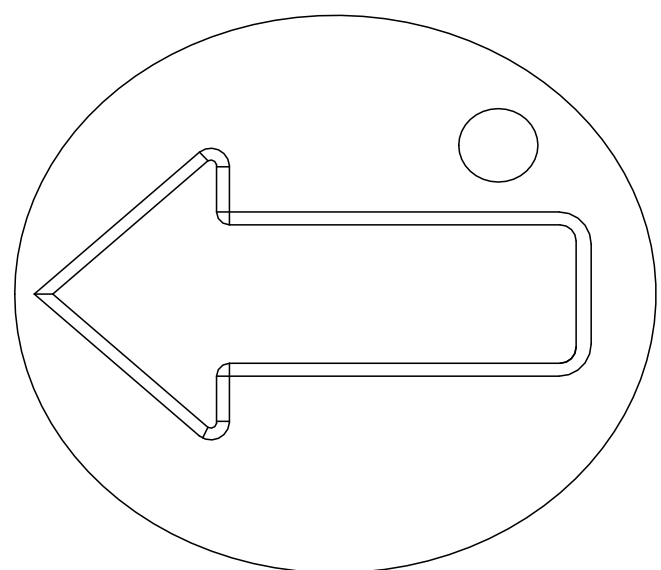


10 POSITION

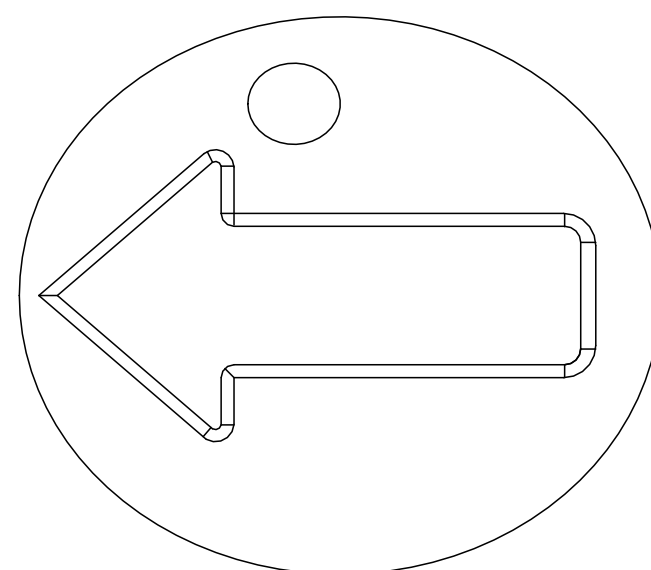


16 POSITION

REAL CODE—



10 POSITION



16 POSITION

**PRELIMINARY**

THIS DRAWING IS A CONTROLLED DOCUMENT.		DWN 19JUL2022 SATHISH KUMAR G	<b>TE</b> TE Connectivity																						
DIMENSIONS: mm		CHK 19JUL2022 ALEXANDER, SHARPE																							
TOLERANCES UNLESS OTHERWISE SPECIFIED:		APVD 19JUL2022 ALEXANDER, SHARPE	NAME MRSS, MINIATURE ROTARY SWITCH SERIES, VERTICAL, 2.54 BLACK, PRINT MARKING																						
<table border="1"> <tr><td>0 PLC</td><td>±</td><td>=</td></tr> <tr><td>1 PLC</td><td>±</td><td>=</td></tr> <tr><td>2 PLC</td><td>±</td><td>=</td></tr> <tr><td>3 PLC</td><td>±</td><td>=</td></tr> <tr><td>4 PLC</td><td>±</td><td>=</td></tr> <tr><td>ANGLES</td><td>±</td><td>=</td></tr> <tr><td>FINISH</td><td>±</td><td>=</td></tr> </table>		0 PLC	±	=	1 PLC	±	=	2 PLC	±	=	3 PLC	±	=	4 PLC	±	=	ANGLES	±	=	FINISH	±	=	PRODUCT SPEC —	RESTRICTED TO —	
0 PLC	±	=																							
1 PLC	±	=																							
2 PLC	±	=																							
3 PLC	±	=																							
4 PLC	±	=																							
ANGLES	±	=																							
FINISH	±	=																							
MATERIAL —		APPLICATION SPEC —	SIZE A2	CAGE CODE 00779	DRAWING NO C=2396234																				
		WEIGHT —	SCALE 8:1		SHEET 12 OF 12																				
		CUSTOMER DRAWING	REV 1																						