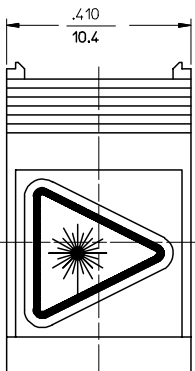
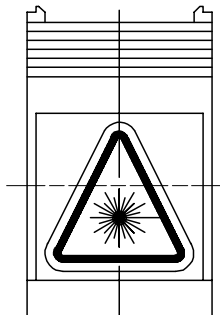


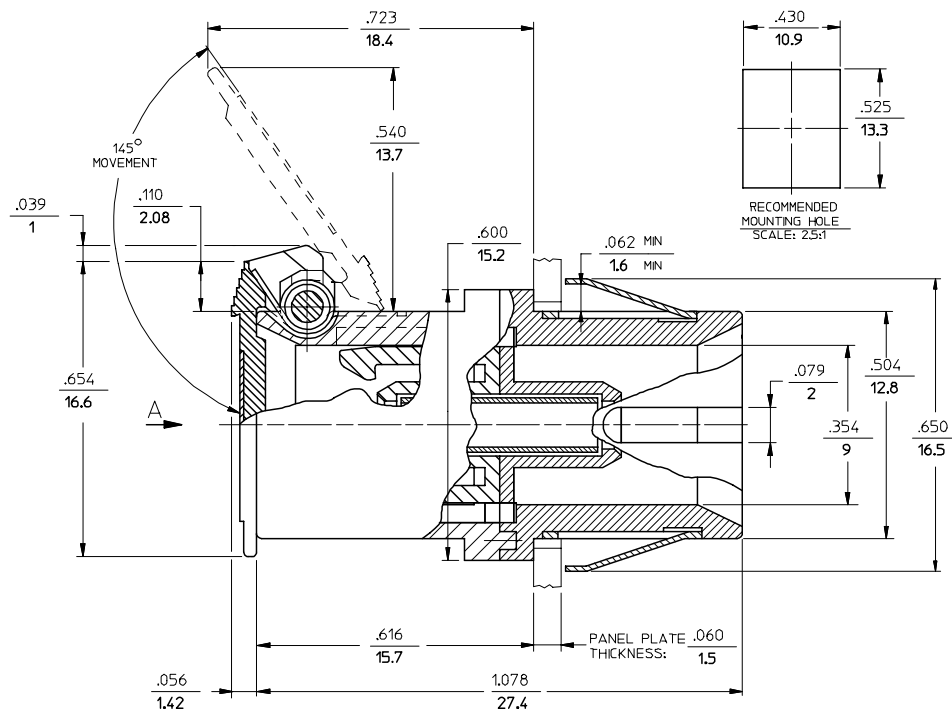
ADAPTER P/N	SPLIT SLEEVE MATERIAL	COLOR OF ADAPTER	DUST CAP COLOR
106170-2400	ZR	BLACK	GRAY
106170-2420		GREEN	
106170-2430		RED	
106171-2400	PHOSPHOR BRONZE	BLACK	YELLOW
106171-2420		GREEN	
106171-2430		RED	
106194-1440		BLACK	



VIEW A
VERSION 1



VIEW A
VERSION 2



NOTES:

- ALL DIMENSIONS ARE GIVEN IN $\frac{\text{INCHES}}{\text{mm}}$
- LABEL MUST BE INSTALLED AND ORIENTED BY CUSTOMER. (SEE VIEW A)
- DUST CAP NOT SHOWN.

ENTER DESCRIPTION EC NO: MF2007-0207 DRWNR:REV:ZNER 2006/09/22 CHKD: 2006/09/22 APPR: JGUMIN 2006/09/22 REV: A1	QUALITY SYMBOLS =0 =0.05	GENERAL TOLERANCES (UNLESS SPECIFIED)		DIMENSION STYLE	SCALE	DESIGN UNITS	THIRD ANGLE PROJECTION	
		4 PLACES	± ---	± ---	IN/MM	4:1	INCH	
		3 PLACES	± ---	± ---	DRAWN BY	DATE	TITLE	
		2 PLACES	± ---	± ---	CHECKED BY	DATE	BSC- 2 ADAPTER WITH SHUTTER	
1 PLACE	± ---	± ---	APPROVED BY	DATE	MATERIAL NO.	DOCUMENT NO.	SHEET NO.	
ANGULAR ±1/2°		DRAFT WHERE APPLICABLE MUST REMAIN WITHIN DIMENSIONS		SEE TABLE	MOLEX INCORPORATED		SD-10617Y-24Y0	1 OF 1
THIS DRAWING CONTAINS INFORMATION THAT IS PROPRIETARY TO MOLEX INCORPORATED AND SHOULD NOT BE USED WITHOUT WRITTEN PERMISSION								