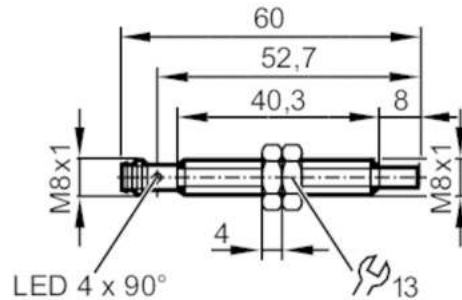


# IE5391



## Inductive sensor

IEK3004-BPKG/V4A/K1/AS



### Product characteristics

Electrical design		PNP
Output function		normally open
Sensing range	[mm]	4
Housing		threaded type
Dimensions	[mm]	M8 x 1 / L = 60

### Application

Special feature	Gold-plated contacts; Correction factor K = 1; Magnetic-field immune	
Magnetic-field immune		yes
Max. magnetic field immunity	[mT]	300

### Electrical data

Operating voltage	[V]	10...30 DC
Current consumption	[mA]	< 20
Protection class		III
Reverse polarity protection		yes

### Outputs

Electrical design		PNP
Output function		normally open
Max. voltage drop switching output DC	[V]	2.5
Permanent current rating of switching output DC	[mA]	100
Switching frequency DC	[Hz]	1000
Short-circuit protection		yes
Overload protection		yes

### Detection zone


Sensing range	[mm]	4
Real sensing range Sr	[mm]	4 ± 10 %
Operating distance	[mm]	0...3.25

# IE5391



## Inductive sensor

IEK3004-BPKG/V4A/K1/AS

Accuracy / deviations		
Correction factor	steel: 1 / stainless steel: 1 / brass: 1 / aluminium: 1 / copper: 1	
Hysteresis [% of Sr]	1...20	
Switch point drift [% of Sr]	-10...10	
Correction factor K = 1	yes	
Operating conditions		
Ambient temperature [°C]	-25...70	
Protection	IP 65; IP 67; (with ifm socket duly screwed on)	
Tests / approvals		
EMC	EN 61000-4-2 ESD	4 kV CD / 8 kV AD
	EN 61000-4-3 HF radiated	10 V/m
	EN 61000-4-4 Burst	2 kV
	EN 61000-4-6 HF conducted	10 V
	EN 55011	class B
MTTF [years]	544	
Embedded software included	yes	
Mechanical data		
Weight [g]	20	
Housing	threaded type	
Mounting	non-flush mountable	
Dimensions [mm]	M8 x 1 / L = 60	
Thread designation	M8 x 1	
Materials	housing: stainless steel (1.4404 / 316L); sensing face: LCP; lock nuts: brass	
Displays / operating elements		
Display	switching status	4 x 90° LED, yellow
Accessories		
Items supplied	lock nuts: 2	
Remarks		
Pack quantity	1 pcs.	
Electrical connection - plug		
Connector: 1 x M8; coding: A; Locking: snap-fit ; Contacts: gold-plated		
		

# IE5391



## Inductive sensor

IEK3004-BPKG/V4A/K1/AS

### Connection

