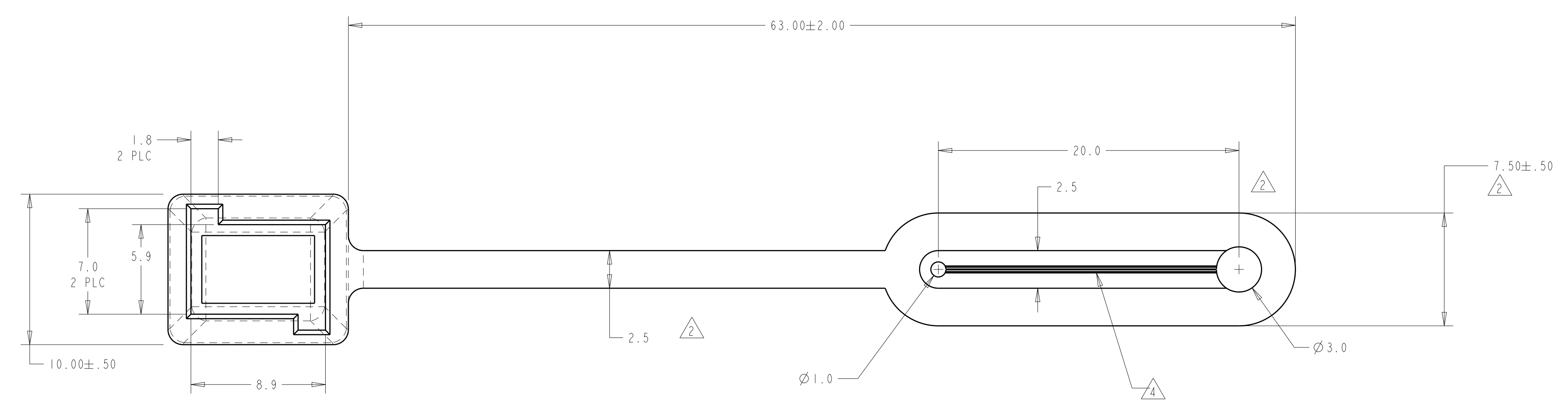
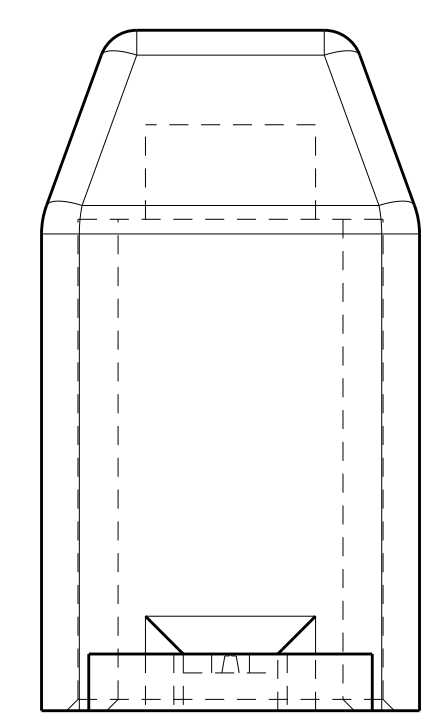


LOC	DIST	REVISIONS					
		P.	LTN	DESCRIPTION	DATE	DWN	APVD
CE	16	B		REV PER ECN DA00-0050-99	17JUL99	SH	LB
		BI		REVISED PER ECO-09-025699	22DEC09	KK	AEG
		C		REV PER ECO-012-013722	07AUG2012	EH	DB



- 1 MATERIAL: THERMOPLASTIC ELASTOMER
- 2 492577-1, -5, -9, -13 HAS NO STRAP. DIMENSIONS APPLY TO -2, -6, -10, -14 ONLY.
- 3 BULK PACKAGE 25 PCS.
- 4 SLOT TO OPEN UP TO FIT OVER MPX CONNECTOR
- 5. RETENTION FORCE WHEN MATED= 1/2 LB MIN
- 6 OBSOLETE PARTS: OBSOLETE CIS STREAMLINING PER D.RENAUD/D.SINISI

OBsolete	COLOR	STRAP	PART NUMBER
	RED	YES	1-492577-4
	RED	NO 2	1-492577-3
	BLUE	YES	1-492577-0
	BLUE	NO 2	492577-9
	GREEN	YES	492577-6
	GREEN	NO 2	492577-5
3	BLACK OR NATURAL	YES	492577-2
3	BLACK OR NATURAL	NO 2	492577-1

DIMENSIONS: mm [ INCHES ]		TOLERANCES UNLESS OTHERWISE SPECIFIED: 0 PLC ±.5 1 PLC ±.13 2 PLC ±.13 3 PLC ±.0001 4 PLC ±.0001 ANGLES ±.0001		DWN S. HILKER 17JUL99 CHK L. BARKUS 17JUL99 APVD K. MONROE 17JUL99		Tyco Electronics Harrisburg, PA 17105-3608	
MATERIAL: - FINISH: -		PRODUCT SPEC: - APPLICATION SPEC: -		NAME: DUST COVER, MPX PLUG		SIZE: A1 CAGE CODE: 00779 DRAWING NO: 492577	
CUSTOMER DRAWING		WEIGHT: -		SCALE: 5:1		SHEET: 1 OF 1 REV: C	