






140×140×38 mm

San Ace 140L 9L type   

General Specifications

- Material Frame: Aluminum, Impeller: Plastic (Flammability: UL 94V-1)
- Expected life See the table below. (L10 life: 90% survival rate for continuous operation in free air at 60°C, rated voltage)
- Motor protection function Locked rotor burnout protection, Reverse polarity protection
For details, please refer to p. 529.
- Dielectric strength 50/60 Hz, 500 VAC, for 1 minute (between lead wire conductors and frame)
- Insulation resistance 10 MΩ or more with a 500 VDC megger (between lead wire conductors and frame)
- Sound pressure level (SPL) At 1 m away from the air inlet
- Storage temperature -30 to +70°C (Non-condensing)
- Lead wire ⊕Red ⊖Black or Blue (Sensor) Yellow
- Mass 600 g

Specifications

The models listed below **have pulse sensors**.

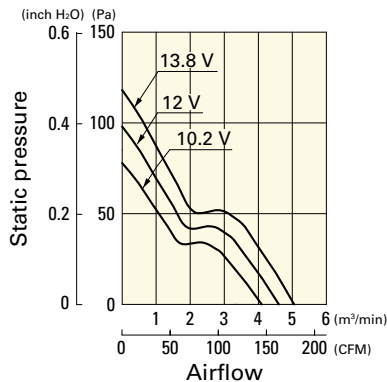
Model no.	Rated voltage [V]	Operating voltage range [V]	Rated current [A]	Rated input [W]	Rated speed [min ⁻¹]	Max. airflow [m ³ /min] [CFM]	Max. static pressure [Pa] [inchH ₂ O]	SPL [dB (A)]	Operating temperature [°C]	Expected life [h]
109L1412H101	12	10.2 to 13.8	0.73	8.76	2600	4.6 159	98 0.394	46	-20 to +70	100000/60°C
109L1412M101			0.3	3.6	1900	3.3 117	52 0.209	38		
109L1424H101	24	20.4 to 27.6	0.37	8.88	2600	4.6 159	98 0.394	46		
109L1424M101			0.16	3.84	1900	3.3 117	52 0.209	38		
109L1448H101	48	40.8 to 55.2	0.2	9.6	2600	4.6 159	98 0.394	46		
109L1448M101			0.09	4.32	1900	3.3 117	52 0.209	38		

Other sensor specifications are available as options. Refer to the index (p. 543).

Airflow - Static Pressure Characteristics

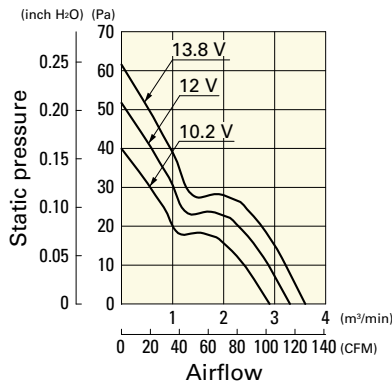
109L1412H101 With pulse sensor

Operating voltage range



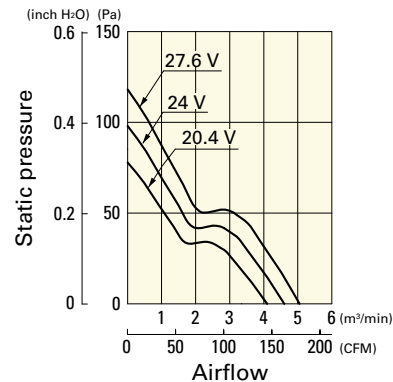
109L1412M101 With pulse sensor

Operating voltage range



109L1424H101 With pulse sensor

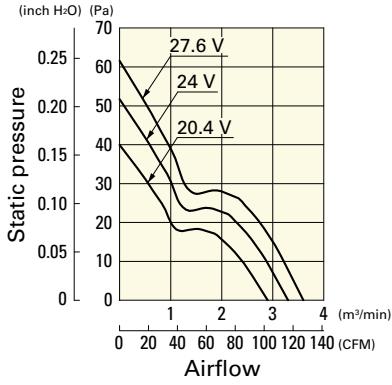
Operating voltage range



Airflow - Static Pressure Characteristics

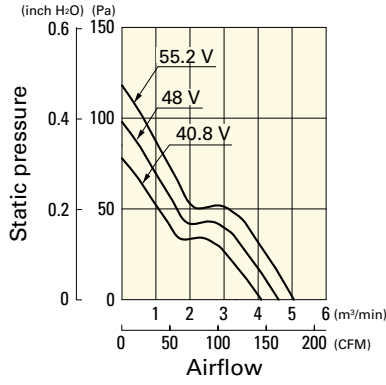
109L1424M101 With pulse sensor

Operating voltage range



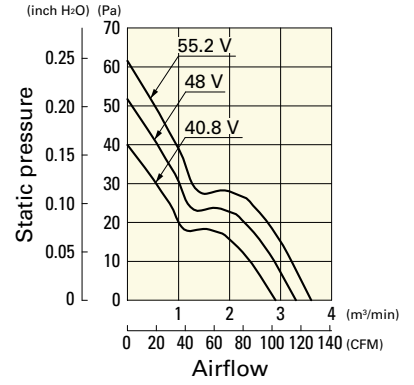
109L1448H101 With pulse sensor

Operating voltage range

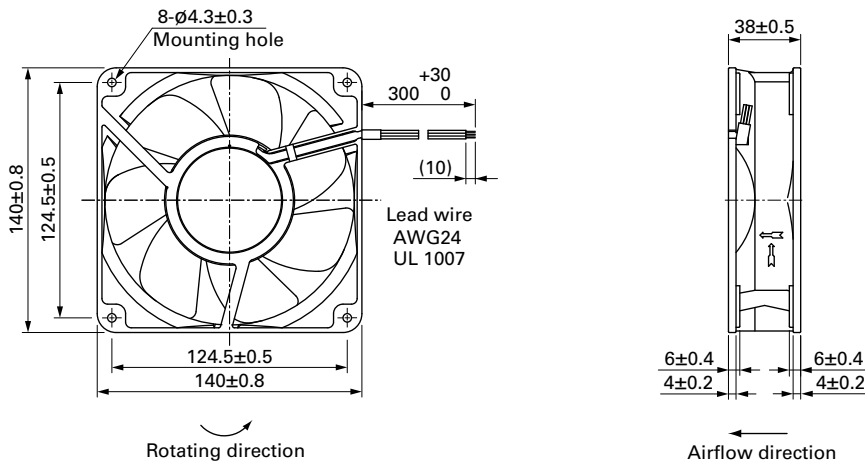


109L1448M101 With pulse sensor

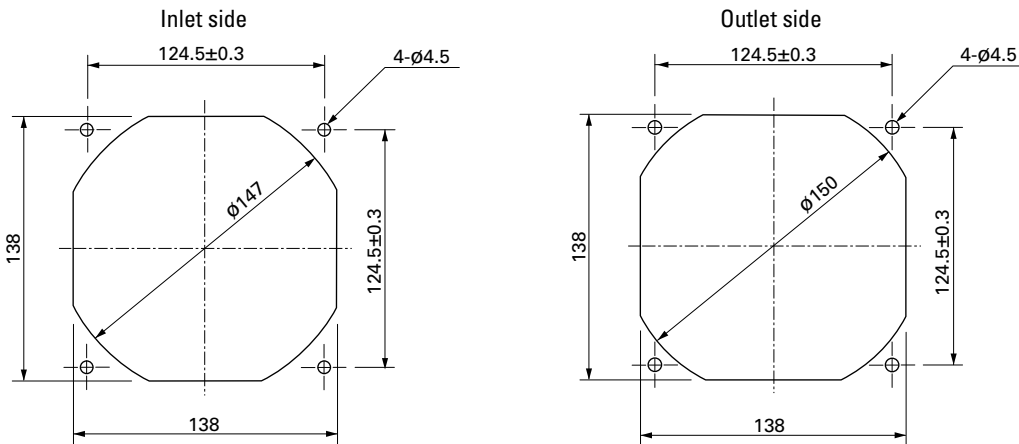
Operating voltage range



Dimensions (unit: mm)



Reference Dimensions of Mounting Holes and Vent Opening (unit: mm)



Options

Finger guards

page: p. 514

Model no.: 109-719, 109-719H

DC

Long Life Fan 140 mm sq.