





# SMT POWER INDUCTORS

## Unshielded Drum Core - P0762 Series



-  **Height:** 3.0mm Max
-  **Footprint:** 13.0mm x 9.4mm Max
-  **Current Rating:** up to 2.0A
-  **Inductance Range:** 10μH to 1000μH

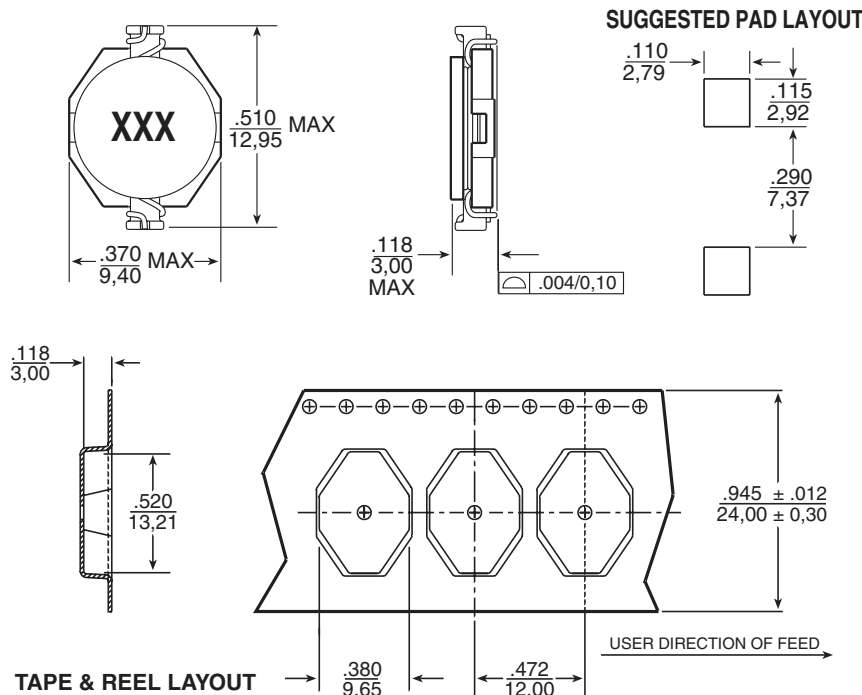
### Electrical Specifications @ 25°C — Operating Temperature -40°C to +130°C

Part <sup>6,7</sup> Number	Inductance @ I <sub>PK DC</sub> (μH ± 20%)	I <sub>rated</sub> <sup>5</sup> (A)	DCR (MAX) (mΩ)	Saturation Current (A) @ 25°C	Heating Current (A)
P0762.103	10	2.0	110	2.4	2.0
P0762.153	15	1.5	150	2.0	1.5
P0762.223	22	1.3	230	1.6	1.3
P0762.333	33	1.1	300	1.4	1.1
P0762.473	47	0.8	390	1.0	0.8
P0762.683	68	0.7	660	0.9	0.7
P0762.104	100	0.6	840	0.7	0.6
P0762.154	150	0.5	1200	0.6	0.5
P0762.224	220	0.4	1900	0.5	0.4
P0762.334	330	0.3	2700	0.4	0.3
P0762.474	470	0.2	4000	0.3	0.2
P0762.684	680	0.1	5300	0.2	0.1
P0762.105	1000	0.05	8400	0.1	.05

- NOTES:**
- The temperature of the component (ambient plus temperature rise) must be within the specified operating temperature range.
  - Inductance tested at 100kHz, 10mV<sub>RMS</sub>
  - Inductance drop = 10% typical at the Saturation Current.
  - ΔT = 15°C rise typical at the heating current.
  - The rated current is the lower of the saturation or heating current.
  - Optional Tape & Reel packaging can be ordered by adding a "T" suffix to the part number (i.e. P0762.103 becomes P0762.103T). Pulse complies to industry standard tape and reel specification EIA481.
  - To order RoHS compliant part, add the suffix "NL" to the part number (i.e. P0762.103 becomes P0762.103NL and P0762.103T becomes P0762.103NLT).

### Mechanical

### Schematic



Weight . . . . . 0.8 grams  
Tape & Reel . . . . . 1000/reel

Dimensions: Inches  
mm  
Unless otherwise specified,  
all tolerances are ± .010  
0,25