

MATERIAL:
Thermoplastic

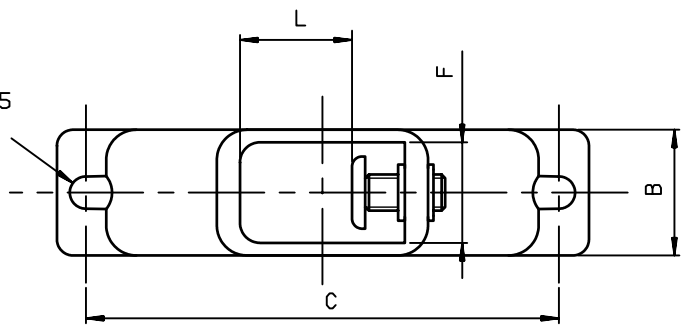
TEMPERATURE RANGE:
- Climatic category -55° / +125°

PACKAGING:
Per 100 pieces

COLOUR
Black

WITH SCREW AND PLATE STRAIN RELIEF

Shell size	Number of contacts	A ^{+0.9 -0.2}	B ^{+0.10 0}	C ^{±0.05}	D ^{±0.10}	E ^{±0.10}	F ^{±0.10}	L _{maxi}	L _{mini}	PART NUMBER
E	09	30.60	12.50	24.99	29.00	9.99	9.99	6.60	1.90	86303920ALF
A	15	38.90	12.50	33.32	29.00	11.99	9.99	8.60	3.90	86303921ALF
B	25	52.80	12.50	47.04	35.00	16.40	9.99	13.10	8.40	86303922ALF
C	37	69.10	12.50	63.50	41.00	23.49	9.99	20.30	8.50	86303923ALF
D	50	66.70	15.30	61.11	41.00	23.49	12.79	20.10	8.30	86303924ALF



NOTE1:RoHS INFORMATIONS

- The "LF" product meets European union Directives and other country regulations as described in GS-22-008.
- The product is not intended to be exposed to a manufacturing solder process.
- Plating: Zinc Cr3+, white color.
- Packaging spec: see GS-14-920.

European Views

www.fciconnect.com			surface ISO 1302 ✓	tolerance std ISO 406 ISO 1101	projection ⊕	mm
TOLERANCES UNLESS OTHERWISE SPECIFIED						
Dr	GOISNARD	2006/01/12	ANGULAR	0.X	±0.1	size A3
Eng	PESSON	2006/01/12	LINEAR	0.XX	±0.1	
Chr	LEGARE	2006/01/12	0.XX' ±2'	0.XXX	±0.1	Scale 2
Appr	LEGARE	2006/01/12	Product family		D-SUB	ECN LS09-0006
					Spec ref -	
title POTTING PLASTIC HOODS straight exit			dwg no C01-8655-1649		Rev. C	
catalog no			CUSTOMER		sheet 1 of 1	

rev	ecn no	dr	date
A	LS05-0123	LGO	2006/01/12
B	LS06-0095	LGO	2006/06/24
C	LS09-0006	MPE	2009/01/08
-	-	-	-
-	-	-	-
-	-	-	-

Copyright FCj