

**Description: Ultra-thin white radome antenna for i-DAS**

**Series: CLARITY**

**PART NUMBER: DASUTCxxx**

### Features:



- Ultra-Thin
- White radome
- Industry leading -155 dBc at 2 x 20W (2 x 43dBm) PIM rating
- Covers cellular bands and WiFi from 608 through 2700 MHz
- Available with N, Mini-DIN and 4.3-10 female connector
- RoHS Compliant
- Patent Pending design

### Applications:

- Ultra-Thin structure of products allow installation in places where Aesthetics is important
- White structure of antenna make this product easily camouflage onto ceiling
- In-building DAS systems requiring best PIM

All dimensions are in mm / inches

Issue:1651

In the effort to improve our products, we reserve the right to make changes judged to be necessary.

CONFIDENTIAL AND PROPRIETARY INFORMATION

This document contains confidential and proprietary information of Pulse Electronics, Inc. (Pulse) and is protected by copyright, trade secret and other state and federal laws. Its receipt or possession does not convey any rights to reproduce, disclose its contents, or to manufacture, use or sell anything it may describe. Reproduction, disclosure or use without specific written authorization of Pulse is strictly forbidden.

For more information:

Pulse Worldwide Headquarters  
12220 World Trade Drive  
San Diego, CA 92128  
USA  
Tel:1-858-674-8100

Pulse/Larsen Antennas  
18110 SE 34<sup>th</sup> St Bldg 2 Suite 250  
Vancouver, WA 98683  
USA  
Tel: 1-360-944-7551

Europe Headquarters  
Pulse GmbH & Do, KG  
Zeppelinstrasse 15  
Herrenberg, Germany  
Tel: 49 7032 7806 0

Pulse (Suzhou) Wireless Products Co, Inc.  
99 Huo Ju Road(#29 Bldg,4<sup>th</sup> Phase  
Suzhou New District  
Jiangsu Province, Suzhou 215009 PR China  
Tel: 86 512 6807 9998



**Description: UltraThin, clear radome antenna for iDAS**

**Series: CLARITY**

**PART NUMBER: DASUTWCxxx**

**This document covers all product variants of the following product family:**

Antenna and accessory products covered in this documents are following:

Pulse Part Number	Connector Type	Reflector
DASUTWC500NF	N Female	Not Included
DASUTWC500MD	4.1-9.5 Mini-DIN Female	Not Included
DASUTWC5004310	4.3-10 DIN Female	Not Included
DASUTWCR500NF	N Female	Included
DASUTWCR500MD	4.1-9.5 Mini-DIN Female	Included
DASUTWCR5004310	4.3-10 DIN Female	Included

Accessory Part Number	Description
DASUTCCACC1	Reflector only (not antenna)



Reflector: DASUTCCACC1

Description: UltraThin, clear radome antenna for iDAS

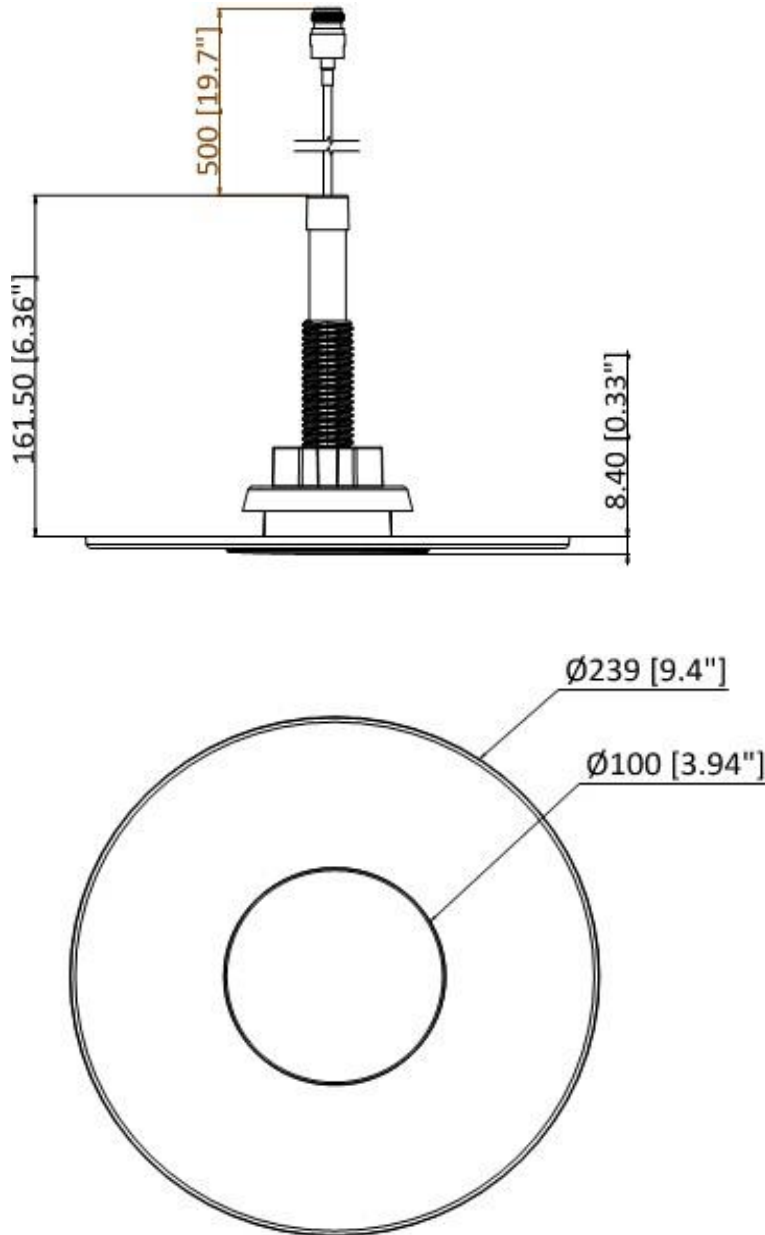
Series: CLARITY

PART NUMBER: DASUTWCxxx

MECHANICAL DRAWING

DASUTWC500NF, DASUTWC500MD and DASUTWC5004310

i.e. antennas **without** reflector DASUTCCACC1



Issue:1651

In the effort to improve our products, we reserve the right to make changes judged to be necessary.

CONFIDENTIAL AND PROPRIETARY INFORMATION

This document contains confidential and proprietary information of Pulse Electronics, Inc. (Pulse) and is protected by copyright, trade secret and other state and federal laws. Its receipt or possession does not convey any rights to reproduce, disclose its contents, or to manufacture, use or sell anything it may describe. Reproduction, disclosure or use without specific written authorization of Pulse is strictly forbidden.

**Description: UltraThin, clear radome antenna for iDAS**

**Series: CLARITY**

**PART NUMBER: DASUTWCxxx**

**ELECTRICAL SPECIFICATIONS**

**DASUTWC500NF, DASUTWC500MD and DASUTWC5004310**

**i.e. antennas without reflector DASUTCCACC1**

Frequency	608-960 / 1695-2200 / 2300-2700MHz
Nominal Impedance	50Ω
VSWR (698-960MHz)	2:1
VSWR (1695-2700MHz)	2:1
Average Peak Gain (608-960MHz)	4dBi
Average Peak Gain (1695-2200MHz)	6dBi
Average Peak Gain (2300-2700MHz)	6dBi
Efficiency (608-960MHz)	70%
Efficiency (1695-2200MHz)	65%
Efficiency (2300-2700MHz)	60%
Horizontal plane (th=45deg)	Omni
HPBW Vertical plane (608-960MHz)	100° Typ
HPBW Vertical plane (1695-2200MHz)	130° Typ
HPBW Vertical plane (2300-2700MHz)	130° Typ
Maximum power input	40W
PIM at 2x20W	<-155dBc
Connector type	N-female, 4.1-9.5 Mini-DIN female or 4.3-10 DIN female
Cable type	Dia. 0.16" low loss, Low PIM, Plenum Rated
Cable length [Inches/mm]	19.7" / 500mm

Issue:1651

In the effort to improve our products, we reserve the right to make changes judged to be necessary.

CONFIDENTIAL AND PROPRIETARY INFORMATION

This document contains confidential and proprietary information of Pulse Electronics, Inc. (Pulse) and is protected by copyright, trade secret and other state and federal laws. Its receipt or possession does not convey any rights to reproduce, disclose its contents, or to manufacture, use or sell anything it may describe. Reproduction, disclosure or use without specific written authorization of Pulse is strictly forbidden.

Description: UltraThin, clear radome antenna for iDAS

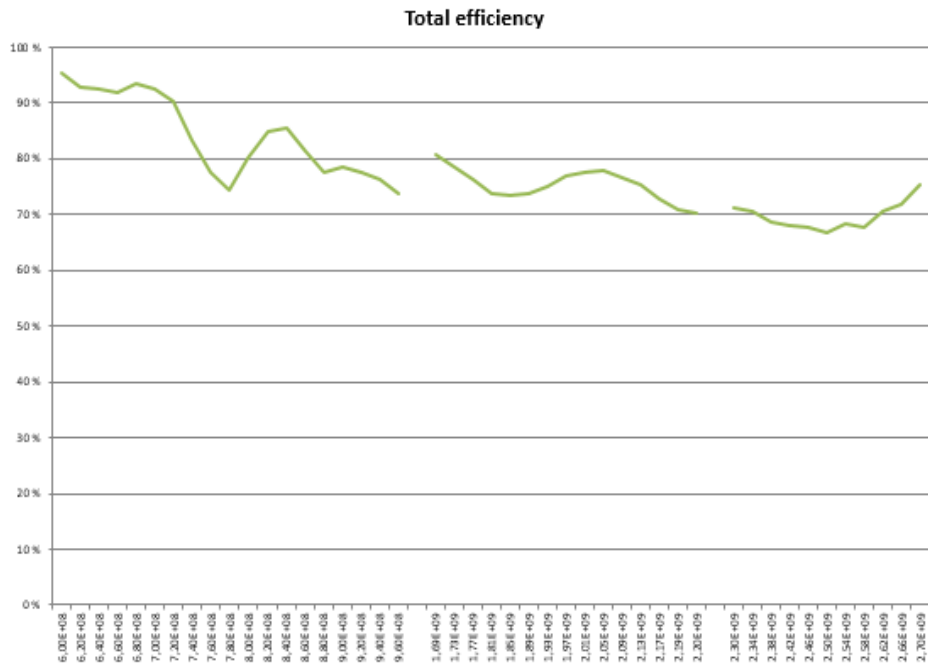
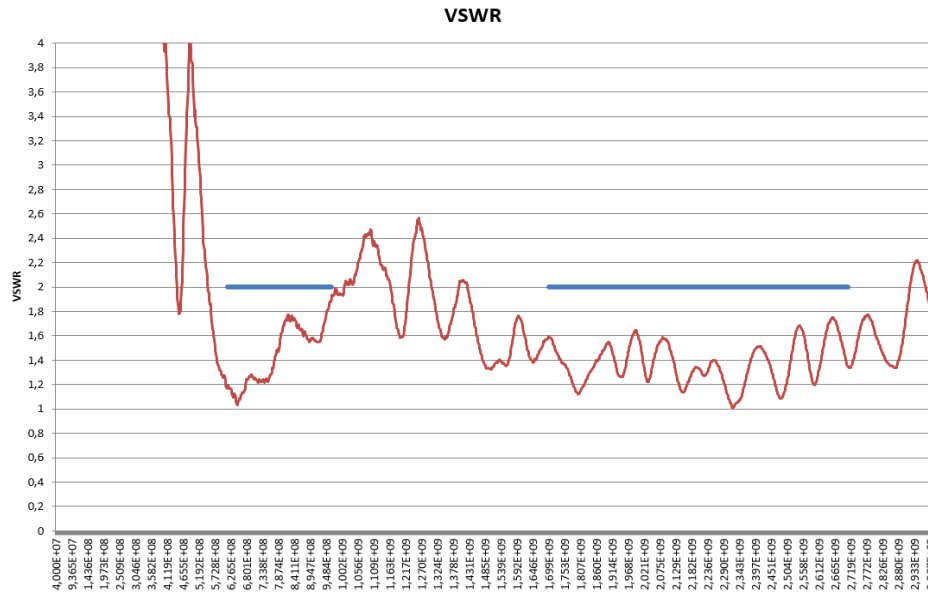
Series: CLARITY

PART NUMBER: DASUTWCxxx

CHARTS

**DASUTWC500NF, DASUTWC500MD and DASUTWC5004310**

i.e. antennas **without** reflector DASUTCCACC1



Issue:1651

In the effort to improve our products, we reserve the right to make changes judged to be necessary.

CONFIDENTIAL AND PROPRIETARY INFORMATION

This document contains confidential and proprietary information of Pulse Electronics, Inc. (Pulse) and is protected by copyright, trade secret and other state and federal laws. Its receipt or possession does not convey any rights to reproduce, disclose its contents, or to manufacture, use or sell anything it may describe. Reproduction, disclosure or use without specific written authorization of Pulse is strictly forbidden.

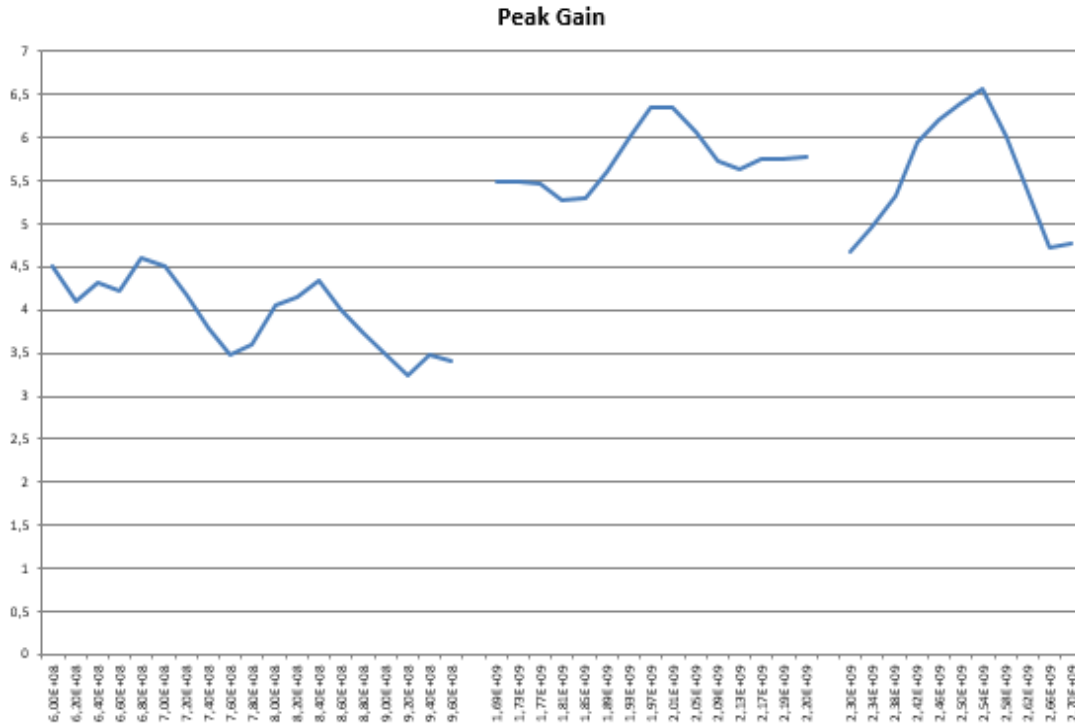
Description: UltraThin, clear radome antenna for iDAS

Series: CLARITY

PART NUMBER: DASUTWCxxx

CHARTS

**DASUTWC500NF, DASUTWC500MD and DASUTWC5004310**  
**i.e. antennas without reflector DASUTCCACC1**



Issue:1651

In the effort to improve our products, we reserve the right to make changes judged to be necessary.

CONFIDENTIAL AND PROPRIETARY INFORMATION

This document contains confidential and proprietary information of Pulse Electronics, Inc. (Pulse) and is protected by copyright, trade secret and other state and federal laws. Its receipt or possession does not convey any rights to reproduce, disclose its contents, or to manufacture, use or sell anything it may describe. Reproduction, disclosure or use without specific written authorization of Pulse is strictly forbidden.

Description: UltraThin, clear radome antenna for iDAS

Series: CLARITY

PART NUMBER: DASUTWCxxx

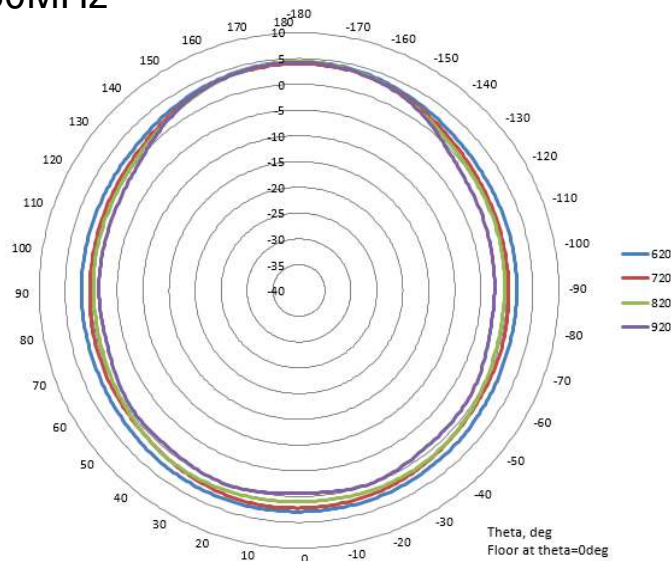
CHARTS

DASUTWC500NF, DASUTWC500MD and DASUTWC5004310

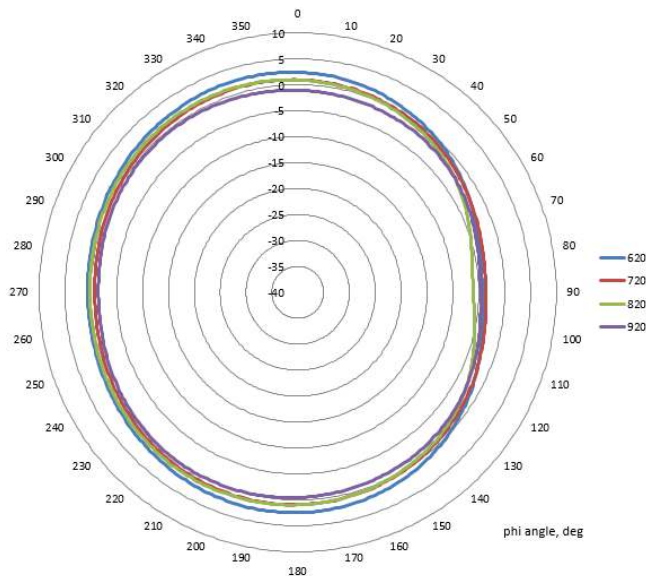
i.e. antennas **without** reflector DASUTCCACC1

Radiation patterns, 608-960MHz

Low band elevation plane



Low band conical azimuth plane @ 45deg elevation



Issue:1651

In the effort to improve our products, we reserve the right to make changes judged to be necessary.

CONFIDENTIAL AND PROPRIETARY INFORMATION

This document contains confidential and proprietary information of Pulse Electronics, Inc. (Pulse) and is protected by copyright, trade secret and other state and federal laws. Its receipt or possession does not convey any rights to reproduce, disclose its contents, or to manufacture, use or sell anything it may describe. Reproduction, disclosure or use without specific written authorization of Pulse is strictly forbidden.



Description: UltraThin, clear radome antenna for iDAS

Series: CLARITY

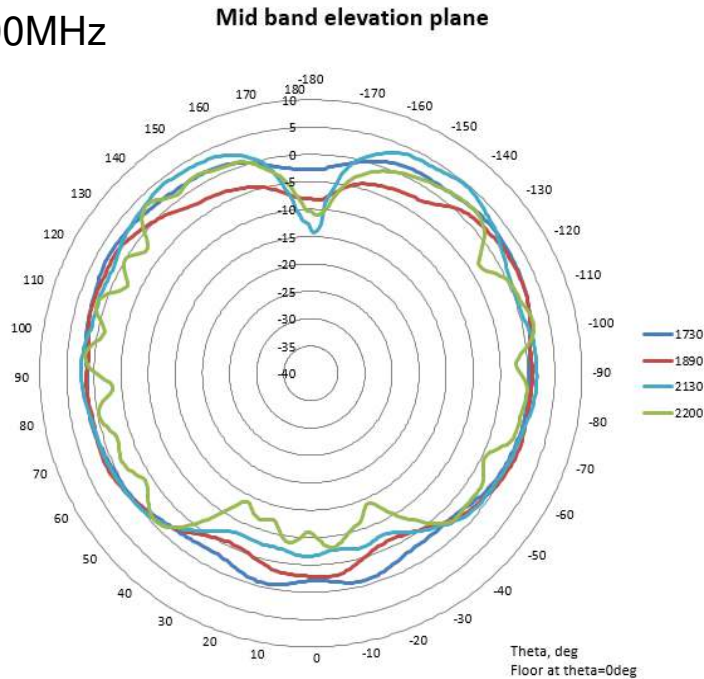
PART NUMBER: DASUTWCxxx

**CHARTS**

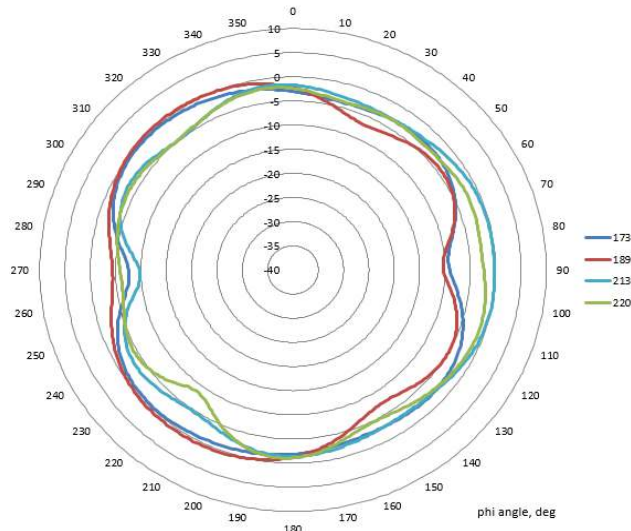
**DASUTWC500NF, DASUTWC500MD and DASUTWC5004310**

**i.e. antennas without reflector DASUTCCACC1**

Radiation patterns, 1695-2200MHz



Mid band conical azimuth plane @ 45deg elevation



Issue:1651

In the effort to improve our products, we reserve the right to make changes judged to be necessary.

CONFIDENTIAL AND PROPRIETARY INFORMATION

This document contains confidential and proprietary information of Pulse Electronics, Inc. (Pulse) and is protected by copyright, trade secret and other state and federal laws. Its receipt or possession does not convey any rights to reproduce, disclose its contents, or to manufacture, use or sell anything it may describe. Reproduction, disclosure or use without specific written authorization of Pulse is strictly forbidden.



Description: UltraThin, clear radome antenna for iDAS

Series: CLARITY

PART NUMBER: DASUTWCxxx

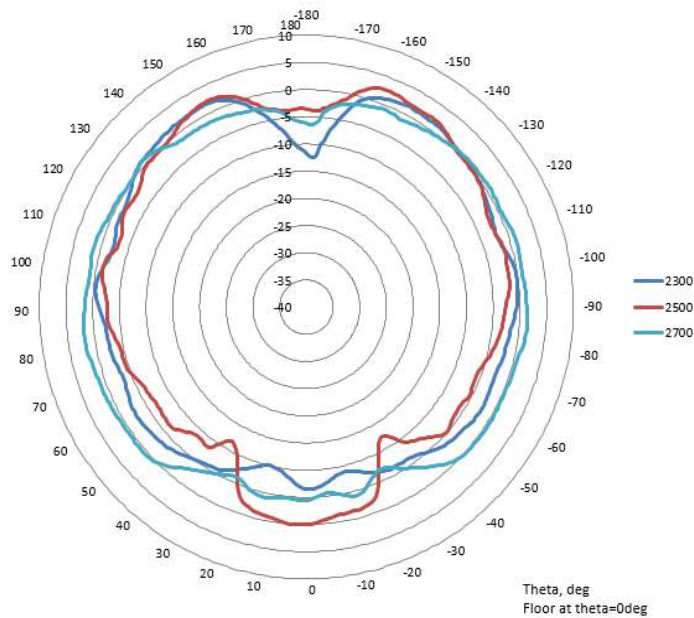
CHARTS

**DASUTWC500NF, DASUTWC500MD and DASUTWC5004310**

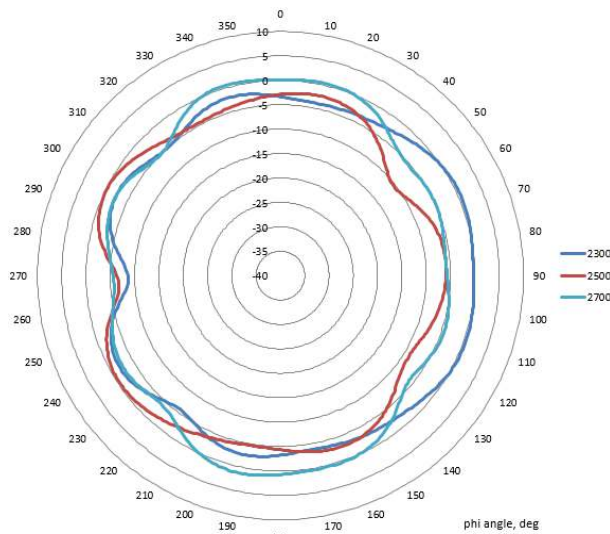
**i.e. antennas without reflector DASUTCCACC1**

Radiation patterns, 2300-2700MHz

High band elevation plane



High band conical azimuth plane @ 45deg elevation



Issue:1651

In the effort to improve our products, we reserve the right to make changes judged to be necessary.

CONFIDENTIAL AND PROPRIETARY INFORMATION

This document contains confidential and proprietary information of Pulse Electronics, Inc. (Pulse) and is protected by copyright, trade secret and other state and federal laws. Its receipt or possession does not convey any rights to reproduce, disclose its contents, or to manufacture, use or sell anything it may describe. Reproduction, disclosure or use without specific written authorization of Pulse is strictly forbidden.

Description: UltraThin, clear radome antenna for iDAS

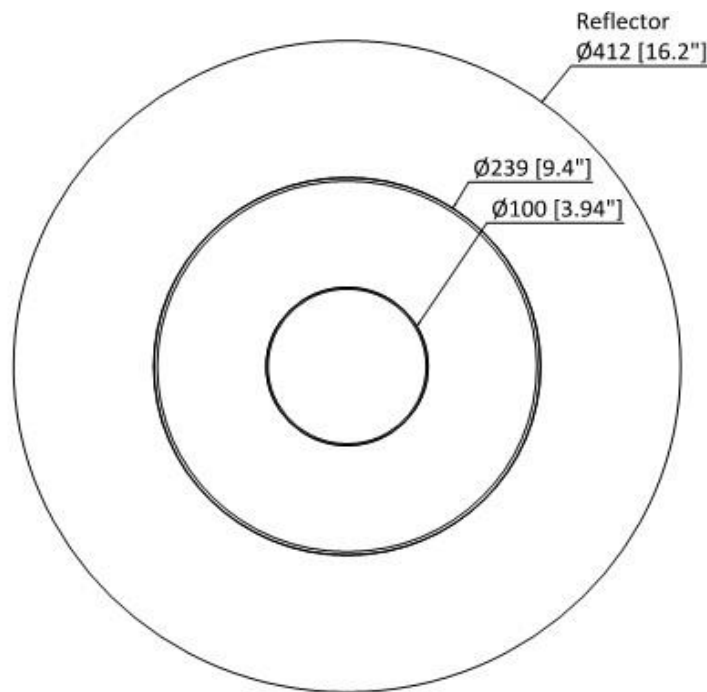
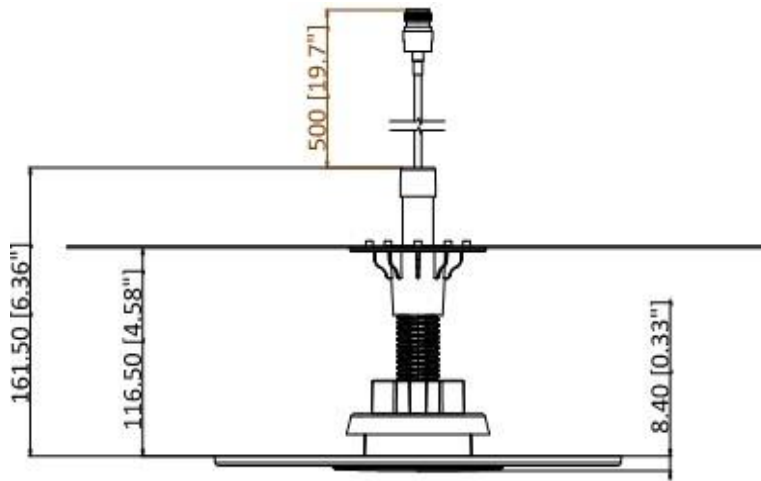
Series: CLARITY

PART NUMBER: DASUTWCxxx

MECHANICAL DRAWING

DASUTWCR500NF, DASUTWCR500MD and DASUTWCR5004310

i.e. antennas with reflector DASUTCCACC1



Issue:1651

In the effort to improve our products, we reserve the right to make changes judged to be necessary.

CONFIDENTIAL AND PROPRIETARY INFORMATION

This document contains confidential and proprietary information of Pulse Electronics, Inc. (Pulse) and is protected by copyright, trade secret and other state and federal laws. Its receipt or possession does not convey any rights to reproduce, disclose its contents, or to manufacture, use or sell anything it may describe. Reproduction, disclosure or use without specific written authorization of Pulse is strictly forbidden.

Description: UltraThin, clear radome antenna for iDAS

Series: CLARITY

PART NUMBER: DASUTWCxxx

**ELECTRICAL SPECIFICATIONS**

**DASUTWCR500NF, DASUTWCR500MD and DASUTWCR5004310**

**i.e. antennas with reflector DASUTCCACC1**

Frequency	608-960 / 1695-2200 / 2300-2700MHz
Nominal Impedance	50Ω
VSWR (698-960MHz)	2:1
VSWR (1695-2700MHz)	2:1
Average Peak Gain (608-960MHz)	7dBi
Average Peak Gain (1695-2200MHz)	7dBi
Average Peak Gain (2300-2700MHz)	5dBi
Efficiency (608-960MHz)	70%
Efficiency (1695-2200MHz)	65%
Efficiency (2300-2700MHz)	60%
Horizontal plane (th=45deg)	Omni
HPBW Vertical plane (608-960MHz)	90° Typ
HPBW Vertical plane (1695-2200MHz)	25° Typ
HPBW Vertical plane (2300-2700MHz)	25° Typ
Maximum power input	40W
PIM at 2x20W	<-155dBc
Connector type	N-female, 4.1-9.5 Mini-DIN female or 4.3-10 DIN female
Cable type	Dia. 0.16" low loss, Low PIM, Plenum Rated
Cable length [Inches/mm]	19.7" / 500mm

Issue:1651

In the effort to improve our products, we reserve the right to make changes judged to be necessary.

CONFIDENTIAL AND PROPRIETARY INFORMATION

This document contains confidential and proprietary information of Pulse Electronics, Inc. (Pulse) and is protected by copyright, trade secret and other state and federal laws. Its receipt or possession does not convey any rights to reproduce, disclose its contents, or to manufacture, use or sell anything it may describe. Reproduction, disclosure or use without specific written authorization of Pulse is strictly forbidden.

Description: UltraThin, clear radome antenna for iDAS

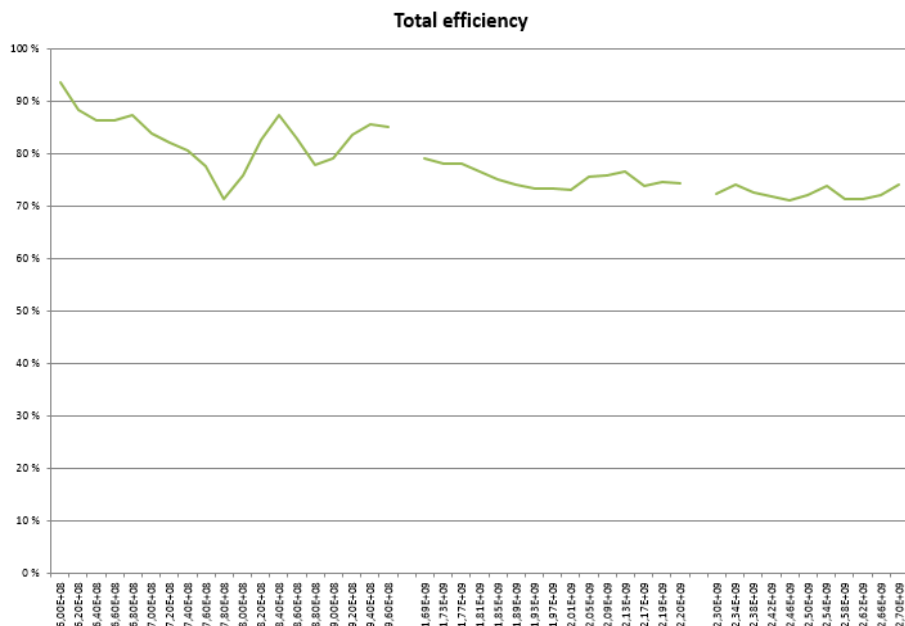
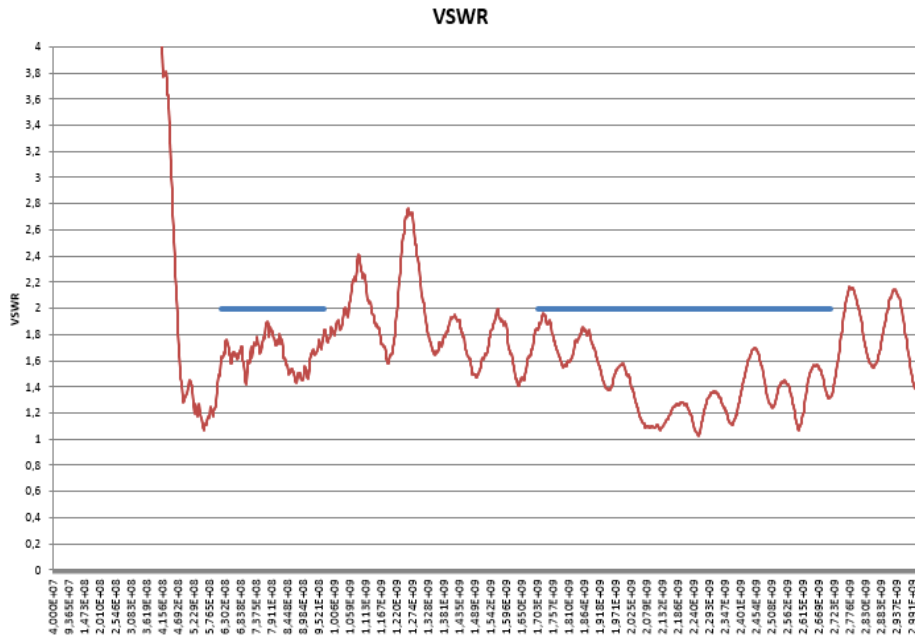
Series: CLARITY

PART NUMBER: DASUTWCxxx

CHARTS

**DASUTWCR500NF, DASUTWCR500MD and DASUTWCR5004310**

i.e. antennas **with** reflector DASUTCCACC1



Issue:1651

In the effort to improve our products, we reserve the right to make changes judged to be necessary.

CONFIDENTIAL AND PROPRIETARY INFORMATION

This document contains confidential and proprietary information of Pulse Electronics, Inc. (Pulse) and is protected by copyright, trade secret and other state and federal laws. Its receipt or possession does not convey any rights to reproduce, disclose its contents, or to manufacture, use or sell anything it may describe. Reproduction, disclosure or use without specific written authorization of Pulse is strictly forbidden.



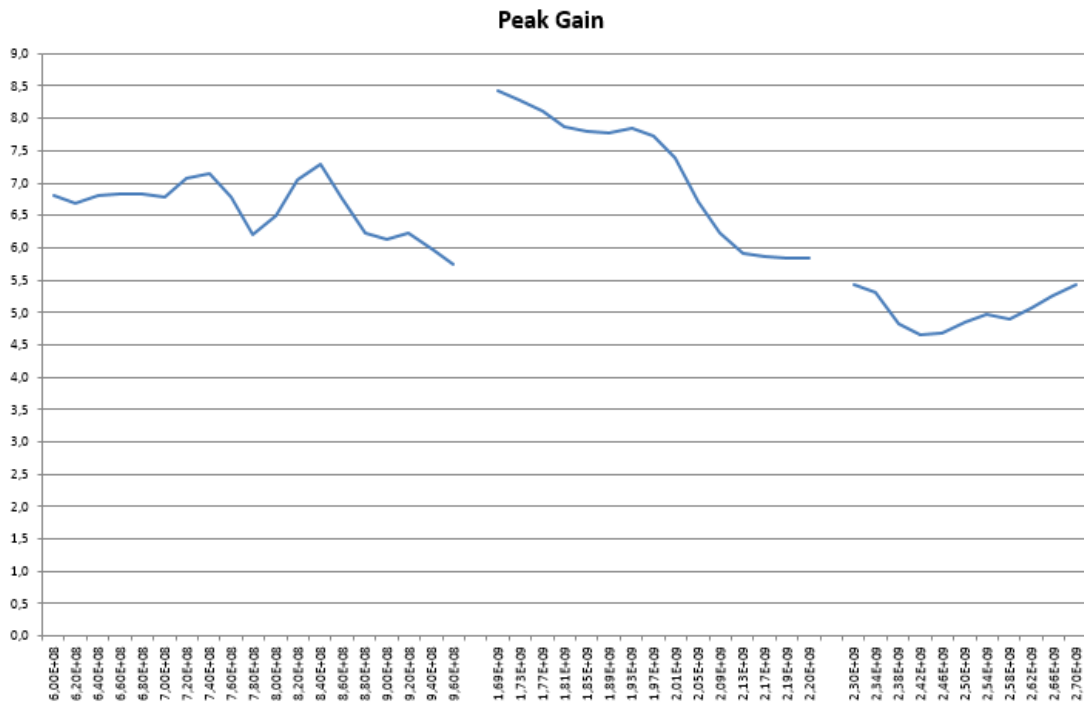
Description: UltraThin, clear radome antenna for iDAS

Series: CLARITY

PART NUMBER: DASUTWCxxx

CHARTS

**DASUTWCR500NF, DASUTWCR500MD and DASUTWCR5004310**  
**i.e. antennas with reflector DASUTCCACC1**



Description: UltraThin, clear radome antenna for iDAS

Series: CLARITY

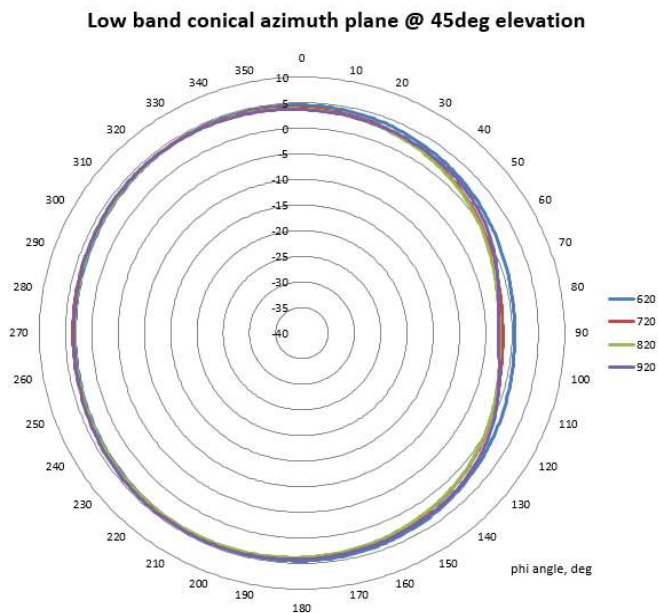
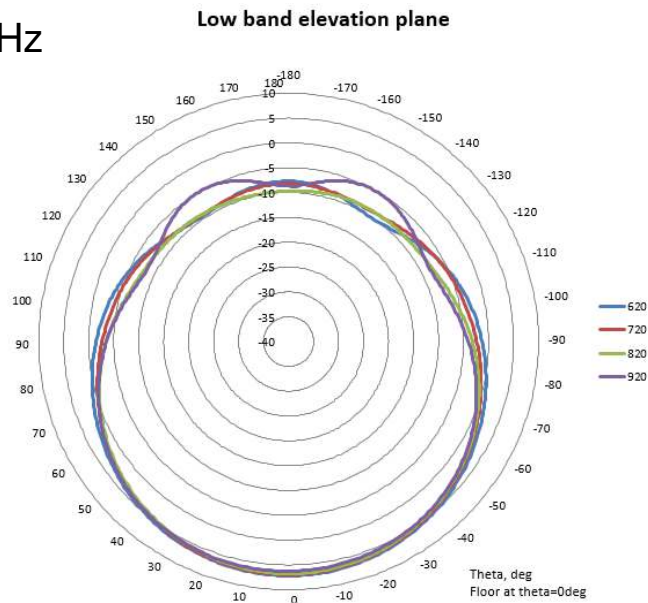
PART NUMBER: DASUTWCxxx

CHARTS

DASUTWCR500NF, DASUTWCR500MD and DASUTWCR5004310

i.e. antennas with reflector DASUTCCACC1

Radiation patterns, 608-960MHz



Issue:1651

In the effort to improve our products, we reserve the right to make changes judged to be necessary.

CONFIDENTIAL AND PROPRIETARY INFORMATION

This document contains confidential and proprietary information of Pulse Electronics, Inc. (Pulse) and is protected by copyright, trade secret and other state and federal laws. Its receipt or possession does not convey any rights to reproduce, disclose its contents, or to manufacture, use or sell anything it may describe. Reproduction, disclosure or use without specific written authorization of Pulse is strictly forbidden.



Description: UltraThin, clear radome antenna for iDAS

Series: CLARITY

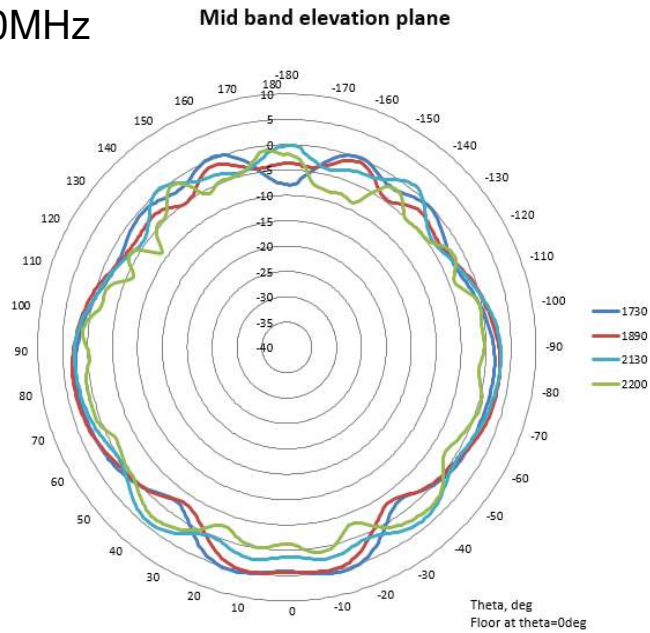
PART NUMBER: DASUTWCxxx

CHARTS

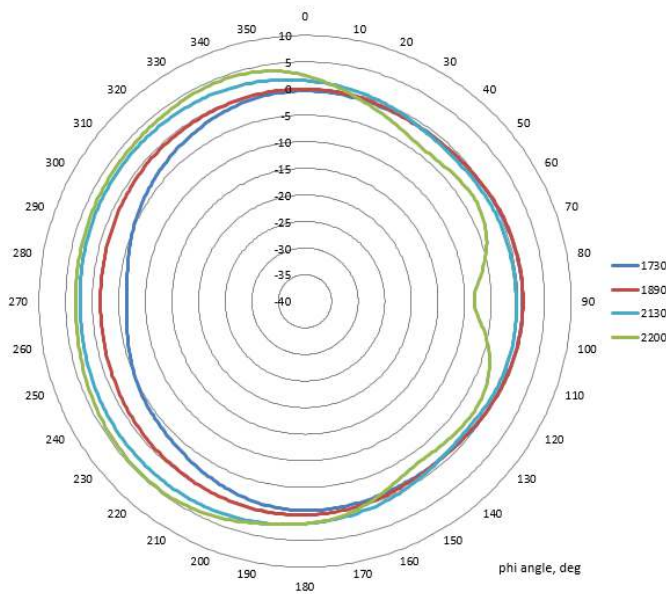
**DASUTWCR500NF, DASUTWCR500MD and DASUTWCR5004310**

**i.e. antennas with reflector DASUTCCACC1**

Radiation patterns, 1695-2200MHz



Mid band conical azimuth plane @ 45deg elevation



Issue:1651

In the effort to improve our products, we reserve the right to make changes judged to be necessary.

CONFIDENTIAL AND PROPRIETARY INFORMATION

This document contains confidential and proprietary information of Pulse Electronics, Inc. (Pulse) and is protected by copyright, trade secret and other state and federal laws. Its receipt or possession does not convey any rights to reproduce, disclose its contents, or to manufacture, use or sell anything it may describe. Reproduction, disclosure or use without specific written authorization of Pulse is strictly forbidden.

Description: UltraThin, clear radome antenna for iDAS

Series: CLARITY

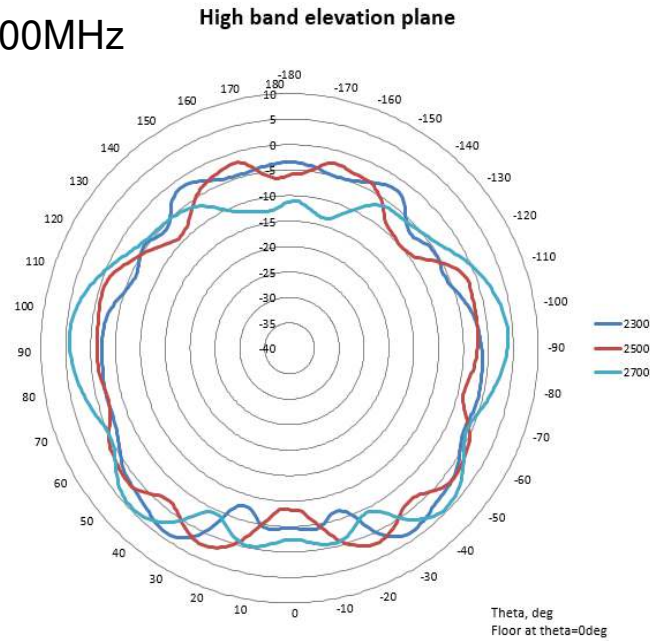
PART NUMBER: DASUTWCxxx

CHARTS

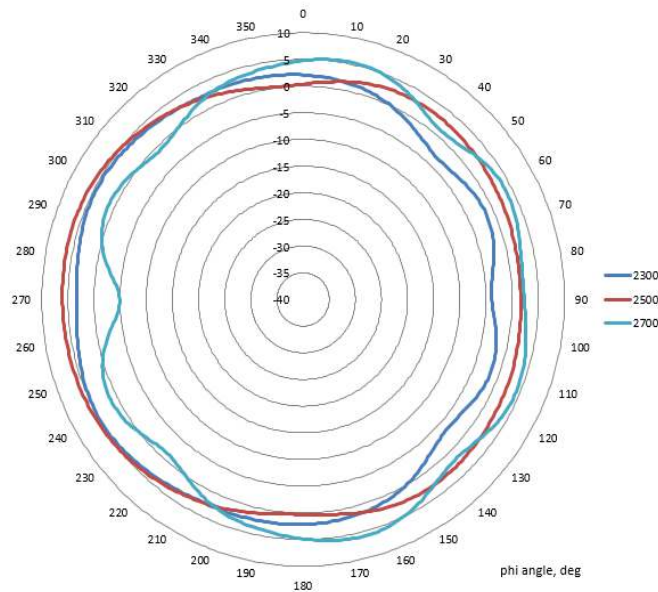
**DASUTWCR500NF, DASUTWCR500MD and DASUTWCR5004310**

**i.e. antennas with reflector DASUTCCACC1**

Radiation patterns, 2300-2700MHz



High band conical azimuth plane @ 45deg elevation



Issue:1651

In the effort to improve our products, we reserve the right to make changes judged to be necessary.

CONFIDENTIAL AND PROPRIETARY INFORMATION

This document contains confidential and proprietary information of Pulse Electronics, Inc. (Pulse) and is protected by copyright, trade secret and other state and federal laws. Its receipt or possession does not convey any rights to reproduce, disclose its contents, or to manufacture, use or sell anything it may describe. Reproduction, disclosure or use without specific written authorization of Pulse is strictly forbidden.

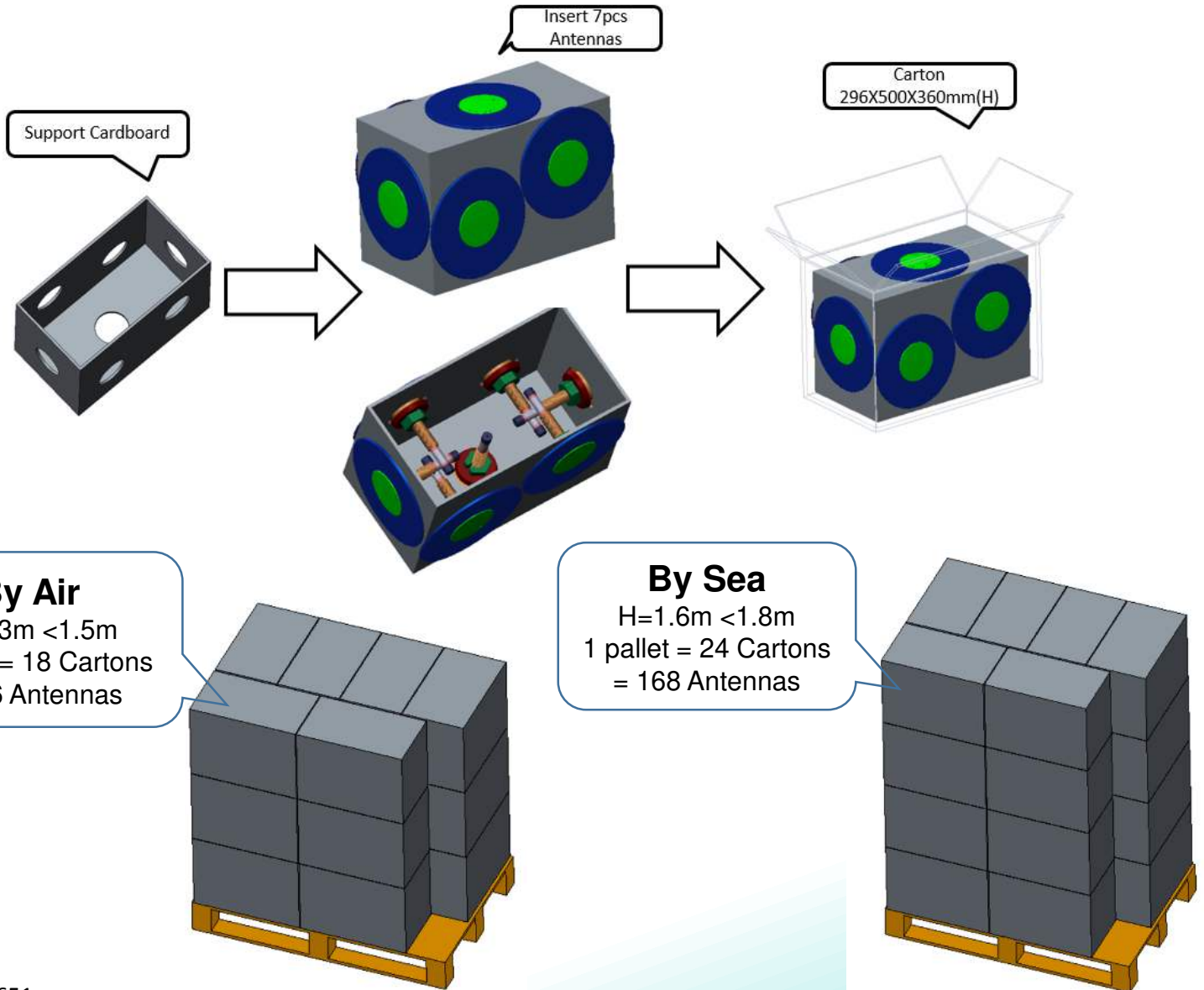
Description: UltraThin, clear radome antenna for iDAS

Series: CLARITY

PART NUMBER: DASUTWCxxx

PACKAGING

Pulse Part Number	Reflector	Carton	Pallet
DASUTWC500NF	Not Included	7 Antennas packed in a carton 1 label on each box with quantity, part number, date code.	18 cartons (126 antennas) stack on 1 pallet by air 24 cartons (168 antennas) stack on 1 pallet by sea
DASUTWC500MD	Not Included		
DASUTWC5004310	Not Included		



Issue:1651

In the effort to improve our products, we reserve the right to make changes judged to be necessary.  
CONFIDENTIAL AND PROPRIETARY INFORMATION

This document contains confidential and proprietary information of Pulse Electronics, Inc. (Pulse) and is protected by copyright, trade secret and other state and federal laws. Its receipt or possession does not convey any rights to reproduce, disclose its contents, or to manufacture, use or sell anything it may describe. Reproduction, disclosure or use without specific written authorization of Pulse is strictly forbidden.

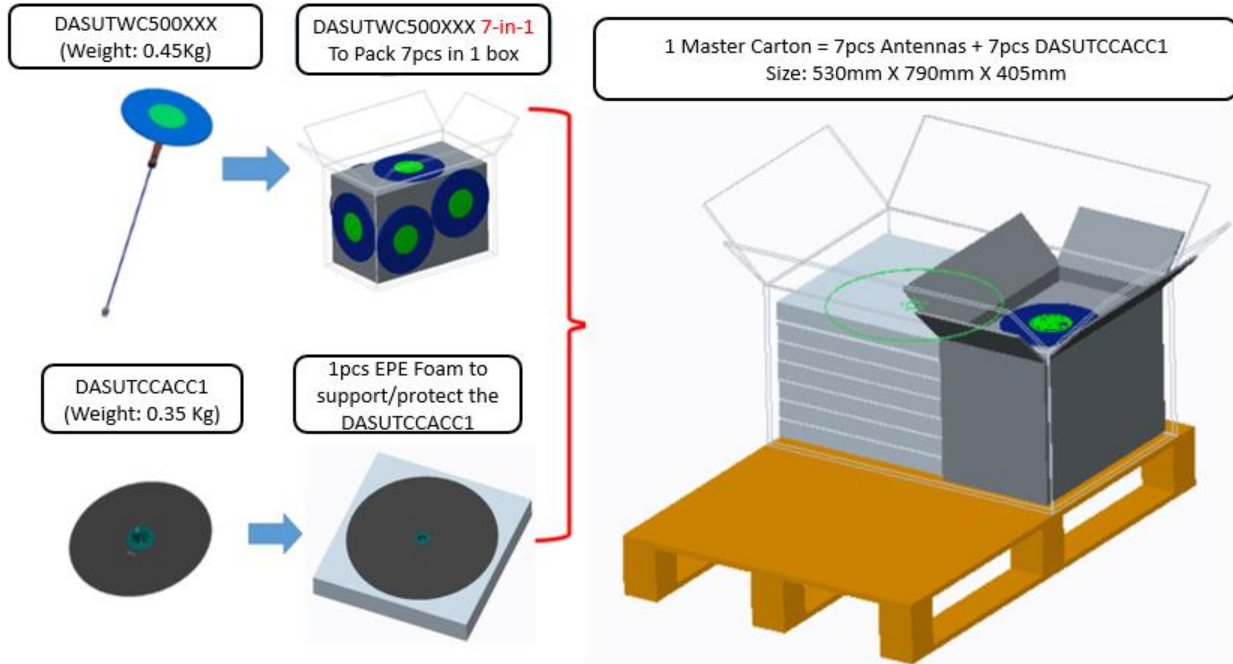
Description: UltraThin, clear radome antenna for iDAS

Series: CLARITY

PART NUMBER: DASUTWCxxx

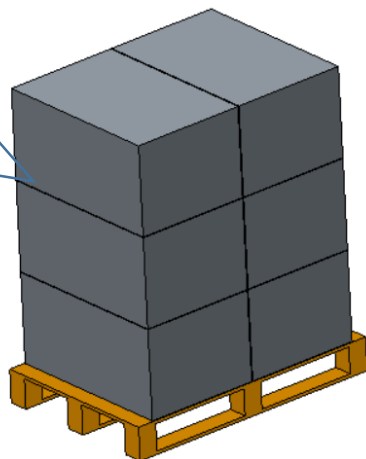
PACKAGING

Pulse Part Number	Reflector	Carton	Pallet
DASUTWCR500NF	Included	7 Antennas and 7 DASUTCCACC1 packed in a master carton 1 label on each box with quantity, part number, date code.	6 cartons (42 Antennas and 42 DASUTCCACC1) stack on 1 pallet by air 8 cartons (56 Antennas and 56 DASUTCCACC1) stack on 1 pallet by sea
DASUTWCR500MD	Included		
DASUTWCR5004310	Included		



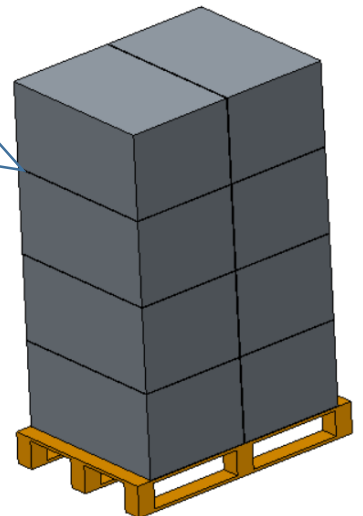
**By Air**

H=1.37m < 1.5m  
1 pallet = 6 Cartons  
= 42 Antennas + 42 DASUTCCACC1



**By Sea**

H=1.77m < 1.8m  
1 pallet = 8 Cartons  
= 56 Antennas + 56 DASUTCCACC1



Issue:1651

In the effort to improve our products, we reserve the right to make changes judged to be necessary.

CONFIDENTIAL AND PROPRIETARY INFORMATION

This document contains confidential and proprietary information of Pulse Electronics, Inc. (Pulse) and is protected by copyright, trade secret and other state and federal laws. Its receipt or possession does not convey any rights to reproduce, disclose its contents, or to manufacture, use or sell anything it may describe. Reproduction, disclosure or use without specific written authorization of Pulse is strictly forbidden.



Description: UltraThin, clear radome antenna for iDAS

Series: CLARITY

PART NUMBER: DASUTCWxxxx

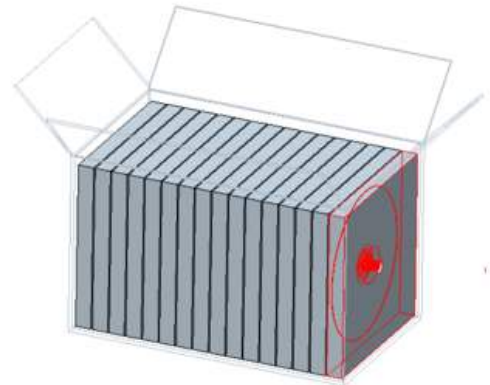
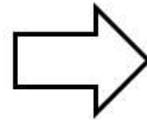
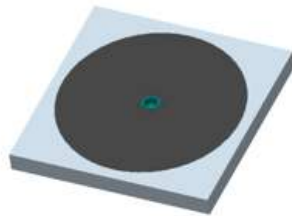
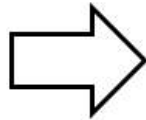
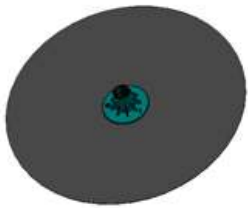
PACKAGING

Accessory Part Number	Carton	Pallet
DASUTCCACC1	16 Reflectors (DASUTCCACC1) packed in a carton 1 label on each box with quantity, part number, date code.	4 cartons (64 DASUTCCACC1) stack on 1 pallet by air 6 cartons (96 DASUTCCACC1) stack on 1 pallet by sea

DASUTCCACC1  
(Size: Ø411.8mm  
Weight: 0.35Kg)

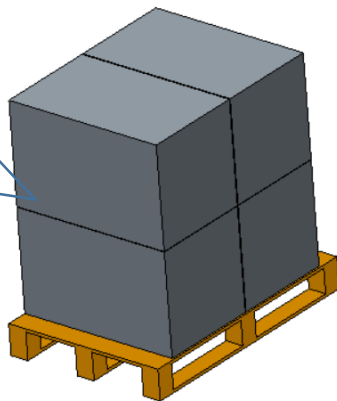
1pcs EPE Foam (075-4843.001)  
to support/protect this reflector

1pcs Carton (079-00424.001)  
790X490X500mm  
to 16pcs DASUTCCACC1



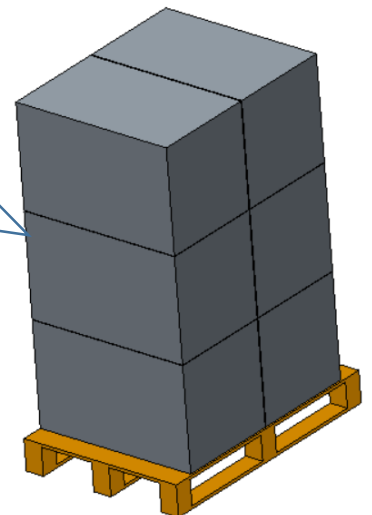
**By Air**

H=1.2m < 1.5m  
1 pallet = 4 Cartons  
= 64 DASUTCCACC1



**By Sea**

H=1.65m < 1.8m  
1 pallet = 6 Cartons  
= 96 DASUTCCACC1



Description: UltraThin, clear radome antenna for iDAS

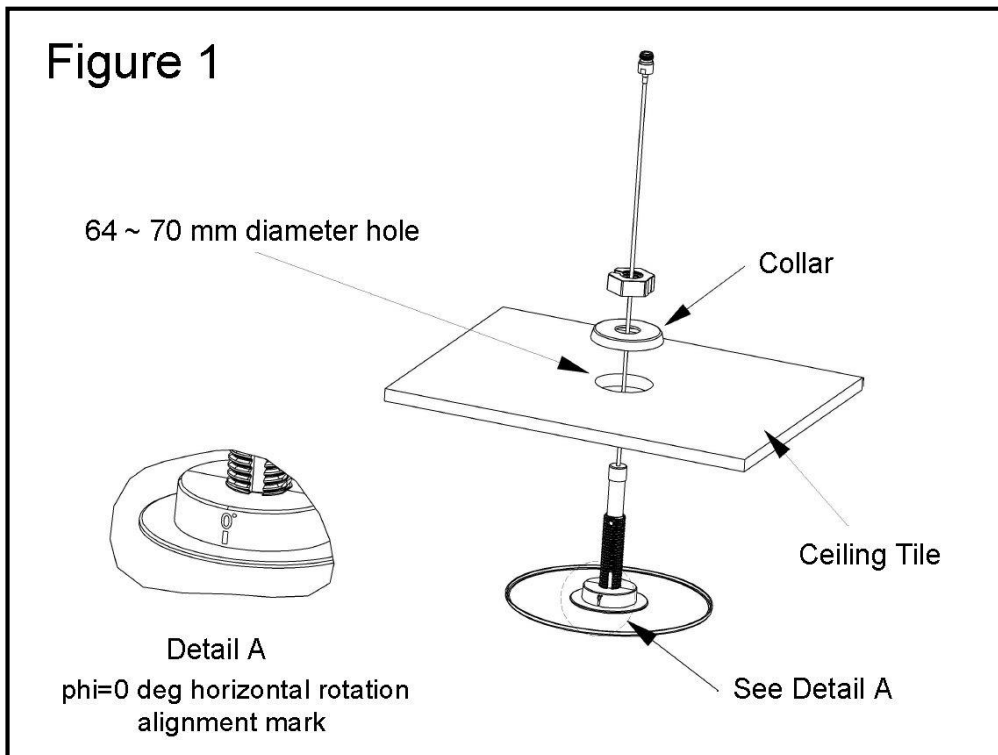
Series: CLARITY

PART NUMBER: DASUTCxxx

ASSEMBLY

# Installation

1. Drill or cut a hole 2.5-2.75 inches (64-70 mm) diameter at the center of the ceiling tile or at the desired location. Slide the antenna cable/connector assembly through the hole. Slide the Collar and Nut onto the cable. Turn the Nut, tightening the antenna against the ceiling tile. See



Note: Fiberboard ceiling tile is soft; tighten the nut just enough to hold the antenna firmly in place.

If using the reflector, thread the reflector onto the Antenna Stem before attaching the connectors. See Figure 2.



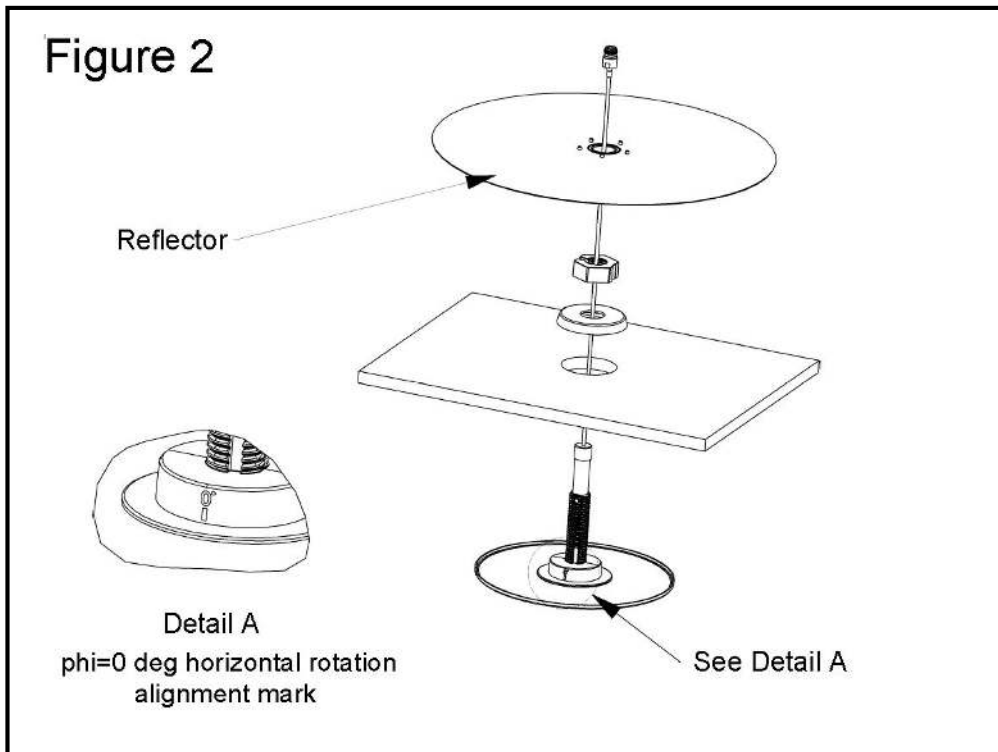
**Description: UltraThin, clear radome antenna for iDAS**

**Series: CLARITY**

**PART NUMBER: DASUTCxxx**

## ASSEMBLY

If using the reflector, thread the reflector onto the Antenna Stem before attaching the connectors. See Figure 2.



### ADDITIONAL NOTES:

Some customers may choose to take into consideration the antenna propagation orientation during their planning process. The Horizontal rotation alignment mark (Phi=0 deg), along with data from iBwave file will support this.

For Optimum Performance, Metal ceiling rails need to be a minimum 200mm from the - antenna center as the antenna requires 400mm x 400mm space free of any metal.

N Female: Maximum Torque 6.2-9.74 in-lbs (0.7-1.1Nm)

Mini-DIN: Maximum torque 12-16 ft Lbs (17-22Nm)

4.3-10 DIN: Maximum torque 45-70 in-lbs (5-8Nm)