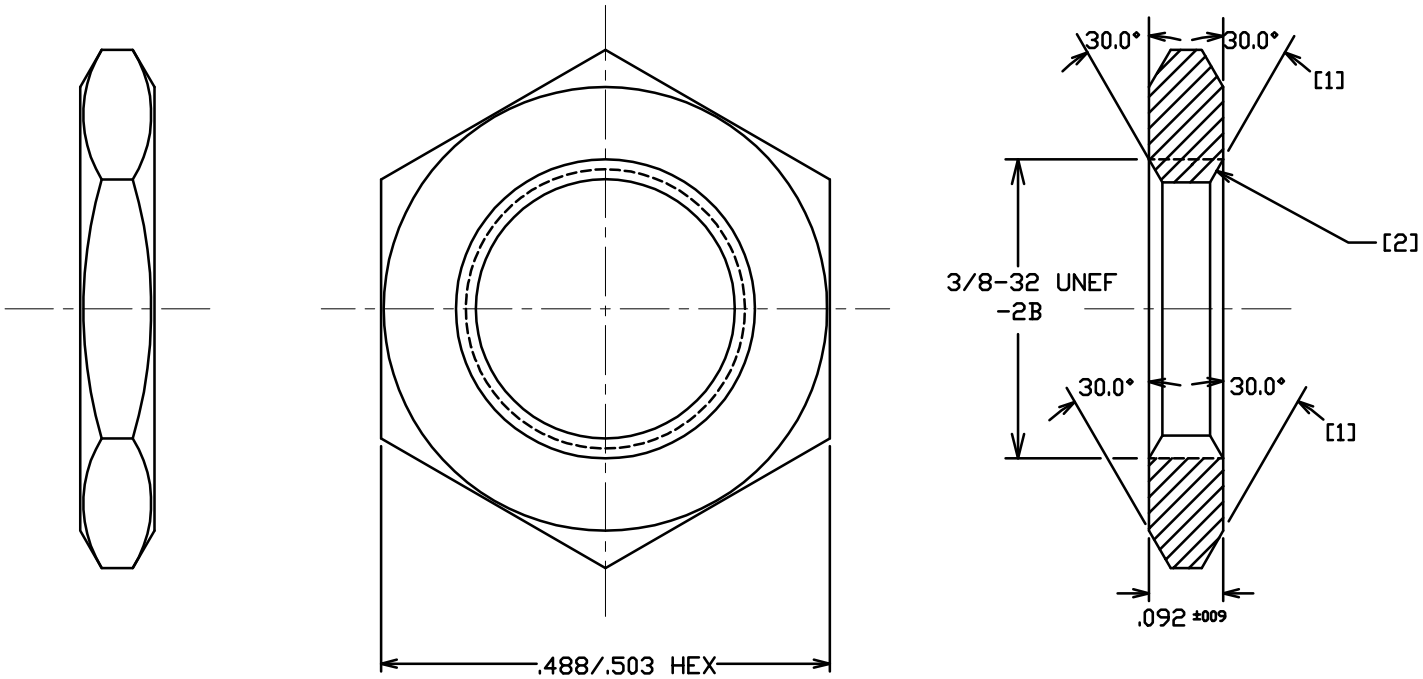


UNIT : INCH



- NOTES :
- [1]. 30° CHAMFERS ARE OPTIONAL.
 - [2]. .005" HI BURR PERMISSIBLE
 - 3 . DOUBLE CHFR HEX STEEL NUT.
 - 4 . .00006~.00010 NI PLATE

CTS

COMPONENTS TAIWAN LTD.
KAOHSIUNG, TAIWAN

CAD LIST : ACAD(A)-CATALOGUE-82
FILE NAME : 45T-3

PART NO. 45T-3

REV

CUSTOMER :

SCALE : NA

TOLERANCE UNLESS OTHERWISE
SPECIFIED

DRAWN BY : S.S.Chen

APPROVED BY :

CTS TYPE : NUT

.XXX (3 PLACE) : ± .003
ANGLE : ± 5°

CHECKED BY :

ISSUED DATE : 02-06-14'