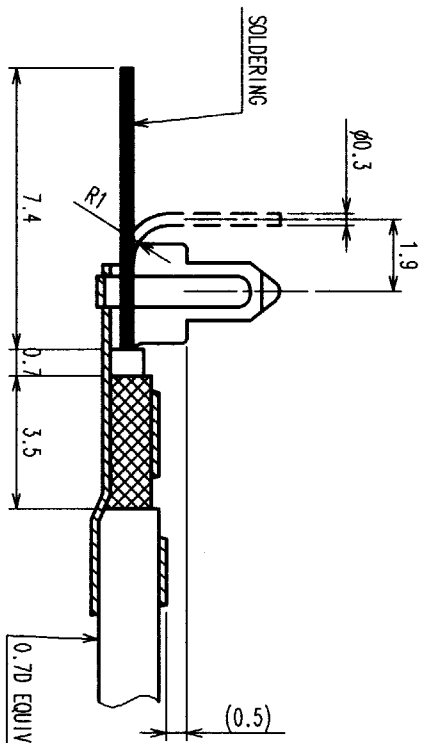
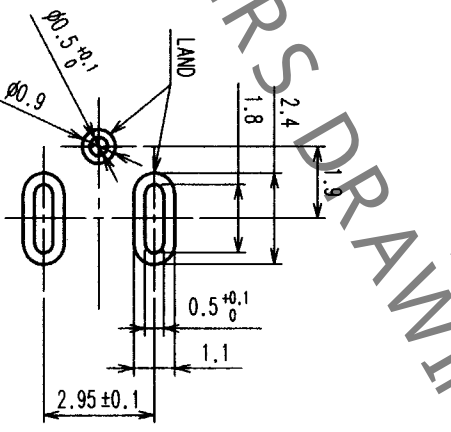
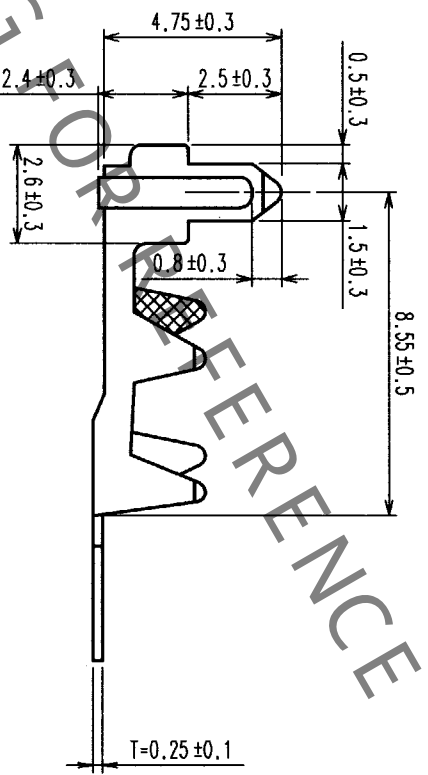
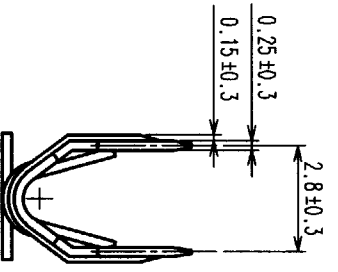
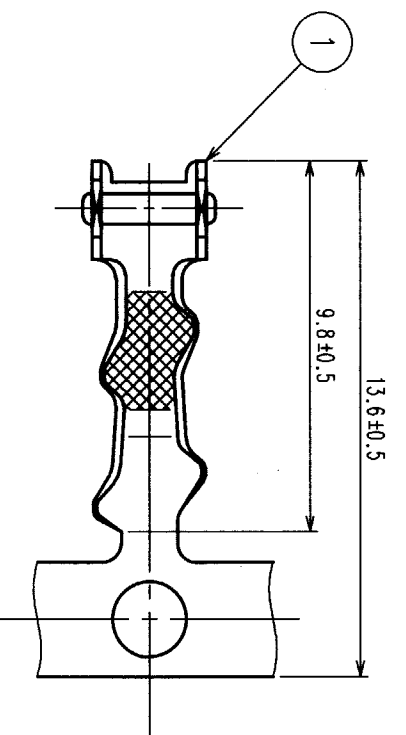


In case of consideration for using Automotive equipment / device which demand high reliability, kindly contact our sales window correspondents.

COUNT	DESCRIPTION OF REVISIONS	BY	CHKD	DATE	COUNT	DESCRIPTION OF REVISIONS	BY	CHKD	DATE



RECOMMENDED PC BOARD LAYOUT

RECOMMENDED CABLE ASSEMBLY FIGURE

1	BRASS	TIN PLATED						
NO.	MATERIAL	FINISH, REMARKS						
CODE NO. (OLD)	CL							
DRAWN	T. IKEDA	DESIGNED	T. IKEDA	CHECKED	M. Okawara	APPROVED	K. Nishii	RELEASED
DATE	'01.12.05	DATE	'01.12.12	DATE	'01.12.12	DATE	'02.2.25	

SAFETY	5 : 1	DRAWING NO.	EDC4-165552	PART NO.	GTB-0.7CF
UNITS	MM	CODE NO.	CL755-0075-5		
HRS		HIROSE ELECTRIC CO., LTD.		FORM NO. 22B	

TO

