



MC801 FIBER OPTIC CONNECTORS

RUGGED, RELIABLE CONNECTIVITY COMBINING HIGH-PERFORMANCE ARINC 801 TERMINI WITH THE VERSATILITY AND FAMILIARITY OF D38999 SERIES III STYLE CONNECTORS

MC801 FIBER OPTIC CONNECTORS



RELIABLE

- Genderless pull-proof contact design
- Precise alignment of optical interface
- Spring-loaded termini maintain optical contact during shock, vibration, and thermal extremes

EASY TO USE

- Removable alignment insert for easy inspection and cleaning
- Field terminable
- Uses standard size 16 insertion/extraction tools

HIGH PERFORMANCE

- Low loss
- PC and APC end face finishes for multimode and single mode applications
- Reduces overall system losses

FLEXIBLE

- Eight shell sizes for 2 to 32 fibers
- Range of shell materials and finishes to meet various application demands

PROVEN PEDIGREE

- Widely used termini in aerospace and military applications
- Meets ARINC 801.3 requirements
- MIL-DTL-38999 Series III-style shells
- Use widely available 38999 backshells and accessories

COMPATIBLE

- Intermateable with competitive D38999 connectors using ARINC 801 contacts

The MC801 connector combines the high performance of ARINC 801 optical termini with the convenience of a familiar D38999 Series III connector style.

The connector's threaded coupling and the termini's spring-loaded design make an excellent solution for high-vibration applications. The compact 1.25-mm ferrule provides a high-density solution—with up to 32 fibers in a size 25 shell.

The 38999-style connector offers scoop-proof mating, a wide selection of materials and finishes, six keying options, and compatibility with standard 38999 backshells and hardware.

Optical alignment is achieved with a thermoplastic insert containing precision zirconia alignment sleeves. Inserts, which are available for use with either the plug or receptacle, are removable to simplify cleaning. Stainless steel dowel pins also aid alignment during mating.

MATERIALS

Shell: Aluminum, stainless steel, marine bronze, and composite

Finishes: Nickel, black zinc nickel, passivated

Insert and Alignment Sleeve Holder: Thermoplastic

Alignment Dowel Pins: Stainless steel

Alignment Sleeve: Zirconia

Ferrule: Zirconia

Terminus Body and Crimp Sleeve: Nickel-plated copper

Spring: Stainless steel

OPTICAL PERFORMANCE

Insertion Loss: 0.10 dB multimode
0.20 dB single mode (APC finish)

Return Loss: Up to -65 dB (single mode, APC finish)

Insertion loss tested against a reference patchcord:
IEC 61300-3-4 Method B; also described in the ARINC 805 standard

Return Loss: IEC 61300-3-6; also described in the ARINC 805 standard

ENVIRONMENTAL/MECHANICAL PERFORMANCE

Temperature Range: -65°C to +85°C

Durability: 500 mating cycles

Random Vibration: No discontinuities >1 dB in excess of 1 μ s
(TIA/EIA-455-32 Test Condition B)

Mechanical Shock: No discontinuities >1 dB in excess of 1 μ s
(100 g, 6 ms half-sine pulse)

Altitude Immersion: 50,000 ft. (15,200 m)

Salt Spray: 500 hours Cadmium plating

SPECIFICATIONS

Product Specification: D108-32105

Qualification Test Reports: D501-32031 (Multimode)
D501-32105 (Single Mode)

TE Components . . . TE Technology . . . TE Know-how . . .

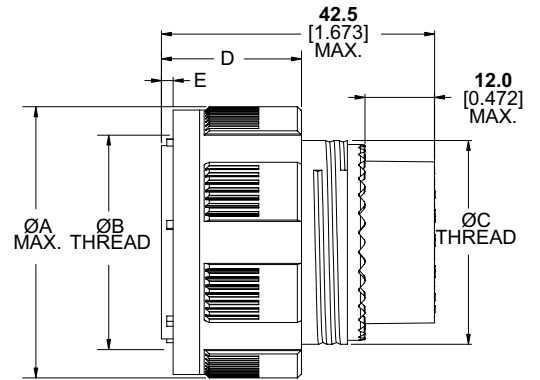
AMP | Agastat | CII | Hartman | Kilovac | Microdot | Nanonics | Polamco | Raychem | Rochester | DEUTSCH | SEACON Phoenix | L.L. Rowe | Phoenix Optix | AFP | SEACON

Get your product to market faster with a smarter, better solution.

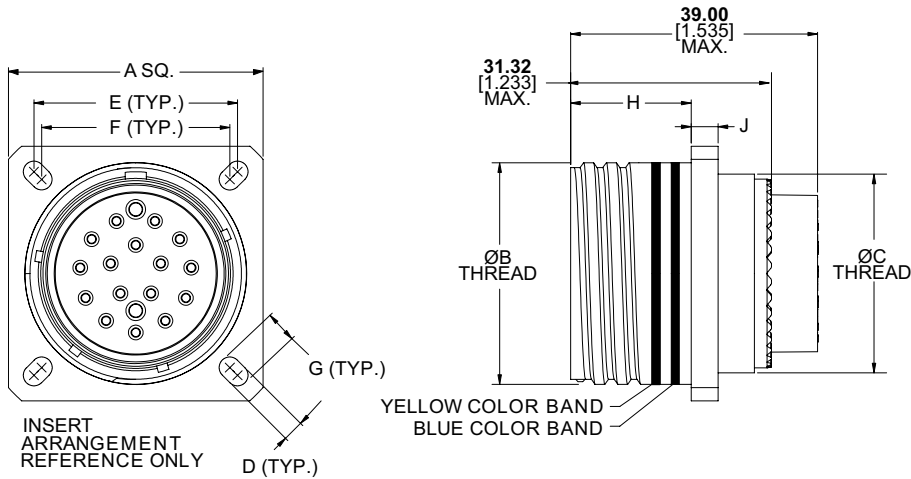


Plug Connector

Insert	ØA	B Thread Stub 60° Mod 1P-3L Class 2 (In)	ØC	D	E
11-02	24.94 (0.982)	0.7500	M15 x 1.0		
13-04	29.34 (1.155)	0.8750	M18 x 1.0	21.27 0.837	1.84 0.072
15-06	32.46 (1.278)	1.0000	M22 x 1.0		
17-08	35.66 (1.404)	1.1875	M25 x 1.0		
19-12	38.46 (1.514)	1.2500	M28 x 1.0		
21-16	41.66 (1.640)	1.3750	M31 x 1.0	21.50 0.846	2.07 0.081
23-24	44.86 (1.766)	1.5000	M34 x 1.0		
25-32	47.98 (1.889)	1.6250	M37 x 1.0		



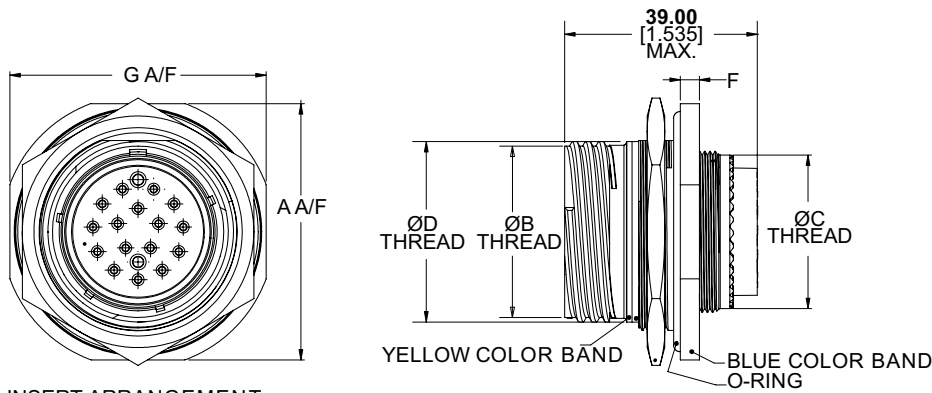
Square-Flange Receptacle Connector



Insert	ØA	B Thread Stub 60° Mod 1P-3L Class 2A (In)	ØC	D	E	F	G	H	J
11-02	26.21 (1.032)	0.7500	M15 x 1.0		20.62 (0.812)	18.26 (0.719)	4.98		
13-04	28.63 (1.127)	0.8750	M18 x 1.0		23.01 (0.906)	20.62 (0.812)	0.196		
15-06	31.01 (1.221)	1.0000	M22 x 1.0	3.30 0.130	24.61 (0.969)	23.01 (0.906)	4.45 0.175	19.61 0.772	3.40 0.134
17-08	33.32 (1.312)	1.1875	M25 x 1.0		26.97 (1.062)	24.61 (0.969)			
19-12	36.53 (1.438)	1.2500	M28 x 1.0		29.36 (1.156)	26.97 (1.062)	4.98 0.196		
21-16	39.73 (1.564)	1.3750	M31 x 1.0		31.75 (1.250)	29.36 (1.156)			
23-24	42.93 (1.690)	1.5000	M34 x 1.0	3.96 0.156	34.93 (1.375)	31.75 (1.250)	6.20 0.244	18.80 0.740	4.22 0.166
25-32	46.02 (1.812)	1.6250	M37 x 1.0		38.10 (1.500)	34.93 (1.375)			



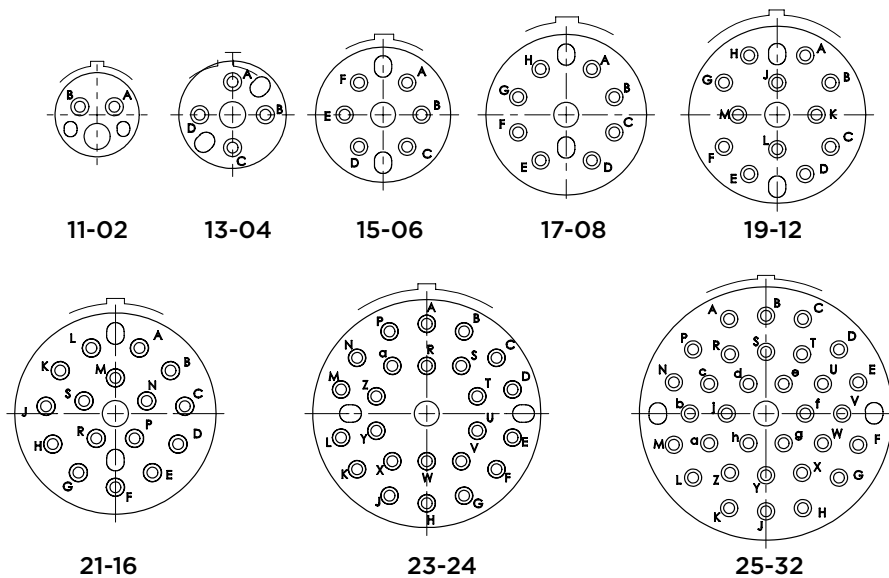
Jam Nut Receptacle Connector



INSERT ARRANGEMENT
REFERENCE ONLY

Insert	ØA	B Thread Stub 60° Mod 1P-3L Class 2A (In)	ØC	ØD	ØE	F	G
11-02	31.80 (1.252)	0.7500	M15 x 1.0	M20 x 1.0	34.90 (1.374)	2.84 0.112	26.75 (1.053)
13-04	34.90 (1.374)	0.8750	M18 x 1.0	M25 x 1.0	38.10 (1.500)		31.75 (1.250)
15-06	38.10 (1.500)	1.0000	M22 x 1.0	M28 x 1.0	41.30 (1.626)		35.74 (1.407)
17-08	41.30 (1.626)	1.1875	M25 x 1.0	M32 x 1.0	44.50 (1.752)		36.75 (1.447)
19-12	46.00 (1.811)	1.2500	M28 x 1.0	M35 x 1.0	49.20 (1.937)	3.61 0.143	40.74 (1.604)
21-16	49.20 (1.937)	1.3750	M31 x 1.0	M38 x 1.0	52.40 (2.063)		45.75 (1.801)
23-24	52.40 (2.063)	1.5000	M34 x 1.0	M41 x 1.0	55.60 (2.189)		49.76 (1.959)
25-32	55.60 (2.189)	1.6250	M37 x 1.0	M44 x 1.0	58.70 (2.311)		50.98 (2.007)

Insert Arrangements





Part Numbering/Ordering Information

MC801 6 - K - 11-02 S N

Product Family — MC801

Shell Style — 6

- 0** Square Flange Receptacle
- 6** Plug
- 7** Jam Nut Receptacle

Shell Material and Finish — K

- B** Aluminum Bronze, Unplated
- C** Composite, Cadmium Plated
- D** Composite, Zinc Nickel Plated
- F** Aluminum, Nickel Plated
- K** Stainless Steel, Passivated
- N** Composite, Nickel Plated
- W** Aluminum, Cadmium Plated
- Z** Aluminum, Zinc Nickel Plated

Insert (Shell Size — Number of Fibers) — 11-02

11-02, 13-04, 15-06, 17-08, 19-12, 21-16, 23-24, 25-32

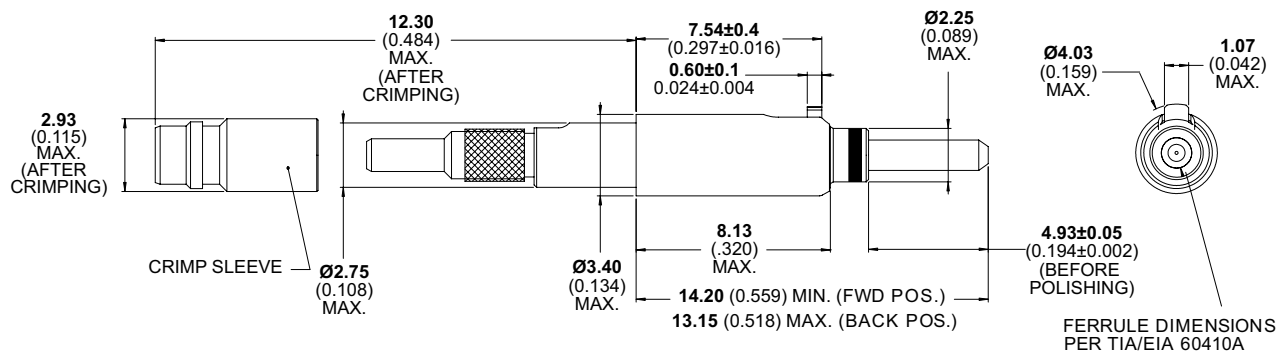
Alignment Style — S

- P** "Pin" — No Alignment Insert
- S** "Socket" — With Removable Alignment Insert

Keying — N

- N** Normal
- A, B, C, D, E**

ARINC 801 Termini



Fiber Type	Part No.			
	Tight Jacket		Loose Jacket	
	1.8 mm Cable	900 μ m Buffer Cable	1.8 mm Cable	900 μ m Buffer Cable
Single Mode	459266-126S-02-1	459266-126S-00-1	459265-126S-02-1	459265-126S-00-1
Single Mode, APC	459266-125A-02-1	459266-125A-00-1	459265-125A-02-1	459265-125A-00-1
Multimode	459266-126M-02-1	459266-126M-00-1	459265-126M-02-1	459265-126M-00-1

Note: Customer drawings, models, additional product information, and instruction sheets are available at te.com.

LET'S CONNECT

We make it easy to connect with our experts and are ready to provide all the support you need. Just call your local support number or visit www.te.com/industrial to chat with a Product Information Specialist.

Technical Support

te.com/support-center

North America	+1 800 522 6752	Asia Pacific	+86 400 820 6015
North America (Toll)	+1 717 986 7777	Japan	044 844 8180
EMEA/South Africa	+800 0440 5100	Australia	+61 2 9554 2695
EMEA (Toll)	+31 73 624 6999	New Zealand	+64 (0) 9 634 4580
India (Toll-Free)	+800 440 5100		

te.com/mc801

TE, TE Connectivity, TE Connectivity (logo) and Every Connection Counts are trademarks. All other logos, products and/or company names referred to herein might be trademarks of their respective owners.

The information given herein, including drawings, illustrations and schematics which are intended for illustration purposes only, is believed to be reliable. However, TE Connectivity makes no warranties as to its accuracy or completeness and disclaims any liability in connection with its use. TE Connectivity's obligations shall only be as set forth in TE Connectivity's Standard Terms and Conditions of Sale for this product and in no case will TE Connectivity be liable for any incidental, indirect or consequential damages arising out of the sale, resale, use or misuse of the product. Users of TE Connectivity products should make their own evaluation to determine the suitability of each such product for the specific application.

© 2016 TE Connectivity Ltd. family of companies All Rights Reserved.

1-1773875-4 02/16 Original