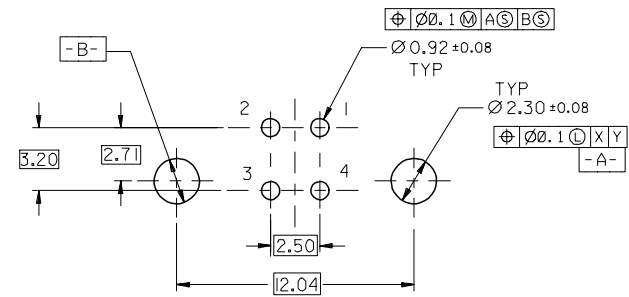
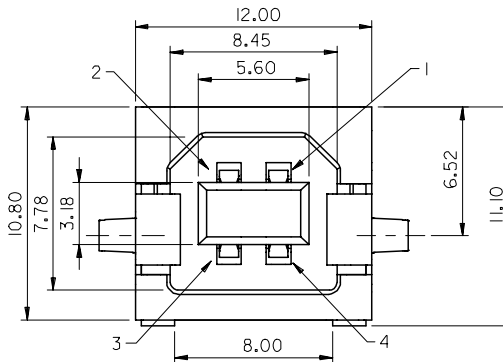
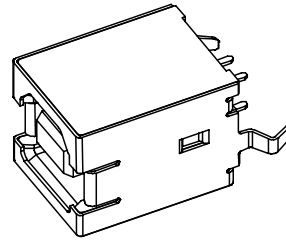
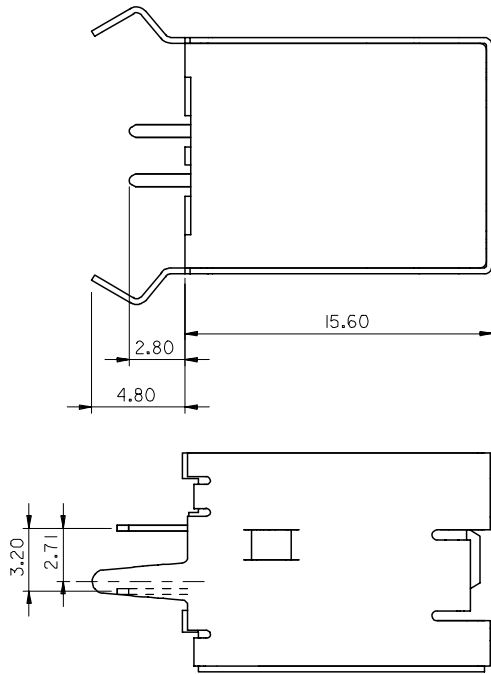


NOT FOR IR REFLOW PROCESS



RECOMMENDED PCB LAYOUT

NOTES :

1. MATERIAL :
 - HOUSING : HIGH TEMP. NYLON , GLASS FIBRE FILLED, UL94-V0 , COLOR:BLACK
 - POLYESTER , GLASS FIBRE FILLED, UL94-V0 , COLOR: WHITE
 - TERMINAL : PHOSPHOR BRONZE
 - METAL SHELL : COPPER ALLOY
2. PLATING :
 - TERMINAL :
 - CONTACT AREA : (a) GOLD FLASH.
 - (b) GOLD (Au), THICKNESS = 30 MICROINCH MINIMUM.
 - /0.76 MICROMETER MINIMUM.
 - SOLDER TAIL : (a) TIN-LEAD(Sn-Pb)ALLOY, THICKNESS= 150 MICROINCH MINIMUM . /3.8 MICROMETER MINIMUM.
 - (b) PURE TIN PLATING THICKNESS= 50 MICROINCH MINIMUM /1.27 MICROMETER MINIMUM.
 - UNDER PLATE : NICKEL (Ni), THICKNESS= 50 MICROINCH MINIMUM. /1.27 MICROMETER MINIMUM.
 - METAL SHELL :
 - (a) TIN-LEAD (Sn-Pb) ALLOY, THICKNESS= 100 MICROINCH MINIMUM. /2.54 MICROMETER MINIMUM.
 - (b) PURE TIN PLATING, THICKNESS= 50 MICROINCH MINIMUM /1.27 MICROMETER.
 - UNDER PLATE : NICKEL (Ni), THICKNESS= 50 MICROINCH MINIMUM. /1.27 MICROMETER MINIMUM.
- 3 RECOMMENDED PCB THICKNESS : 1.60±0.05 mm
- 4 PRODUCT SPECIFICATION : REFER TO PS-67998-0000

PART NUMBER LEGEND:

P/N	COLOR	CONTACT PLATING	SHELL AND SOLDER TAIL PLATING
67171-0000	BLACK	GOLD FLASH	TIN-LEAD PLATING
67171-0001	BLACK	0.76 MICROMETER/ 30 MICROINCH GOLD	
67171-2000	BLACK	GOLD FLASH	PURE TIN PLATING (LEAD-FREE)
67171-2001	BLACK	0.76 MICROMETER/ 30 MICROINCH GOLD	
67171-3000	WHITE	GOLD FLASH	
67171-3001	WHITE	0.76 MICROMETER/ 30 MICROINCH GOLD	

DELETE NON ROHS PRODUCTS EC NO: SH2006-0759 DRWN:FYANG05 CHKD:HWANG APPR: JNCHEN	2006/10/26 2006/10/28 2006/11/14	DESCRIPTION REV	QUALITY SYMBOLS	GENERAL TOLERANCES (UNLESS SPECIFIED)	DIMENSION STYLE	SCALE	DESIGN UNITS	THIRD ANGLE PROJECTION
			$\nabla=0$ $\triangle=0$	mm INCH	MM ONLY	4:1	METRIC	
			4 PLACES ± --- ± --- 3 PLACES ± --- ± --- 2 PLACES ± 0.25 ± --- 1 PLACE ± 0.25 ± --- ANGULAR ± 3 °	DRAWN BY: VL IN DATE: 1998/05/06 CHECKED BY: DATE: 1998/05/06 APPROVED BY: MEGA LIN DATE: 1998/05/06	TITLE	4:1	METRIC	USB B VERTICAL CONNECTOR
			DRAFT WHERE APPLICABLE MUST REMAIN WITHIN DIMENSIONS	MATERIAL NO. SEE CHART	MOLEX INCORPORATED DOCUMENT NO. SD-67171-001 SHEET NO. 1 OF 1	THIS DRAWING CONTAINS INFORMATION THAT IS PROPRIETARY TO MOLEX INCORPORATED AND SHOULD NOT BE USED WITHOUT WRITTEN PERMISSION		