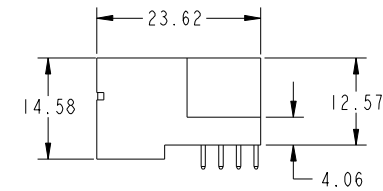
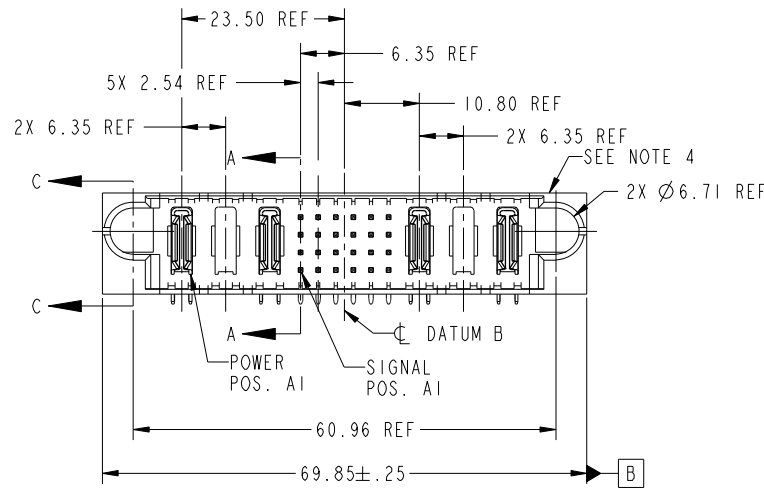


Tous droits strictement réservés. Reproduction ou communication a des tiers interdite sous quelque forme que ce soit sans autorisation écrite du propriétaire. Propriété de c FCI. Droits de reproduction FCI.



All rights strictly reserved. Reproduction or issue to third parties in any form whatever is not permitted without written authority from the proprietor. Property of FCI. Copyright FCI.

PRODUCT NO.	ROWS	PWR			SIGNAL						PWR			E2	
		E1	P1	P2	P3	1	2	3	4	5	6	P4	P5		P6
51730-133-- NOTE 3	D C B A														



CODE	DIM "M" MATING LENGTH	CONTACT TYPE
U	[6.86]	SIGNAL
T	[6.86]	SIGNAL
S	[6.86]	SIGNAL
R	[6.86]	SIGNAL
PA	[N/A]	POWER
X	OMITTED	

mat'l code				SEE NOTE		tolerances unless otherwise specified		CUSTOMER		FCI	
ltr	ecn no.	dr	date	linear	0.X ±0.3	projection		COPY		www.fciconnect.com	
A	DG07-0152	JMG	04/17/07	angles	0.XX ±0.13	MIM		title		3P + 24S + 3P	
				enr	0.XXX ±0.051	scale		product family		PwrBlade	
				chr	0° ±2°	1:1		size		code	
				appd	JM GUO 04/17/07			dwg no		213	
					RYAN YUAN 04/17/07			51730-133		sheet	
					GARY HSIEH 04/17/07			1 of 4			
					JOSEPH HSIA 04/17/07						
sheet index	revision sheet	A	A	A	A						
		1	2	3	4						

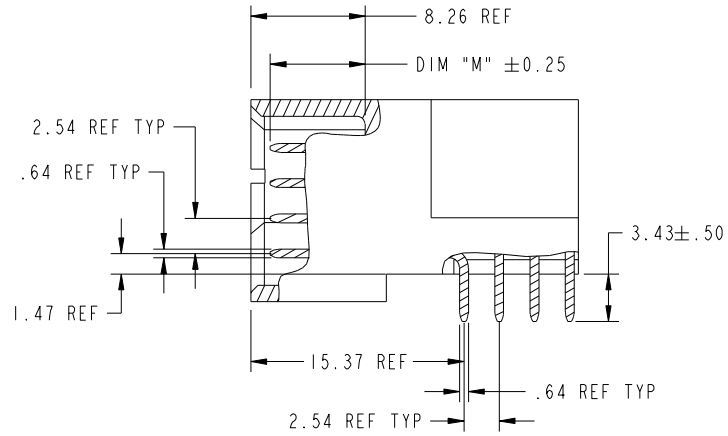
cage code		22526	
-----------	--	-------	--

Tous droits strictement reserves. Reproduction ou communication a des tiers interdite sous quelque forme que ce soit sans autorisation écrite du propriétaire. Propriete de c FCI. Droits de reproduction FCI.

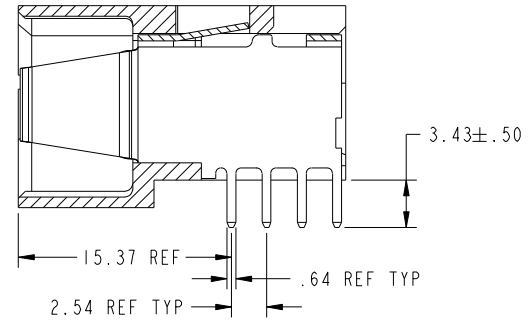
All rights strictly reserved. Reproduction or issue to third parties in any form whatever is not permitted without written authority from the proprietor. Property of FCI. Copyright FCI.



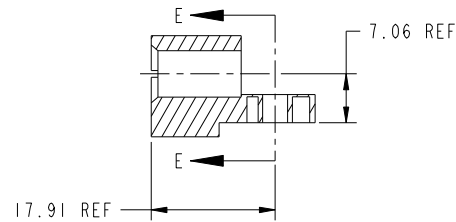
PRODUCT NUMBER
51730-133_
NOTE: 3



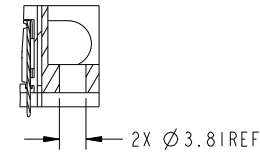
BROKEN-OUT SECTION A-A
SCALE 2:1



SECTION B-B
SCALE 2:1



SECTION C-C



PARTIAL SECTION E-E

mat'l code				SEE NOTE		tolerances unless otherwise specified		CUSTOMER		FCI	
ltr	ecn no.	dr	date	linear	0.X ± 0.3	projection		COPY		www.fciconnect.com	
A					0.XX ± 0.13	⊕		title		3P + 24S + 3P	
				angles	0.XXX ± 0.051	MIM		product family		PwrBlade	
				dr	0° ± 2°	scale		size		code	
				enr	JM GUO 04/17/07	1:1		dwg no		213	
				chr	RYAN YUAN 04/17/07			A		sheet	
				appd	GARY HSIEH 04/17/07			51730-133		2 of 4	
					JOSEPH HSIA 04/17/07						
sheet index		revision sheet									

cage code 22526

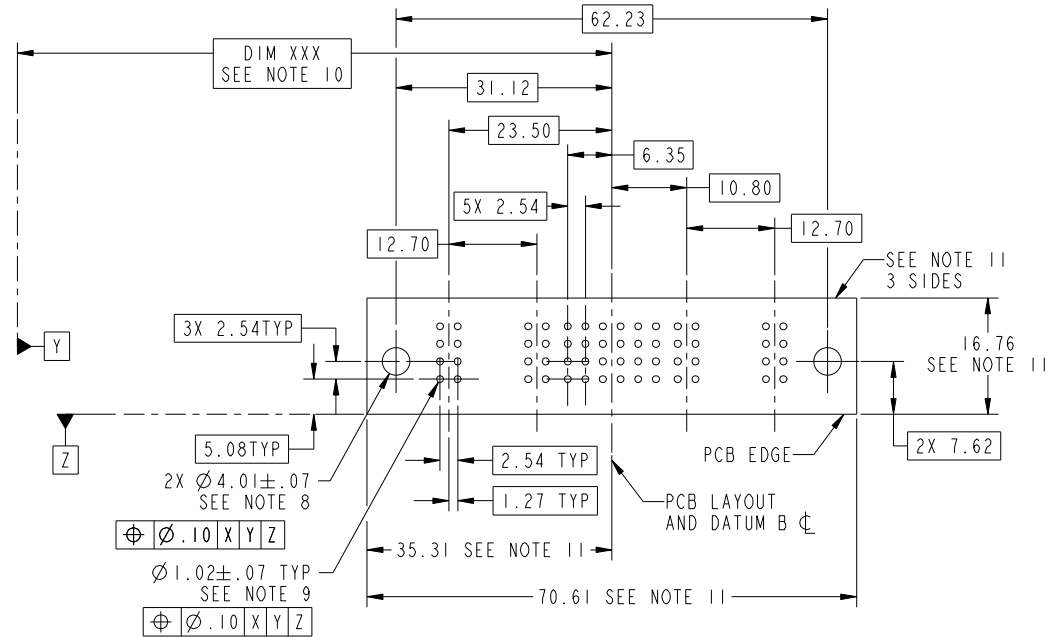
Pro/E

Tous droits strictement reserves. Reproduction ou communication a des tiers interdite sous quelque forme que ce soit sans autorisation écrite du propriétaire. Propriete de c FCI. Droits de reproduction FCI.



All rights strictly reserved. Reproduction or issue to third parties in any form whatever is not permitted without written authority from the proprietor. Property of FCI. Copyright FCI.

PRODUCT NUMBER
51730-133_
NOTE: 3



RECOMMENDED PCB LAYOUT

mat'l code				SEE NOTE		tolerances unless otherwise specified		CUSTOMER		FCI	
ltr	ecn no.	dr	date	linear	0.X ± 0.3	COPY		www.fciconnect.com		title	
A					0.XX ± 0.13	projection		3P + 24S + 3P		RIGHT ANGLE SOLDER HEADER	
				angles	0.XXX ± 0.051			product family		PwrBlade	code
				dr	JM GUO 04/17/07	MIM		size		dwg no	213
				enrg	RYAN YUAN 04/17/07			scale		51730-133	sheet
				chr	GARY HSIEH 04/17/07	1:1		A		3 of 4	
				appd	JOSEPH HSIA 04/17/07						
sheet index		revision sheet									

cage code 22526

Pro/E

Tous droits strictement reserves. Reproduction ou communication a des tiers interdite sous quelque forme que ce soit sans autorisation écrite du propriétaire. Propriete de c FCI. Droits de reproduction FCI.



All rights strictly reserved. Reproduction or issue to third parties in any form whatever is not permitted without written authority from the proprietor. Property of FCI. Copyright FCI.

PRODUCT NUMBER
51730-133--
NOTE: 3

NOTES:

1. DIMENSIONS AND TOLERANCES ARE IN ACCORDANCE WITH ASME Y14.5M, 1994 UNLESS OTHERWISE SPECIFIED.

CONNECTOR NOTES:

- 2. HOUSING MATERIAL: UL 94 V-0 GLASS FILLED HIGH-TEMP THERMOPLASTIC
POWER CONTACT MATERIAL: COPPER ALLOY
SIGNAL PIN MATERIAL: COPPER ALLOY
- 3. 51730-133; 51730-133LF PLATING SPEC. SEE PRINT:10064183
- 4. MANUFACTURER'S NAME, P/N, AND DATE CODE TO APPEAR ON THIS SURFACE.
- 5. PRODUCT SPECIFICATION GS-12-149.
APPLICATION SPECIFICATION BUS-20-067.
- 6. PACKAGED IN TRAYS.

PCB NOTES:

- 7. ALL HOLE DIAMETERS ARE FINISHED HOLE SIZE.
- 8. MOUNTING HOLES, WHERE APPLICABLE, ARE UNPLATED.
- 9. $\varnothing 1.151 \pm 0.025$ DRILLED HOLES PLATED WITH 0.008 MIN SnPb OR Sn OVER 0.03 TO 0.08 Cu PLATING TO ACHIEVE $\varnothing 1.02 \pm .07$ HOLE.
- 10. "DIM XXX" TO BE DETERMINED BY THE CUSTOMER.
- 11. CONNECTOR KEEP-OUT ZONE.

mat'l code				SEE NOTE	tolerances unless otherwise specified	CUSTOMER	FCI www.fciconnect.com	
ltr	ecn no.	dr	date	linear	0.X ± 0.3	COPY	title	
A					0.XX ± 0.13	projection	3P + 24S + 3P RIGHT ANGLE SOLDER HEADER	
				angles	0.XXX ± 0.051		product family PwrBlade code	
				dr	0° ± 2°	MIM	size	213
				enr	JM GUO 04/17/07	← MIM →	dwg no	4 of 4
				chr	RYAN YUAN 04/17/07	scale	51730-133	
				appd	GARY HSIEH 04/17/07	1:1	sheet	
					JOSEPH HSIA 04/17/07		4 of 4	
sheet index	revision sheet							

cage code 22526

Pro/E