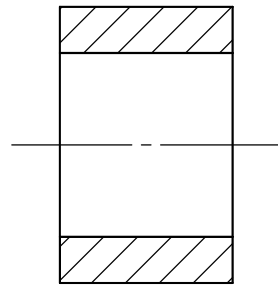
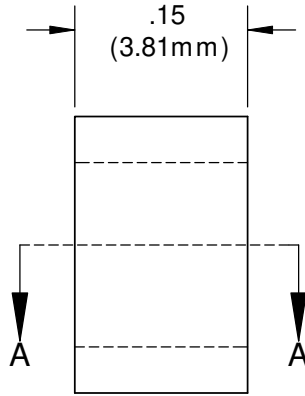
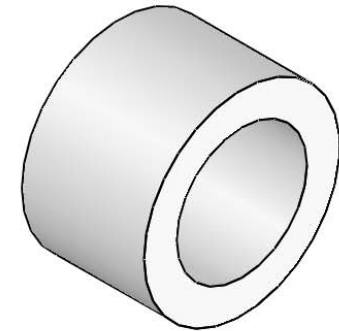
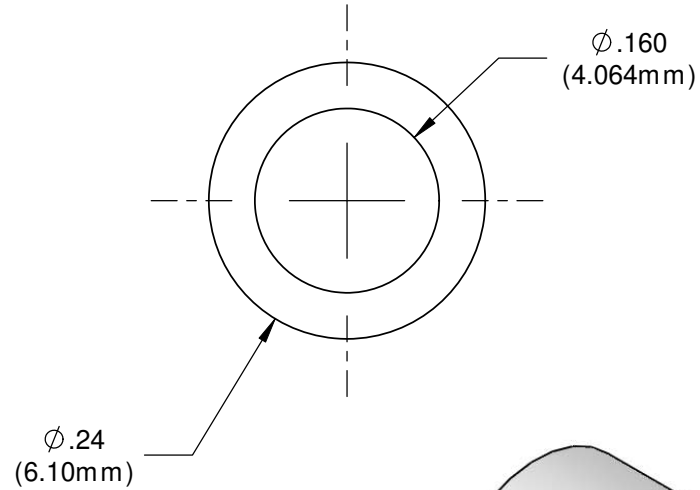


NOTES:  
 1) U.S & Foreign Pat. Issued & Pend.

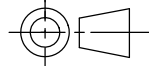
REVISIONS				
ECN #	REV	DESCRIPTION	DATE	INITIALS
	N/A	INITIAL RELEASE	6/16/99	JS
	001	REVISED PER ECR11109AZ01	2/1/10	KH
145	002	CHANGE IN MATERIAL	7/12/10	KH



SECTION A-A



ISOMETRIC VIEW

<small>UNLESS OTHERWISE SPECIFIED          DIMENSIONS ARE IN INCHES:          ANGLES DECIMALS  <math>\pm 1'</math> .X <math>\pm .020</math>          .XX <math>\pm .010</math>          FINISH .XXX <math>\pm .005</math>          BREAK ALL CORNERS AND SHARP          EDGES .050 MAX</small>	<b>MATERIAL</b>  TPE, BLACK		<b>VISUAL COMMUNICATIONS COMPANY</b> 190 Bosstick Boulevard, Suite 101 San Marcos, CA 92069 USA Phone (760) 560-1300 Fax (760) 560-1301 email vccsales@vcclite.com	
	<b>FINISH</b>  SEE NOTES		<b>TITLE:</b> CLIPLITE RTN 150	
 THIRD ANGLE PROJECTION	<b>APPROVALS</b>	<b>DATE</b>	<b>SIZE</b> <b>A</b>	<b>DWG. NO.</b> RTN 150
	DRAWN K.HOWARD	2/1/10	CHECKED DPZ	2/22/10
PROPRIETARY AND CONFIDENTIAL <small>THE INFORMATION CONTAINED IN THIS          DRAWING IS THE SOLE PROPERTY OF          VISUAL COMMUNICATIONS COMPANY, INC.          ANY REPRODUCTION IN PART OR AS A          WHOLE WITHOUT THE WRITTEN PERMISSION          OF VISUAL COMMUNICATIONS COMPANY, INC.          IS PROHIBITED.</small>			DO NOT SCALE DRAWING	
			SCALE: 6:1	
			SHEET 1 OF 1	