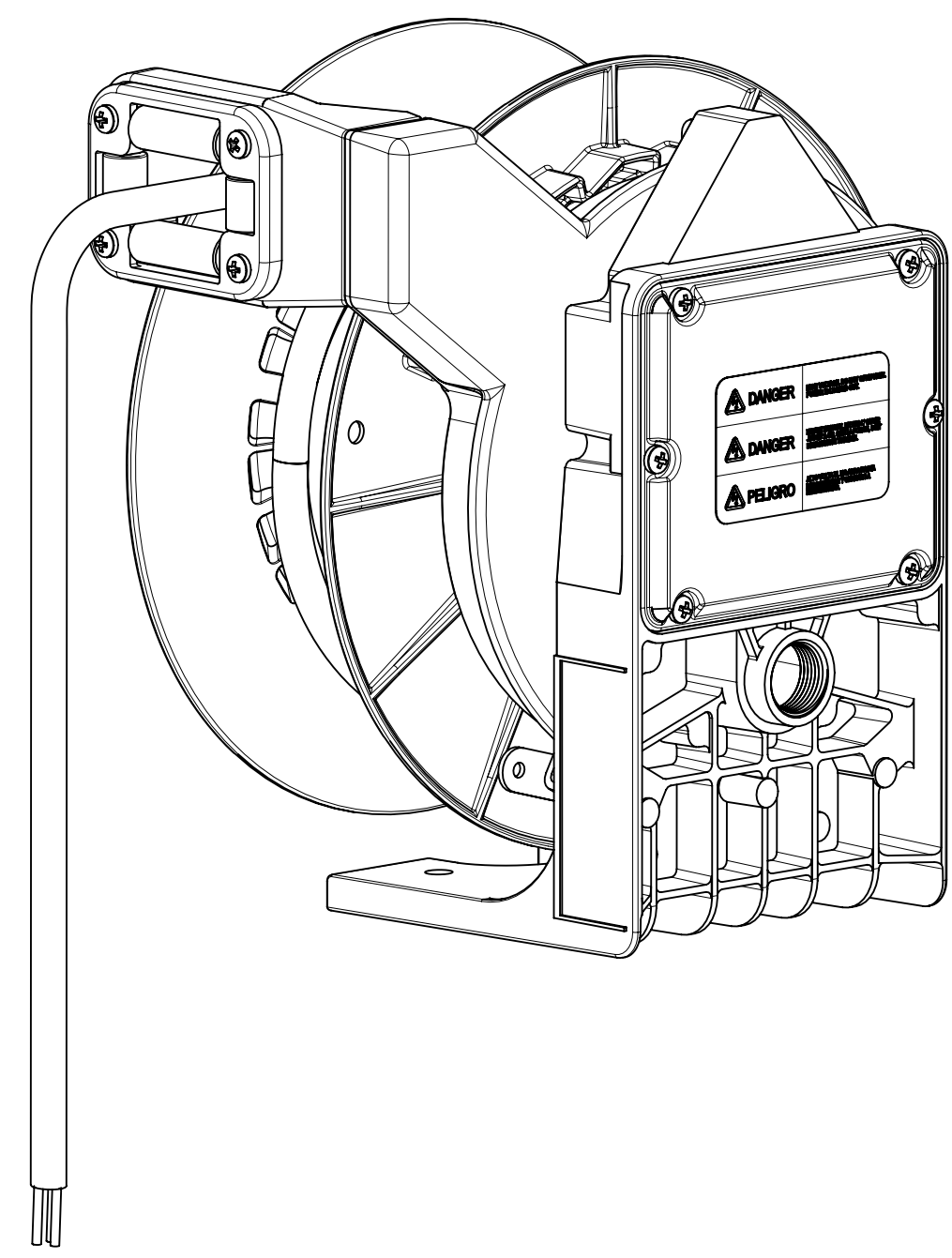
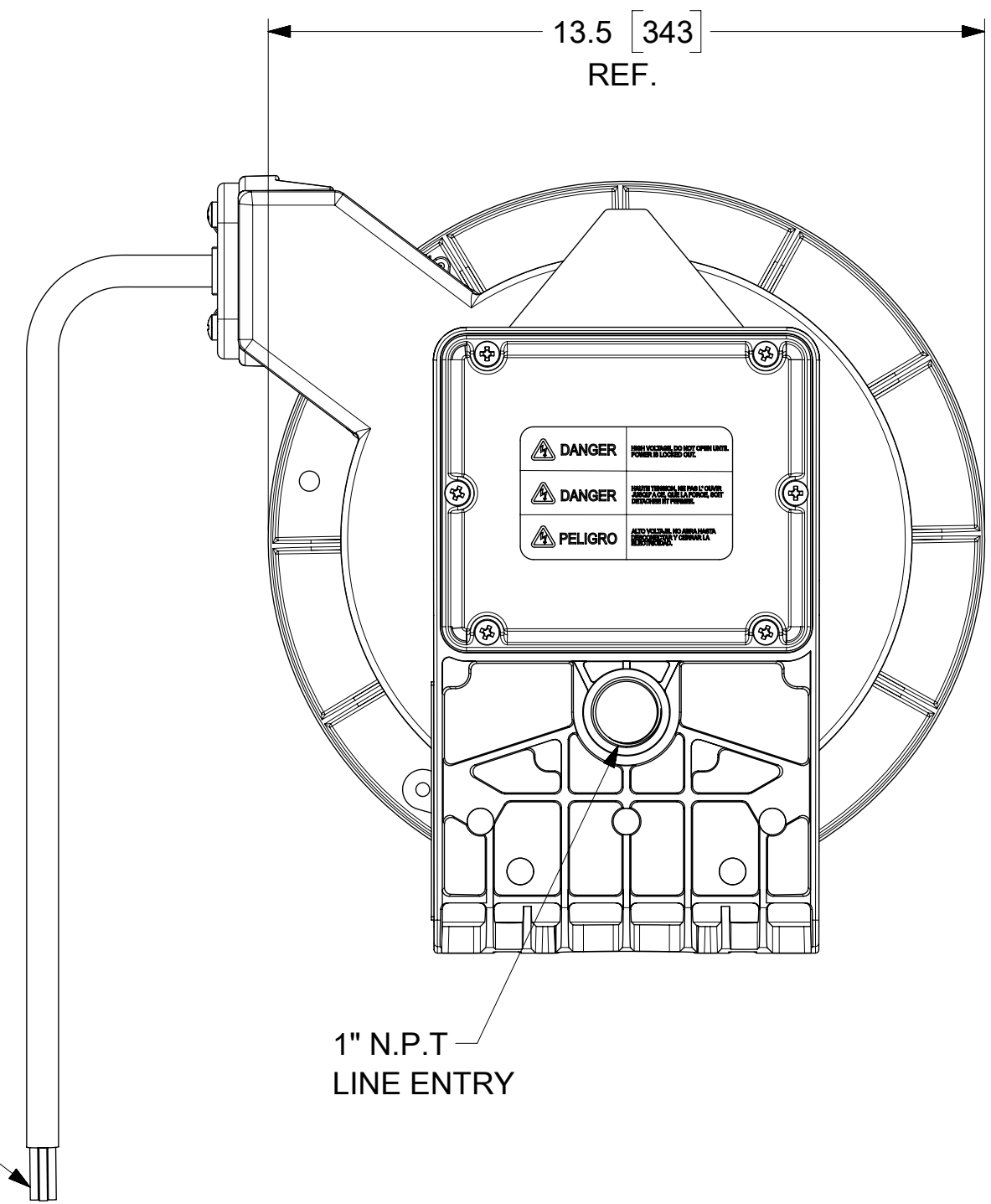
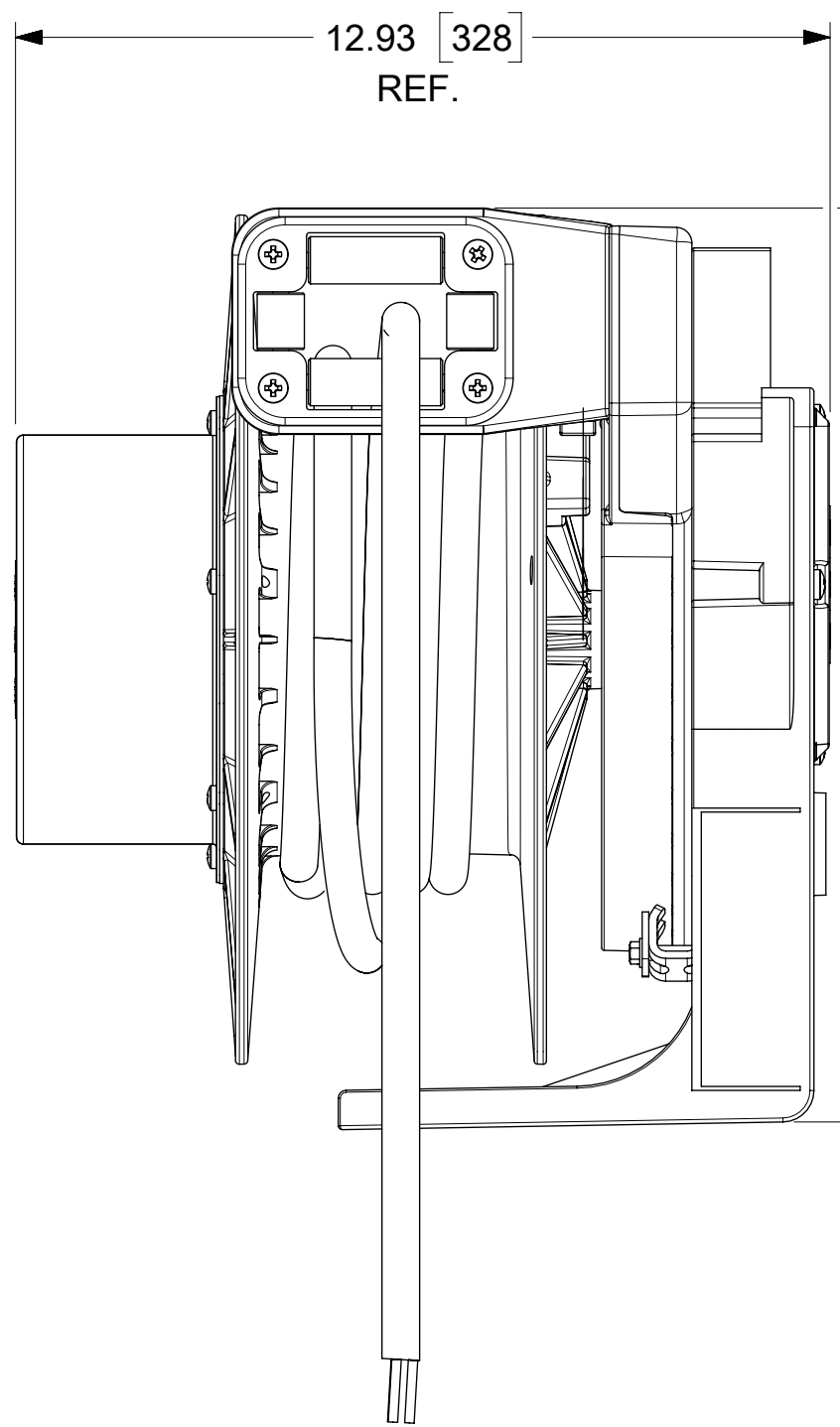
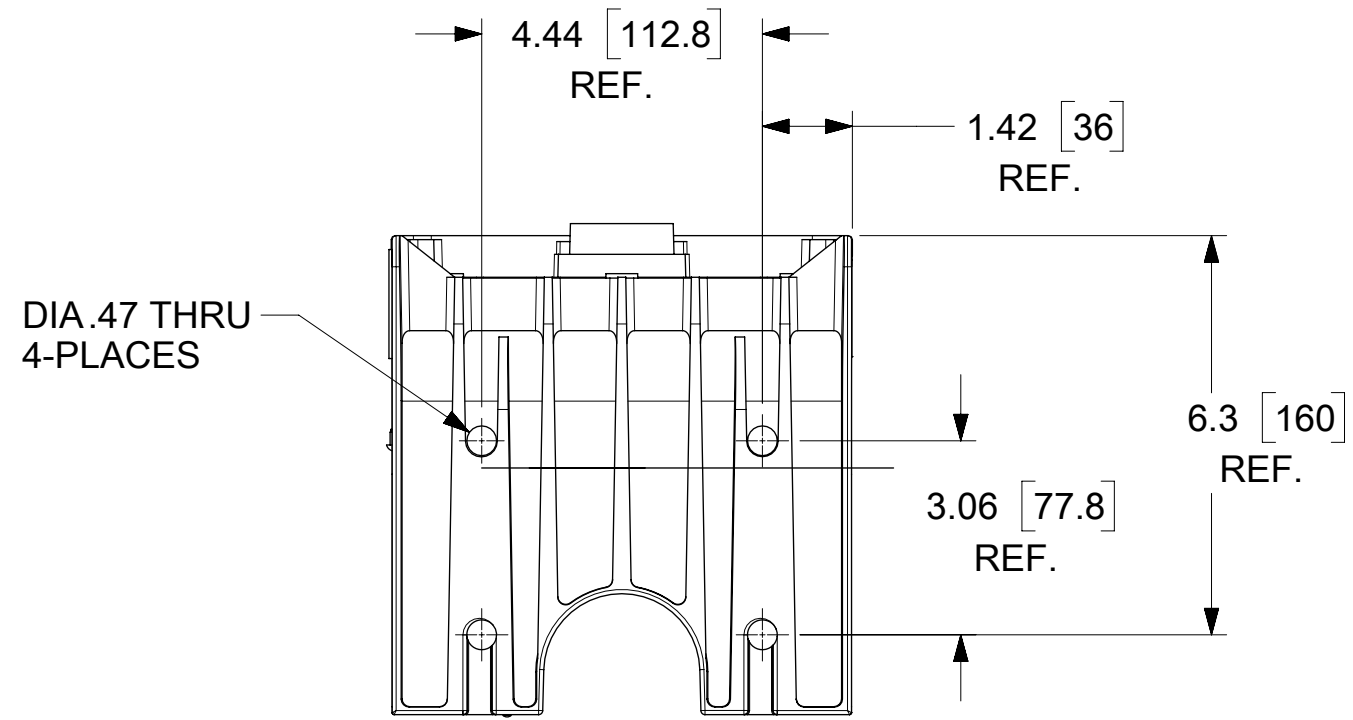


ORDER NO	130083-0231
WOODHEAD ENG. NO	92411
WIRE GAUGE	16
CONDUCTORS	12
AMPERAGE	5A
WORKING CORD	30 FT. BLACK
CORD TYPE	SOOW
CONSTRUCTION	HEAVY WALL CAST ALUMINUM
PAINT	YELLOW POWDER COAT
REEL ENCLOSURE RATING	NEMA 4 INDOOR / OUTDOOR
RETRACTION WEIGHT	4.0 LB [1.8 KG]



FLYING LEAD



BOTTOM VIEW

- NOTES:**
1. CABLE GUIDE IS ADJUSTABLE EVERY 5 DEGREES OVER 270 DEGREE ARC.
 2. RATCHET LOCK IS EASY TO DISENGAGE FOR CONSTANT TENSION.
 3. REEL CANNOT BE "LOCKED OUT" AT FULL EXTENSION.

FUNCTIONAL SYMBOLS	THIS DRAWING CONTAINS INFORMATION THAT IS PROPRIETARY TO MOLEX ELECTRONIC TECHNOLOGIES, LLC AND SHOULD NOT BE USED WITHOUT WRITTEN PERMISSION									
	DIMENSION UNITS	SCALE		CURRENT REV DESC: RELEASE CUSTOMER DRAWING						
$\frac{F}{A} = 0$	INCH/MM	NTS								
$\frac{F}{C} = 0$	GENERAL TOLERANCES (UNLESS SPECIFIED)									
$\frac{F}{P} = 0$		MM	INCH							
DIVISIONAL SYMBOLS	4 PLACES	±	±							
	3 PLACES	±	± 0.005							
	2 PLACES	± 0.13	± 0.01							
	1 PLACE	± 0.25	± 0.02							
	0 PLACES	±	±							
	ANGULAR TOL	± 0.5 °								
DRAFT WHERE APPLICABLE MUST REMAIN WITHIN DIMENSIONS				THIRD ANGLE PROJECTION	DRAWING	SERIES	MATERIAL NUMBER	CUSTOMER	SHEET NUMBER	
					C-SIZE	130083	SEE TABLE	GENERAL MARKET	1 OF 1	