

	Date	21-Jun-2021	SPECIFICATION	OLE WOLFF
	Page	1 / 9		www.owolff.com
	CN	P/N: OWR-3507T-36A		Revision: A



APPROVAL SPECIFICATION

Receiver

Part Number	OWR-3507T-36A
Note	This item was compliance with the following requirements: 1. RoHS directive 2. REACH
Customer P/N	

Ole Wolff	Signature / Date	Prepared	Checked	Approved
		Ena Wang 2021.06.21	Nathan Chen 2021.06.21	Ryan Li 2020.06.21

Customer	Signature / Date	Confirmation		

REVISION NOTES:

Date	Rev.	Description of Revision
2021.06.21	00	Initial version

OLE WOLFF ELEKTRONIK A/S Roedengvej 25 4180 Soroe Denmark TEL: +45 57833830 FAX: +45 57820019	OLE WOLFF ELECTRONICS INC. 1525 McCarthy Blvd, Suite 1093 Milpitas, Ca 95035 USA TEL: +1 408 888 8413	OLEWOLFF ELEKTRONIK GmbH Schulstrasse 15A. DE-25451 Quickborn. Germany TEL: +49 (0) 4106 765900 FAX: +49 (0) 4106 627297	OLEWOLFF ELECTRONICS 3 Bedford Street, Woburn, Bedfordshire MK17 9QB, ENGLAND TEL: +44 (0) 1525 290755 FAX: +44 (0) 1525 290855	OLE WOLFF ELEKTRONIK Yliopistonkatu 26 (P.O.BOX 257) FI-40101 Jyväskylä Finland TEL: +358 14 338 3050 FAX: +358 14 338 3059	OLE WOLFF (ASIA) LTD. Unit B, 19/F., Bold Win Ind. Bldg., No. 16-18 Wah Sing St., Kwai Chung, N.T., H.K. TEL: +852 2424 3274 FAX: +852 2424 2219	OLE WOLFF LTD. 5 Floor, Block G, WenTao Industrial Park, YingRenShi, Bao'an District, Shenzhen City, Guangdong Province, PRC. TEL: +86 755 82612542 TEL: +86 755 26406156
---------------------------------------------------------------------------------------------------------------------	-----------------------------------------------------------------------------------------------------------------------------	------------------------------------------------------------------------------------------------------------------------------------------------	-------------------------------------------------------------------------------------------------------------------------------------------------------	------------------------------------------------------------------------------------------------------------------------------------------------------	------------------------------------------------------------------------------------------------------------------------------------------------------------------------	-------------------------------------------------------------------------------------------------------------------------------------------------------------------------------------------------

	Date	21-Jun-2021	SPECIFICATION	OLE WOLFF
	Page	2 / 9		www.owolff.com
	CN	P/N: OWR-3507T-36A		Revision: A

1. SCOPE

THIS SPECIFICATION IS APPLIED FOR A DYNAMIC RECEIVER FOR HEADPHONE.

2. TEST CONDITIONS

TEMPERATURE : 24°C ~ 27°C

HUMIDITY : 60% ~ 70% (R.H.)

ATMOSPHERE : 860 ~ 1060 hPa

3. GENERAL REQUIREMENTS

OPERATING TEMPERATURE RANGE: -25° C ~ 60° C

STORAGE TEMPERATUR RANGE: -30° C ~ 70° C

4. MECANICAL LAYOUT & DIMENSIONS

DIMENSIONS : SHOWN IN FIGURE.5

NET WEIGHT: 12.3g+/-10%

5. ELECTRICAL AND ACOUSTICAL CHARACTERISTICS

1	Impedance on IEC 318	36Ω ± 15% at 2kHz
2	Sound Pressure Level on IEC318	117±3 dB at 1000Hz with input 0.190V/1mW (0dB=20μPa) Measure setup as shown in Fig.1 Binning: Bin A: 120dB~118.01dB, dot mark = Red; Bin B: 118.0dB~116dB, dot mark =Blue; Bin C: 115.99dB~114dB, dot mark = Black;
3	Frequency response on IEC318	FR as shown in Fig.3. (Test input 0.190V/1mW)
4	Total Harmonic Distortion (THD) on IEC318	THD as shown in Fig.3 (Test input 0.190V/1mW)
5	Resonance frequency in free field	72Hz with input 0.6V/10mW((for reference, temperature 24 -27 °C)
6	Input Power	(Nom./Max.): 0.01W / 0.02W
7	Rub & Buzz	The input power shall be set at 0.60V. Using an audio oscillator sweep from 50 to 10kHz in the free air. There shall be no buzzes, rattles, nor spurious noises.

OLE WOLFF ELEKTRONIK A/S Roedengvej 25 4180 Soroe Denmark TEL: +45 57833830 FAX: +45 57820019	OLE WOLFF ELECTRONICS INC. 1525 McCarthy Blvd, Suite 1093 Milpitas, Ca 95035 USA TEL: +1 408 888 8413	OLEWOLFF ELEKTRONIK GmbH Schulstrasse 15A. DE-25451 Quickborn. Germany TEL: +49 (0) 4106 765900 FAX: +49 (0) 4106 627297	OLEWOLFF ELECTRONICS 3 Bedford Street, Woburn, Bedfordshire MK17 9QB, ENGLAND TEL: +44 (0) 1525 290755 FAX: +44 (0) 1525 290855	OLE WOLFF ELEKTRONIK Yliopistonkatu 26 (P.O.BOX 257) FI-40101 Jyväskylä Finland TEL: +358 14 338 3050 FAX: +358 14 338 3059	OLE WOLFF (ASIA) LTD. Unit B, 19/F, Bold Win Ind. Bldg., No. 16-18 Wah Sing St., Kwai Chung, N.T., H.K. TEL: +852 2424 3274 FAX: +852 2424 2219	OLE WOLFF LTD. 5 Floor, Block G, WenTao Industrial Park, YingRenShi, Bao'an District, Shenzhen City, Guangdong Province, PRC. TEL: +86 755 82612542 TEL: +86 755 26406156
---------------------------------------------------------------------------------------------------------------------	-----------------------------------------------------------------------------------------------------------------------------	------------------------------------------------------------------------------------------------------------------------------------------------	-------------------------------------------------------------------------------------------------------------------------------------------------------	------------------------------------------------------------------------------------------------------------------------------------------------------	-----------------------------------------------------------------------------------------------------------------------------------------------------------------------	-------------------------------------------------------------------------------------------------------------------------------------------------------------------------------------------------

	Date	21-Jun-2021	SPECIFICATION	OLE WOLFF
	Page	3 / 9		www.owolff.com
	CN	P/N: OWR-3507T-36A		Revision: A

6. Reliability Test Requirements

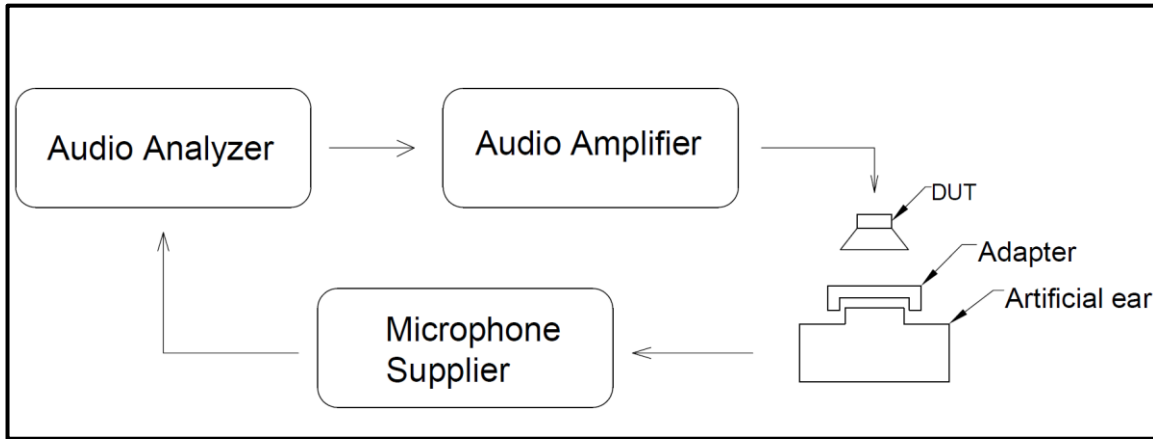
Sensitivity difference at 1000Hz shall be within $\pm 3\text{dB}$ from initial value after each test. The measurement shall be done after minimum 1hour and maximum 2 hours with conditioning of $24^\circ\text{C} \sim 27^\circ\text{C}$.			
No.	ITEMS	TEST CONDITION	
1	HIGH TEMPERATURE TEST STORAGE	Temperature	$70 \pm 3^\circ\text{C}$
		Duration	96hrs
2	LOW TEMPERATURE TEST STORAGE	Temperature	$-30 \pm 3^\circ\text{C}$
		Duration	96hrs
3	HIGH TEMPERATURE HUMIDITY TEST	Temperature	$50 \pm 3^\circ\text{C}$
		Humidity	90%--95%(RH)
		Duration	96hrs
4	DROP TEST	Height	1m to concrete with protector
		Total times	3 times
5	SLIDE TEST	Height	1m to concrete with protector
		Direction	Front, reverse, vertical
		Total times	5 times/direction
6	TEMPERATURE CYCLE TEST	Temperature	$-30 \pm 3^\circ\text{C} \leftrightarrow 70 \pm 3^\circ\text{C}$
		Duration	1hours, 5mins, 1hours
		Cycles	10cycles
7	SHORT TERM MAX INPUT TEST	Test signal and Temperature	Pink noise / 25°C
		Test input power	0.02W/0.85Vrms
		Cycles	1sec On, 1min Off, 60cycles
8	LONG TERM MAX INPUT TEST	Test signal and Temperature	Pink noise / 25°C
		Test input power	0.02W/0.85Vrms
		Cycles	1min On/ 2min Off, 10 cycles
9	RATED POWER TEST	Test signal and Temperature	Pink Noise / 25°C
		Test input power	0.01W/0.6Vrms
		Duration	96hrs

OLE WOLFF ELEKTRONIK A/S Roedengvej 25 4180 Soroe Denmark TEL: +45 57833830 FAX: +45 57820019	OLE WOLFF ELECTRONICS INC. 1525 McCarthy Blvd, Suite 1093 Milpitas, Ca 95035 USA TEL: +1 408 888 8413	OLEWOLFF ELEKTRONIK GmbH Schulstrasse 15A. DE-25451 Quickborn. Germany TEL: +49 (0) 4106 765900 FAX: +49 (0) 4106 627297	OLEWOLFF ELECTRONICS 3 Bedford Street, Woburn, Bedfordshire MK17 9QB, ENGLAND TEL: +44 (0) 1525 290755 FAX: +44 (0) 1525 290855	OLE WOLFF ELEKTRONIK Yliopistonkatu 26 (P.O.BOX 257) FI-40101 Jyväskylä Finland TEL: +358 14 338 3050 FAX: +358 14 338 3059	OLE WOLFF (ASIA) LTD. Unit B, 19/F, Bold Win Ind. Bldg., No. 16-18 Wah Sing St., Kwai Chung, N.T., H.K. TEL: +852 2424 3274 FAX: +852 2424 2219	OLE WOLFF LTD. 5 Floor, Block G, WenTao Industrial Park, YingRenShi, Bao'an District, Shenzhen City, Guangdong Province, PRC. TEL: +86 755 82612542 TEL: +86 755 26406156
---------------------------------------------------------------------------------------------------------------------	-----------------------------------------------------------------------------------------------------------------------------	------------------------------------------------------------------------------------------------------------------------------------------------	-------------------------------------------------------------------------------------------------------------------------------------------------------	------------------------------------------------------------------------------------------------------------------------------------------------------	-----------------------------------------------------------------------------------------------------------------------------------------------------------------------	-------------------------------------------------------------------------------------------------------------------------------------------------------------------------------------------------

	Date	21-Jun-2021	SPECIFICATION	OLE WOLFF
	Page	4 / 9		www.owolff.com
	CN	P/N: OWR-3507T-36A		Revision: A

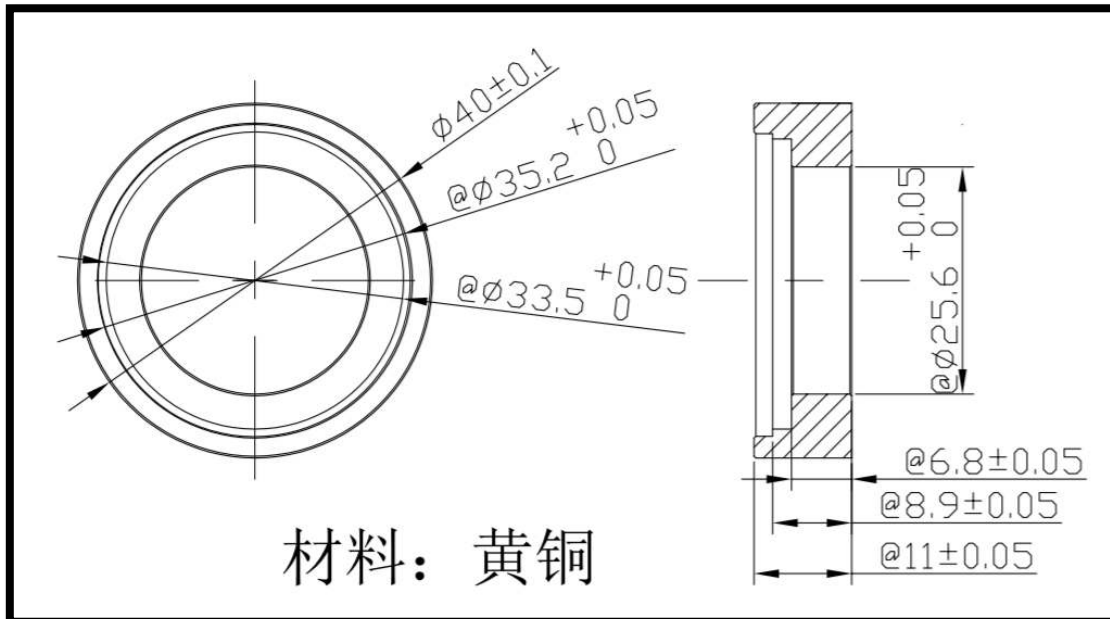
7. TEST SET UP (Fig.1)

MEASUREMENT CIRCUIT FOR DYNAMIC SPEAKER



NO	EQUIPMENT	REMARKS
1	DUT	Receiver
2	Adapter	As shown on Fig.2
3	Audio Analyzer	LISTEN SOUNDCHECK
4	Audio Amplifier	QSC GX3
5	Artificial ear	GRAS 43AA
6	Microphone supplier	GRAS 12AX

8. TEST JIG (Fig.2)

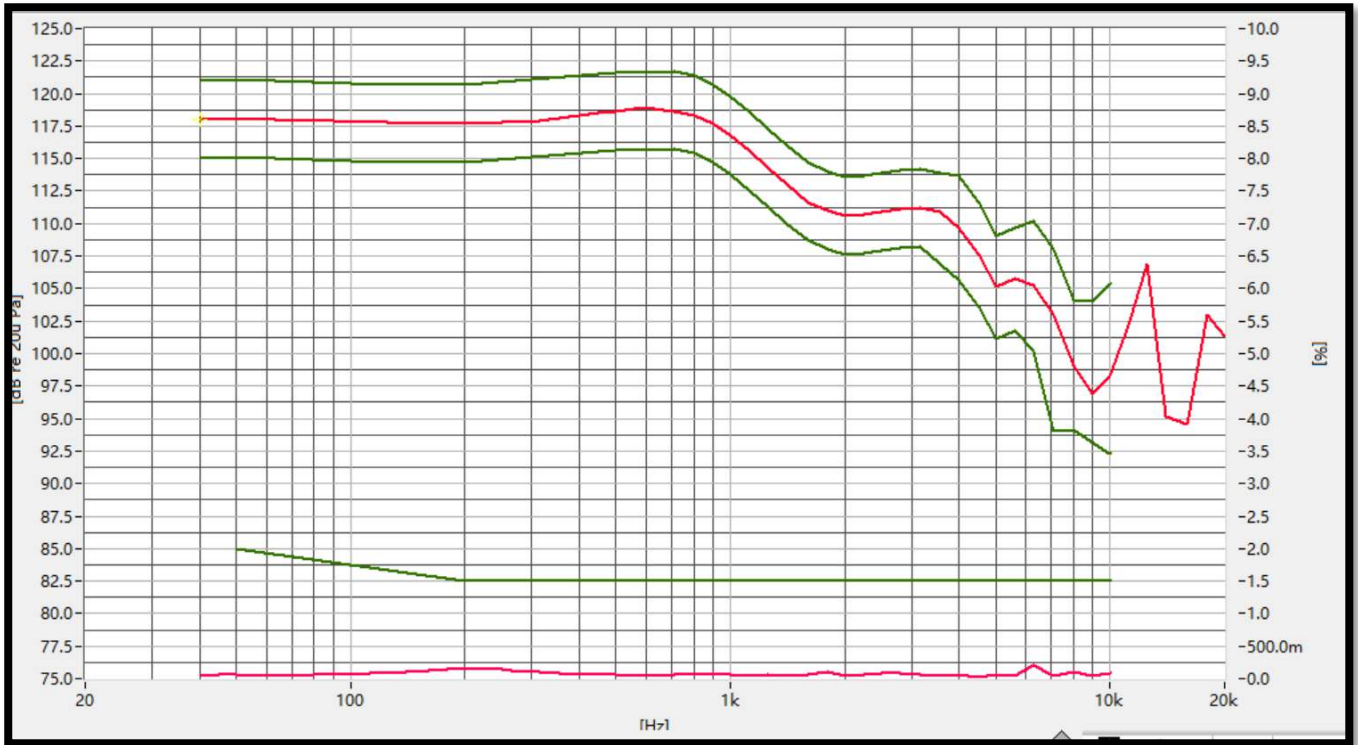


OLE WOLFF ELEKTRONIK A/S Roedengvej 25 4180 Soroe Denmark TEL: +45 57833830 FAX: +45 57820019	OLE WOLFF ELECTRONICS INC. 1525 McCarthy Blvd, Suite 1093 Milpitas, Ca 95035 USA TEL: +1 408 888 8413	OLEWOLFF ELEKTRONIK GmbH Schulstrasse 15A. DE-25451 Quickborn. Germany TEL: +49 (0) 4106 765900 FAX: +49 (0) 4106 627297	OLEWOLFF ELECTRONICS 3 Bedford Street, Woburn, Bedfordshire MK17 9QB, ENGLAND TEL: +44 (0) 1525 290755 FAX: +44 (0) 1525 290855	OLE WOLFF ELEKTRONIK Yliopistonkatu 26 (P.O.BOX 257) FI-40101 Jyväskylä Finland TEL: +358 14 338 3050 FAX: +358 14 338 3059	OLE WOLFF (ASIA) LTD. Unit B, 19/F, Bold Win Ind. Bldg., No. 16-18 Wah Sing St., Kwai Chung, N.T., H.K. TEL: +852 2424 3274 FAX: +852 2424 2219	OLE WOLFF LTD. 5 Floor, Block G, WenTao Industrial Park, YingRenShi, Bao'an District, Shenzhen City, Guangdong Province, PRC. TEL: +86 755 82612542 TEL: +86 755 26406156
-----------------------------------------------------------------------------------------------------------------	-------------------------------------------------------------------------------------------------------------------------	--------------------------------------------------------------------------------------------------------------------------------------------	---------------------------------------------------------------------------------------------------------------------------------------------------	--------------------------------------------------------------------------------------------------------------------------------------------------	-------------------------------------------------------------------------------------------------------------------------------------------------------------------	---------------------------------------------------------------------------------------------------------------------------------------------------------------------------------------------

9. Standard Frequency Response Curve & Standard THD (Fig.3)

Test input 0.190V (IEC 318) 1/6Oct. Soundcheck stimulus step size 8 min cycles and 5ms min duration.

The following tolerances are offset values. Mask is absolute value based on the golden sample offset.



FR mask

F.POINT	40	50	63	100	200	500	710	800	900	1k	1.12k	1.25k	1.4k	1.6k	Hz
Upper limit	3	3	3	3	3	3	3	3	3	3	3	3	3	3	dB
Lower limit	-3	-3	-3	-3	-3	-3	-3	-3	-3	-3	-3	-3	-3	-3	dB

F.POINT	1.8k	2k	2.24k	2.5k	2.8k	3.15k	3.55k	4k	4.5k	5k	5.6k	6.3k	7.1k	8k	Hz
Upper limit	3	3	3	3	3	3	3	3	4	4	4	4	5	5	dB
Lower limit	-3	-3	-3	-3	-3	-3	-3	-3	-4	-4	-4	-4	-5	-5	dB

F.POINT	9k	10k	
Upper limit	7	7	
Lower limit	-	-6	

THD mask

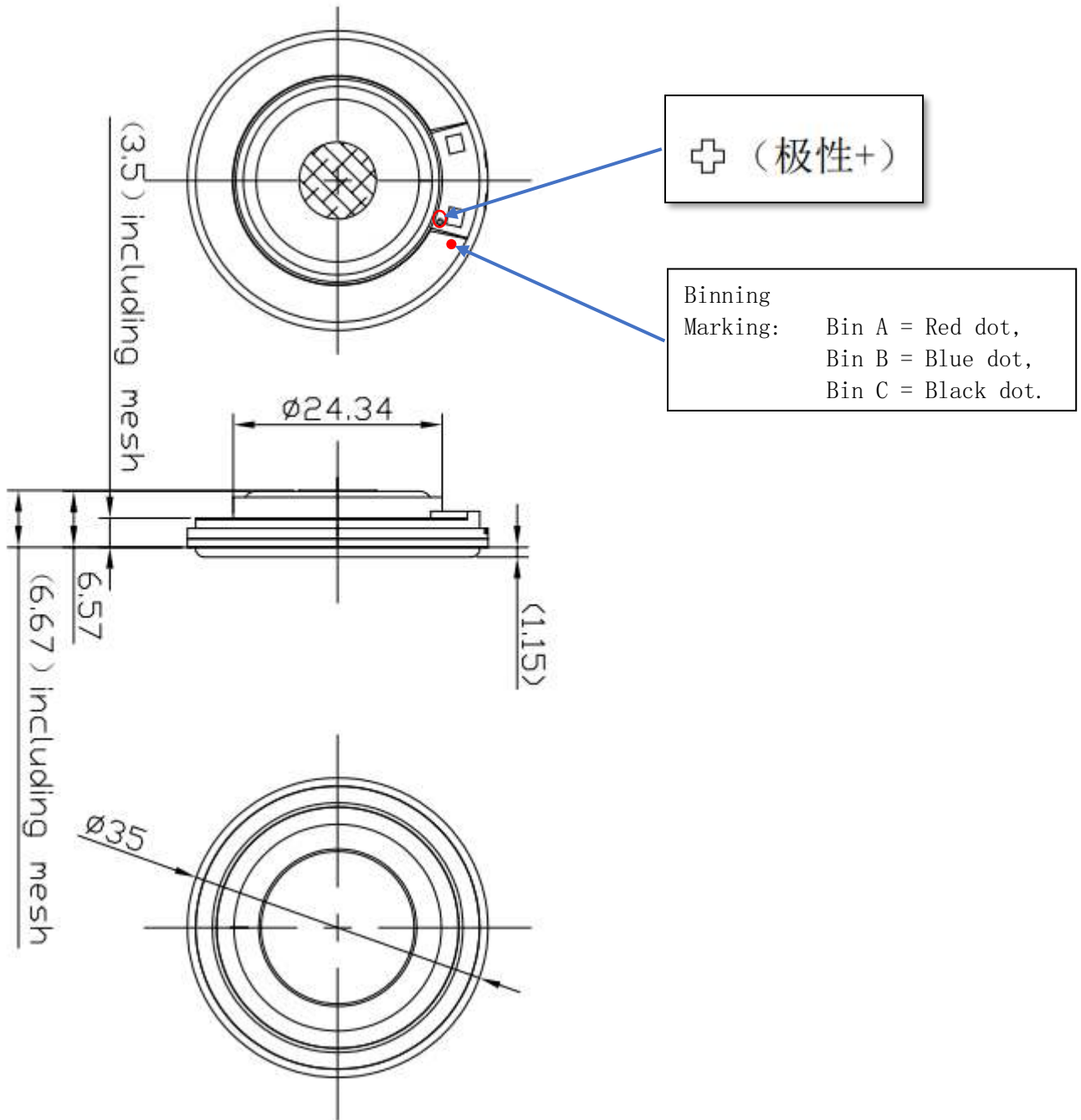
F.POINT	50	200	630	1k	1.25k	2.5k	3.15k	6.3k	8.0k	10.0k	Hz
Upper limit	2	1.3	1.3	1.3	1.3	1.3	1.3	1.3	1.3	1.3	%

	Date	21-Jun-2021	SPECIFICATION	OLE WOLFF
	Page	6 / 9		www.owolff.com
	CN	P/N: OWR-3507T-36A		Revision: A

10. DIMENSION (Fig.4)

Unit: mm

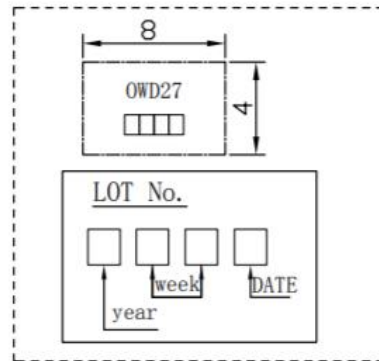
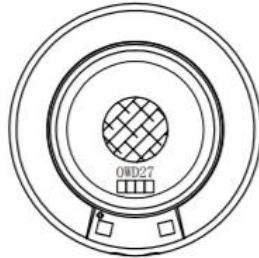
Tolerance: +/-0.2



OLE WOLFF ELEKTRONIK A/S Roedengvej 25 4180 Soroe Denmark TEL: +45 57833830 FAX: +45 57820019	OLE WOLFF ELECTRONICS INC. 1525 McCarthy Blvd, Suite 1093 Milpitas, Ca 95035 USA TEL: +1 408 888 8413	OLEWOLFF ELEKTRONIK GmbH Schulstrasse 15A. DE-25451 Quickborn. Germany TEL: +49 (0) 4106 765900 FAX: +49 (0) 4106 627297	OLEWOLFF ELECTRONICS 3 Bedford Street, Woburn, Bedfordshire MK17 9QB, ENGLAND TEL: +44 (0) 1525 290755 FAX: +44 (0) 1525 290855	OLE WOLFF ELEKTRONIK Yliopistonkatu 26 (P.O.BOX 257) FI-40101 Jyväskylä Finland TEL: +358 14 338 3050 FAX: +358 14 338 3059	OLE WOLFF (ASIA) LTD. Unit B, 19/F., Bold Win Ind. Bldg., No. 16-18 Wah Sing St., Kwai Chung, N.T., H.K. TEL: +852 2424 3274 FAX: +852 2424 2219	OLE WOLFF LTD. 5 Floor, Block G, WenTao Industrial Park, YingRenShi, Bao'an District, Shenzhen City, Guangdong Province, PRC. TEL: +86 755 82612542 TEL: +86 755 26406156
-----------------------------------------------------------------------------------------------------------------	-------------------------------------------------------------------------------------------------------------------------	--------------------------------------------------------------------------------------------------------------------------------------------	---------------------------------------------------------------------------------------------------------------------------------------------------	--------------------------------------------------------------------------------------------------------------------------------------------------	--------------------------------------------------------------------------------------------------------------------------------------------------------------------	---------------------------------------------------------------------------------------------------------------------------------------------------------------------------------------------

	Date	21-Jun-2021	SPECIFICATION	OLE WOLFF
	Page	7 / 9		www.owolff.com
	CN	P/N: OWR-3507T-36A		Revision: A

11. Marking (Fig.5)

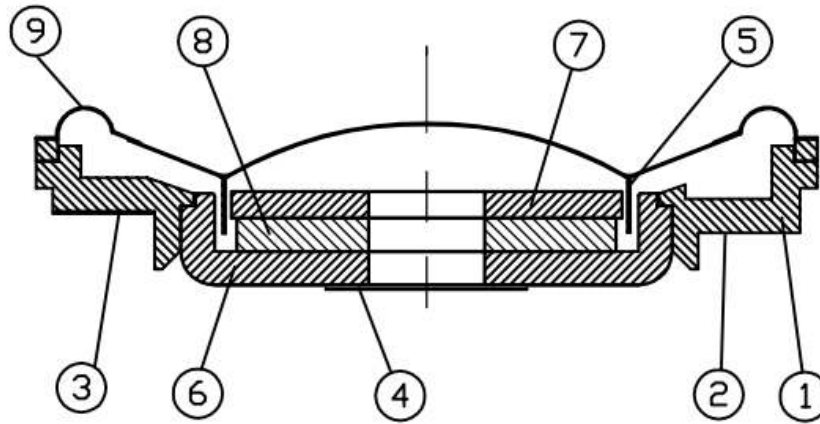


YEAR		WEEK		DATE	
year	marking	week	marking	date	marking
2020	0	1	01	MON	1
2021	1	2	02	TUE	2
2022	2	3	03	WED	3
2023	3	↓	↓	↓	↓
		52	52	SUN	7

OLE WOLFF ELEKTRONIK A/S Roedengvej 25 4180 Soroe Denmark TEL: +45 57833830 FAX: +45 57820019	OLE WOLFF ELECTRONICS INC. 1525 McCarthy Blvd, Suite 1093 Milpitas, Ca 95035 USA TEL: +1 408 888 8413	OLEWOLFF ELEKTRONIK GmbH Schulstrasse 15A. DE-25451 Quickborn. Germany TEL: +49 (0) 4106 765900 FAX: +49 (0) 4106 627297	OLEWOLFF ELECTRONICS 3 Bedford Street, Woburn, Bedfordshire MK17 9QB, ENGLAND TEL: +44 (0) 1525 290755 FAX: +44 (0) 1525 290855	OLE WOLFF ELEKTRONIK Yliopistonkatu 26 (P.O.BOX 257) FI-40101 Jyväskylä Finland TEL: +358 14 338 3050 FAX: +358 14 338 3059	OLE WOLFF (ASIA) LTD. Unit B, 19/F, Bold Win Ind. Bldg., No. 16-18 Wah Sing St., Kwai Chung, N.T., H.K. TEL: +852 2424 3274 FAX: +852 2424 2219	OLE WOLFF LTD. 5 Floor, Block G, WenTao Industrial Park, YingRenShi, Bao'an District, Shenzhen City, Guangdong Province, PRC. TEL: +86 755 82612542 TEL: +86 755 26406156
-----------------------------------------------------------------------------------------------------------------	-------------------------------------------------------------------------------------------------------------------------	--------------------------------------------------------------------------------------------------------------------------------------------	---------------------------------------------------------------------------------------------------------------------------------------------------	--------------------------------------------------------------------------------------------------------------------------------------------------	-------------------------------------------------------------------------------------------------------------------------------------------------------------------	---------------------------------------------------------------------------------------------------------------------------------------------------------------------------------------------

	Date	21-Jun-2021	SPECIFICATION	OLE WOLFF
	Page	8 / 9		www.owolff.com
	CN	P/N: OWR-3507T-36A		Revision: A

11. Material list (Fig.6)

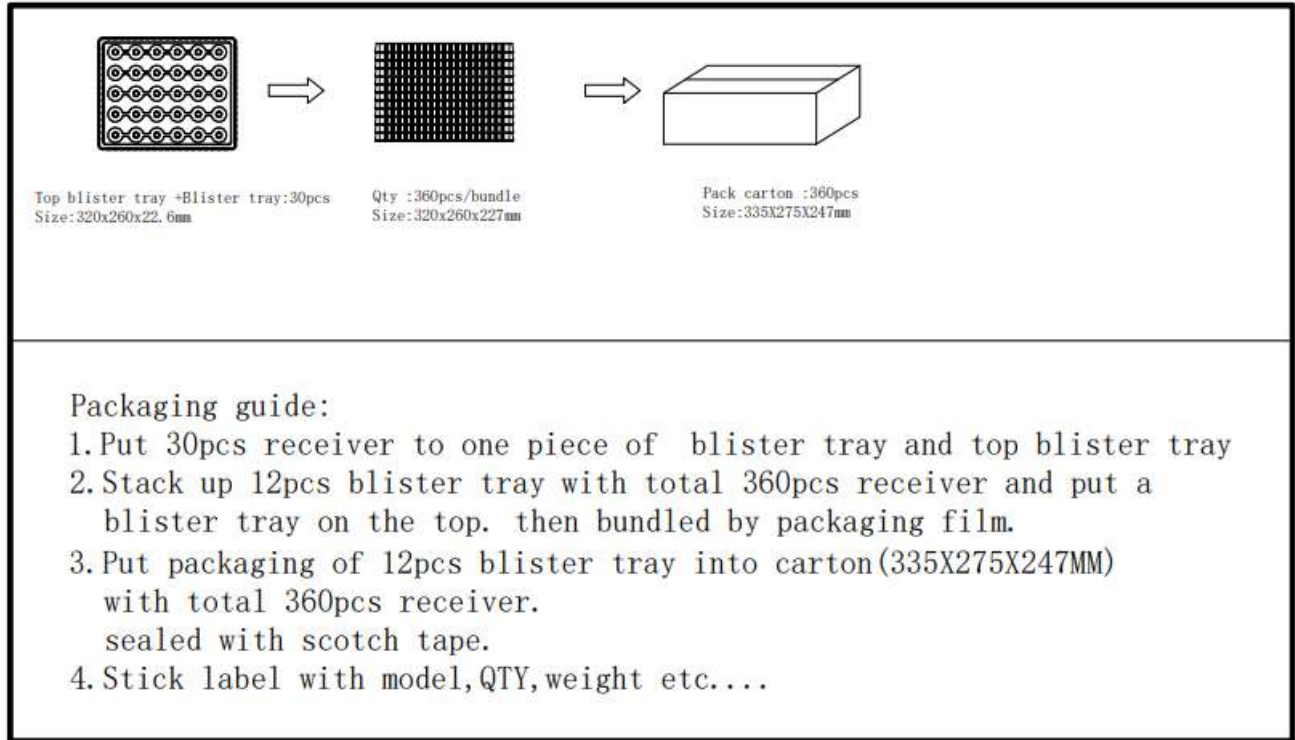


No.	PART NAME	QTY	MATERIAL
1	FRAME	1	PC+20%GF
2	TERMINAL	1	SUS304
3	SCREEN A	1	POLYESTER
4	SCREEN B	1	POLYESTER
5	VOICE COIL	1	SPCCAW
6	YOKE	1	SPCC Cr ³⁺
7	POLE PIECE	1	SPCC Cr ³⁺
8	MAGNET	1	NdFeB Cr ³⁺
9	DIAPHRAGM	1	PU+AZM

OLE WOLFF ELEKTRONIK A/S Roedengvej 25 4180 Soroe Denmark TEL: +45 57833830 FAX: +45 57820019	OLE WOLFF ELECTRONICS INC. 1525 McCarthy Blvd, Suite 1093 Milpitas, Ca 95035 USA TEL: +1 408 888 8413	OLEWOLFF ELEKTRONIK GmbH Schulstrasse 15A. DE-25451 Quickborn. Germany TEL: +49 (0) 4106 765900 FAX: +49 (0) 4106 627297	OLEWOLFF ELECTRONICS 3 Bedford Street, Woburn, Bedfordshire MK17 9QB, ENGLAND TEL: +44 (0) 1525 290755 FAX: +44 (0) 1525 290855	OLE WOLFF ELEKTRONIK Yliopistonkatu 26 (P.O.BOX 257) FI-40101 Jyväskylä Finland TEL: +358 14 338 3050 FAX: +358 14 338 3059	OLE WOLFF (ASIA) LTD. Unit B, 19/F., Bold Win Ind. Bldg., No. 16-18 Wah Sing St., Kwai Chung, N.T., H.K. TEL: +852 2424 3274 FAX: +852 2424 2219	OLE WOLFF LTD. 5 Floor, Block G, WenTao Industrial Park, YingRenShi, Bao'an District, Shenzhen City, Guangdong Province, PRC. TEL: +86 755 82612542 TEL: +86 755 26406156
-----------------------------------------------------------------------------------------------------------------	-------------------------------------------------------------------------------------------------------------------------	--------------------------------------------------------------------------------------------------------------------------------------------	---------------------------------------------------------------------------------------------------------------------------------------------------	--------------------------------------------------------------------------------------------------------------------------------------------------	--------------------------------------------------------------------------------------------------------------------------------------------------------------------	---------------------------------------------------------------------------------------------------------------------------------------------------------------------------------------------

	Date	21-Jun-2021	SPECIFICATION	OLE WOLFF
	Page	9 / 9		www.owolff.com
	CN	P/N: OWR-3507T-36A		Revision: A

12. Packing (Fig.7)



OLE WOLFF ELEKTRONIK A/S Roedengvej 25 4180 Soroe Denmark TEL: +45 57833830 FAX: +45 57820019	OLE WOLFF ELECTRONICS INC. 1525 McCarthy Blvd, Suite 1093 Milpitas, Ca 95035 USA TEL: +1 408 888 8413	OLEWOLFF ELEKTRONIK GmbH Schulstrasse 15A. DE-25451 Quickborn. Germany TEL: +49 (0) 4106 765900 FAX: +49 (0) 4106 627297	OLEWOLFF ELECTRONICS 3 Bedford Street, Woburn, Bedfordshire MK17 9QB, ENGLAND TEL: +44 (0) 1525 290755 FAX: +44 (0) 1525 290855	OLE WOLFF ELEKTRONIK Yliopistonkatu 26 (P.O.BOX 257) FI-40101 Jyväskylä Finland TEL: +358 14 338 3050 FAX: +358 14 338 3059	OLE WOLFF (ASIA) LTD. Unit B, 19/F., Bold Win Ind. Bldg., No. 16-18 Wah Sing St., Kwai Chung, N.T., H.K. TEL: +852 2424 3274 FAX: +852 2424 2219	OLE WOLFF LTD. 5 Floor, Block G, WenTao Industrial Park, YingRenShi, Bao'an District, Shenzhen City, Guangdong Province, PRC. TEL: +86 755 82612542 TEL: +86 755 26406156
---------------------------------------------------------------------------------------------------------------------	-----------------------------------------------------------------------------------------------------------------------------	------------------------------------------------------------------------------------------------------------------------------------------------	-------------------------------------------------------------------------------------------------------------------------------------------------------	------------------------------------------------------------------------------------------------------------------------------------------------------	------------------------------------------------------------------------------------------------------------------------------------------------------------------------	-------------------------------------------------------------------------------------------------------------------------------------------------------------------------------------------------