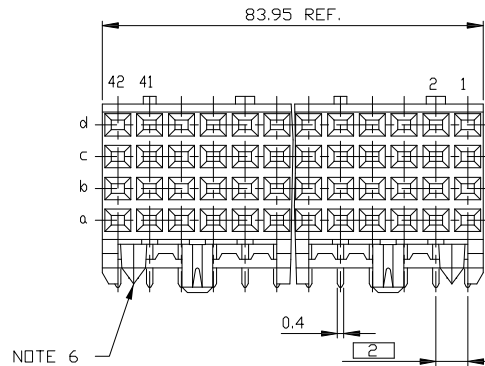
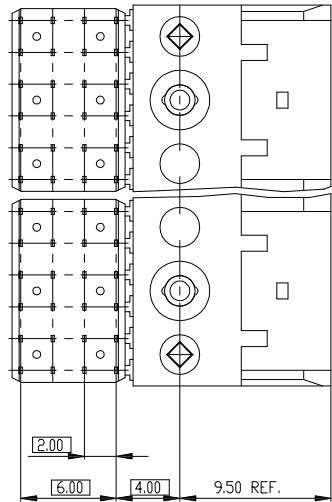
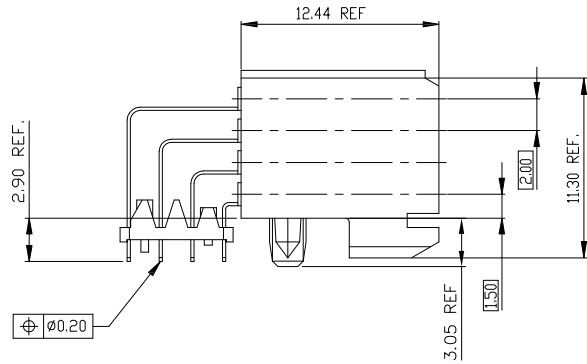




All rights strictly reserved. Reproduction or issue to third parties in any form whatever is not permitted without written authority from the proprietor. Property of FCI. Copyright FCI.

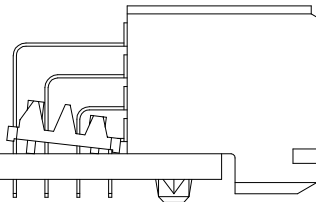
Tous droits strictement reserves. Reproduction ou communication a des tiers interdite sous quelque forme que ce soit sans autorisation écrite du propriétaire. Propriete de c FCI. Droits de reproduction FCI.

PLATING CONTACT AREA:	
DASH NR:	PERFORMANCE LEVEL
-1YY/1YYLF	TELCORDIA CO
-2YY/2YYLF	CUSTOMER SPECIAL
-3YY/3YYLF	CUSTOMER SPECIAL



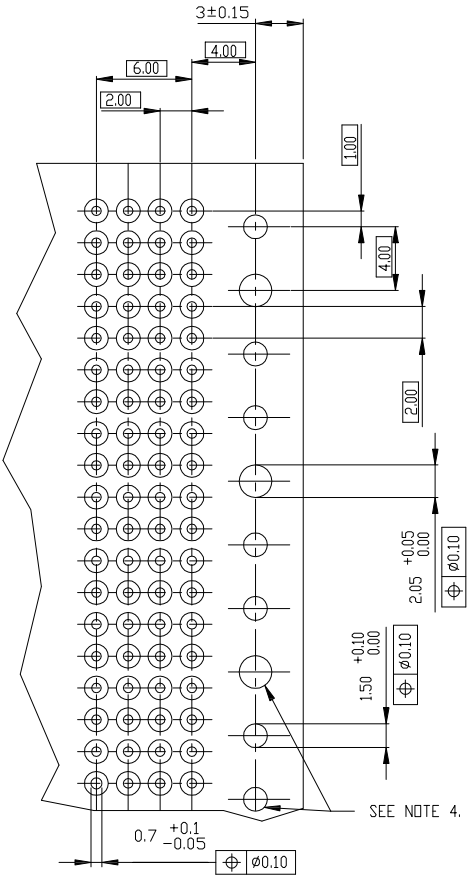
PRODUCT AFTER PC BOARD APPLICATION

PC BOARD THICKNESS 1.6±0.2



NOTES:

- 1 BODY MAT'L: LIQUID CRYSTAL POLYMER 30% GLASS FLAME RETARDANT ACC. UL 94-V0
- 2 TERMINAL MATERIAL: PHOSPHOR BRONZE.
- 3 PLATING SOLDER TAILS 2-8 um SnPb 90-97
- 4 INDICATED HOLES ARE UNPLATED.
- 5 PRODUCT MARKING PART NUMBER & BATCH ID.
- 6 DIAMOND LOCATION PEG ARE ONLY EXISTED ON THE BOTH SIDES OF PRODUCT.



RECOMMENDED HOLE PATTERN, COMPONENT SIDE.

SEE NOTE 4.

mat'l. code				tolerances unless otherwise specified				CUSTOMER COPY		FCI	
ltr	ecn no	dr	date	linear	.X±.3		projection	title	www.fciconnect.com		
A	V30761	SCS	920517		.XX±.13		MM		R.A. FEMALE SIGNAL		
B	V00242	LSS	1/19/00		.XXX±.051		scale	product family	code		
C	DG06-0448	Cenh	11/03/06	angles	0° ±2°		1:1	84MM SPECIAL	size	213	
D	DG07-0171	Cenh	05/25/07	dr	STU STONER	921013	A4	METRAL (tm)	sheet	1 of 3	
E	DG08-0171	TER	8/21/08	engr	R.DOUTRICH	921013		92953			
F	DG09-0068	Cenh	06/06/09	chr	STU STONER	921013					
				appo	STU STONER	921013					
sheet index	revision sheet	F 1	F 2	F 3							

cage code 22526

PDM: Rev:F

STATUS: Released

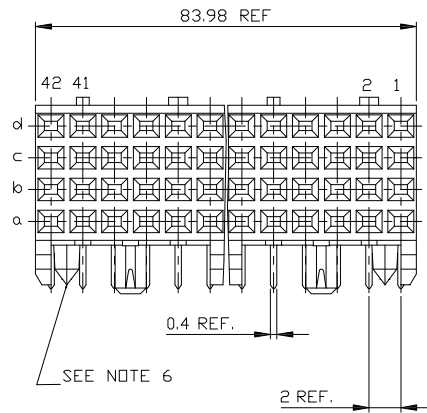
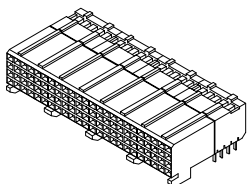
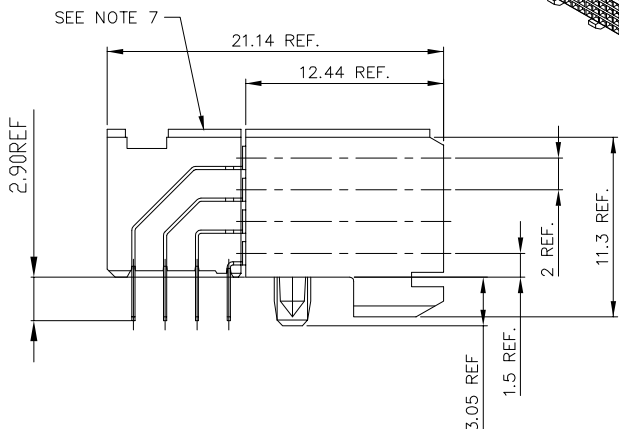
Printed: May 16, 2011



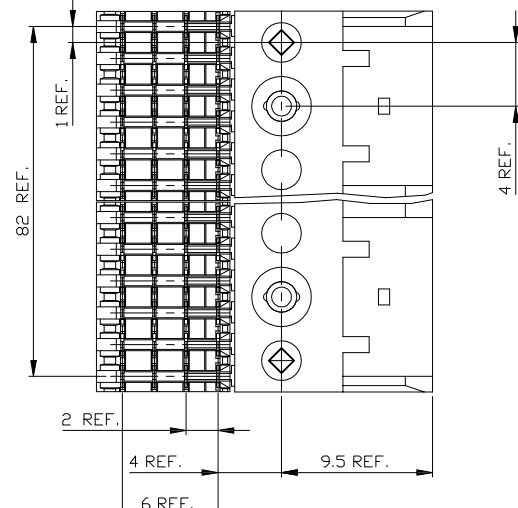
All rights strictly reserved. Reproduction or issue to third parties in any form whatever is not permitted without written authority from the proprietor. Property of FCI. Copyright FCI.

Tous droits strictement reserves. Reproduction ou communication a des tiers interdite sous quelque forme que ce soit sans autorisation écrite du propriétaire. Propriete de c FCI. Droits de reproduction FCI.

PLATING CONTACT AREA:	
DASH NR:	PERFORMANCE LEVEL
-1YY/1YYLF	TELCORDIA CO
-2YY/2YYLF	CUSTOMER SPECIAL
-3YY/3YYLF	CUSTOMER SPECIAL

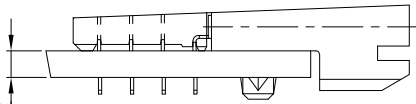


PRODUCT AFTER PC BOARD APPLICATION

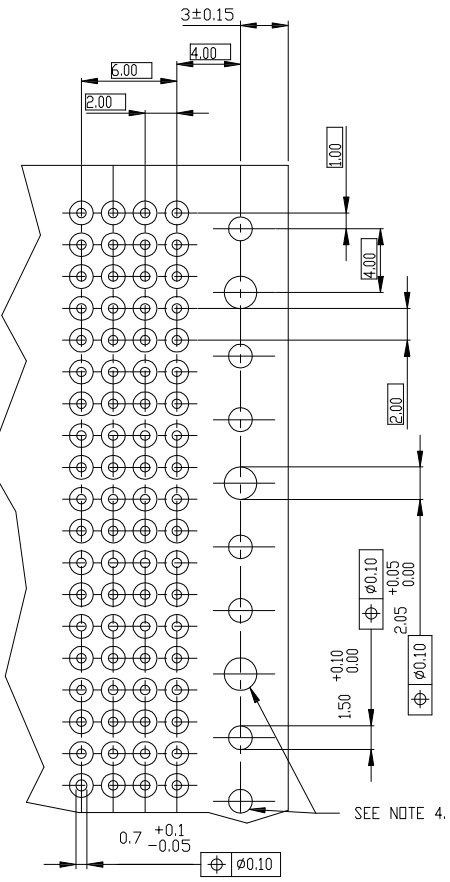


- ⑥ LOCATION PEG FEATURES MAY NOT BE AVAILABLE AS SHOWN.
- 7 TOP SURFACE OF PRESS BLOCK MAY EXTEND UP TO 0.4MM HIGHER THAN HOUSING. THIS MAY AFFECT THE TAIL LENGTH BEFORE APPLICATION TO A BOARD

PC BOARD THICKNESS 1.6±0.2



- NOTES:
- 1 BODY MAT'L: LIQUID CRYSTAL POLYMER 30% GLASS
FLAME RETARDANT ACC. UL 94-V0
 - 2 TERMINAL MATERIAL: PHOSPHOR BRONZE.
 - 3 PLATING SOLDER TAILS 2-8 um SnPb 90-97.
 - 4 INDICATED HOLES ARE UNPLATED.
 - 5 PRODUCT MARKING PART NUMBER & BATCH ID.
 - 6 DIAMOND LOCATION PEG ARE ONLY EXISTED ON THE BOTH SIDES OF PRODUCT.



RECOMMENDED HOLE PATTERN, COMPONENT SIDE.

mat'l. code				tolerances unless otherwise specified		CUSTOMER COPY		FCI www.fciconnect.com	
ltr	ecn no	dr	date	linear	.X±.3	projection	title R.A. FEMALE SIGNAL 84MM SPECIAL	product family METRAL (tm)	
F					.XX±.13	MM		code	
				angles	.XXX±.051			scale	size/ dwg no
				dr	Heaven Cen 11/01/06	1:1	A4	92953	
				engr	Collins Lu 11/01/06			213	
				chr	Beer Fu 11/01/06			sheet	
				app	Joseph Hsia 11/01/06			2 of -	
sheet index	revision sheet							cage code	
								22526	

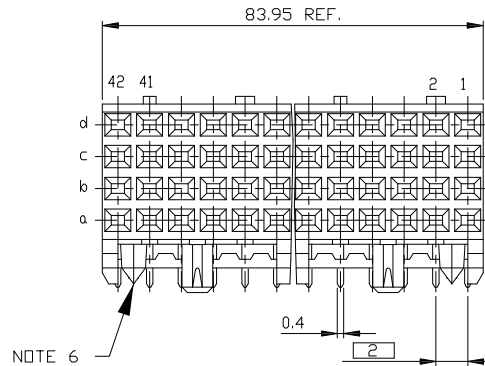
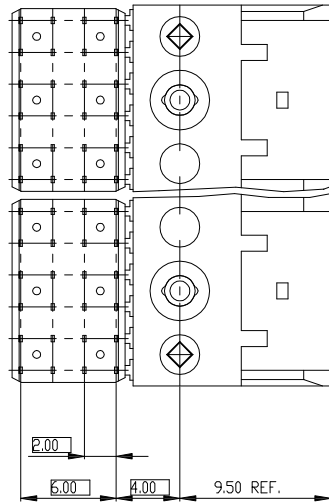
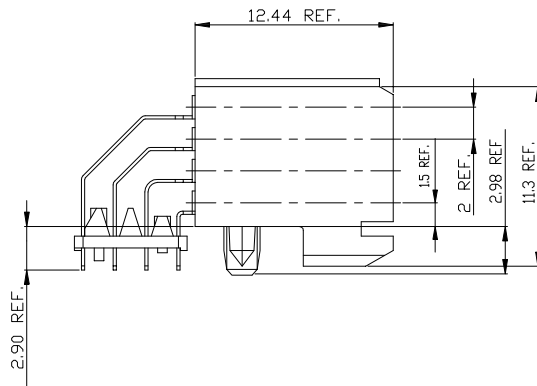
cage code 22526



All rights strictly reserved. Reproduction or issue to third parties in any form whatever is not permitted without written authority from the proprietor. Property of FCI. Copyright FCI.

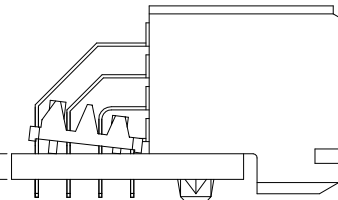
Tous droits strictement réservés. Reproduction ou communication à des tiers interdite sous quelque forme que ce soit sans autorisation écrite du propriétaire. Propriété de c FCI. Droits de reproduction FCI.

PLATING CONTACT AREA:	
DASH NR:	PERFORMANCE LEVEL
-1YY/1YYLF	TELCORDIA CO
-2YY/2YYLF	CUSTOMER SPECIAL
-3YY/3YYLF	CUSTOMER SPECIAL



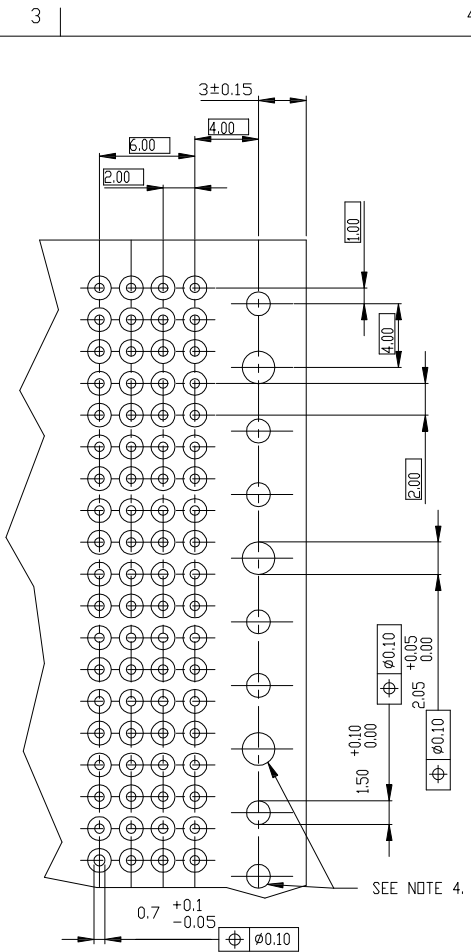
PRODUCT AFTER PC BOARD APPLICATION

PC BOARD THICKNESS 1.6±0.2



NOTES:

- 1 BODY MAT'L: LIQUID CRYSTAL POLYMER 30% GLASS FLAME RETARDANT ACC. UL 94-V0
- 2 TERMINAL MATERIAL: PHOSPHOR BRONZE.
- 3 PLATING SOLDER TAILS 2-8 um SnPb 90-97 OR 2-8 um PURE Sn
- 4 INDICATED HOLES ARE UNPLATED.
- 5 PRODUCT MARKING PART NUMBER & BATCH ID.
- 6 DIAMOND LOCATION PEG ARE ONLY EXISTED ON THE BOTH SIDES OF PRODUCT.



RECOMMENDED HOLE PATTERN, COMPONENT SIDE.

mat'l. code				tolerances unless otherwise specified			CUSTOMER COPY		FCI	
ltr	ecn no	dr	date	linear	.X±3	projection	title		www.fciconnect.com	
F				angles	.XX±13		R.A. FEMALE SIGNAL			
				dr	.XXX±.051		MM	84MM SPECIAL		
				engr	0° ±2°	scale	product family METRAL (tm)		code	
				chr		1:1	size/ dwg no		213	
				appd			A4		92953	
sheet index	revision sheet									

cage code 22526

PDM: Rev:F

STATUS: Released

Printed: May 16, 2011