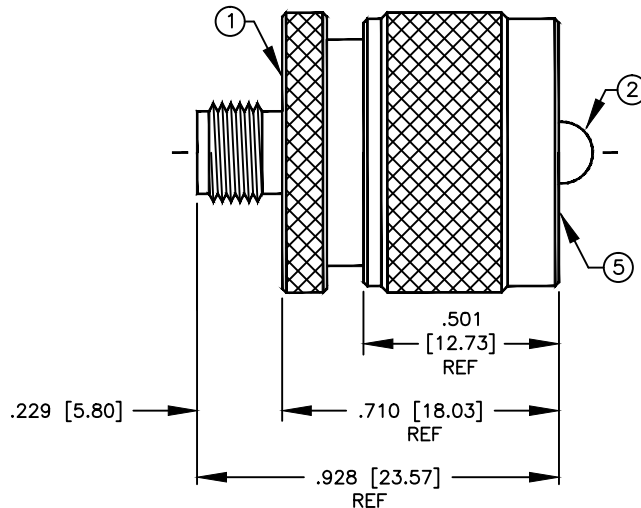


SPECIFICATION CONTROL DRAWING

THIS DRAWING CONTAINS INFORMATION PROPRIETARY TO RF INDUSTRIES, LTD. ANY UNAUTHORIZED USE OF THIS DRAWING IS EXPRESSLY PROHIBITED. ANY VIOLATION IS PUNISHABLE UNDER U.S. COPYRIGHT LAWS.

REV	DESCRIPTION	DWN	DATE	APPROVED
A	ENGINEERING RELEASE	KMM	1/3/95	R. RICE



SPECIFICATIONS:

IMPEDANCE: NON-CONSTANT
 VOLTAGE RATING: 500 VOLTS RMS
 FREQUENCY RANGE: 0-500 MHZ

DIMENSIONS ARE IN INCHES OVER MILLIMETERS.
 UNLESS OTHERWISE NOTED TOLERANCES ARE:
 DECIMALS ANGLES



7620 MIRAMAR RD
 SAN DIEGO, CA 92126
 (858) 549-6340
 (858) 549-6345 FAX

RSA-3474

SMA FEMALE TO UHF MALE

ITEM	DESCRIPTION	QTY	MATERIAL	FINISH
6	RETAINING RING	1	QQB613 (BRASS)	NONE
5	SHELL	1	BRASS	NICKEL
4	DIELECTRIC	1	PTFE	NONE
3	DIELECTRIC	1	PTFE	NONE
2	PIN	1	BRASS	GOLD
1	BODY	1	BRASS	NICKEL

DRAWN	K. MAXWELL	1/3/95
CHECKED		
ISSUED	H. HILL	1/3/95
ORJ DRAWN	K. MAXWELL	1/3/95

SIZE	CABLE GROUP	DWG NO.	REV
A	N/A	8427A	A