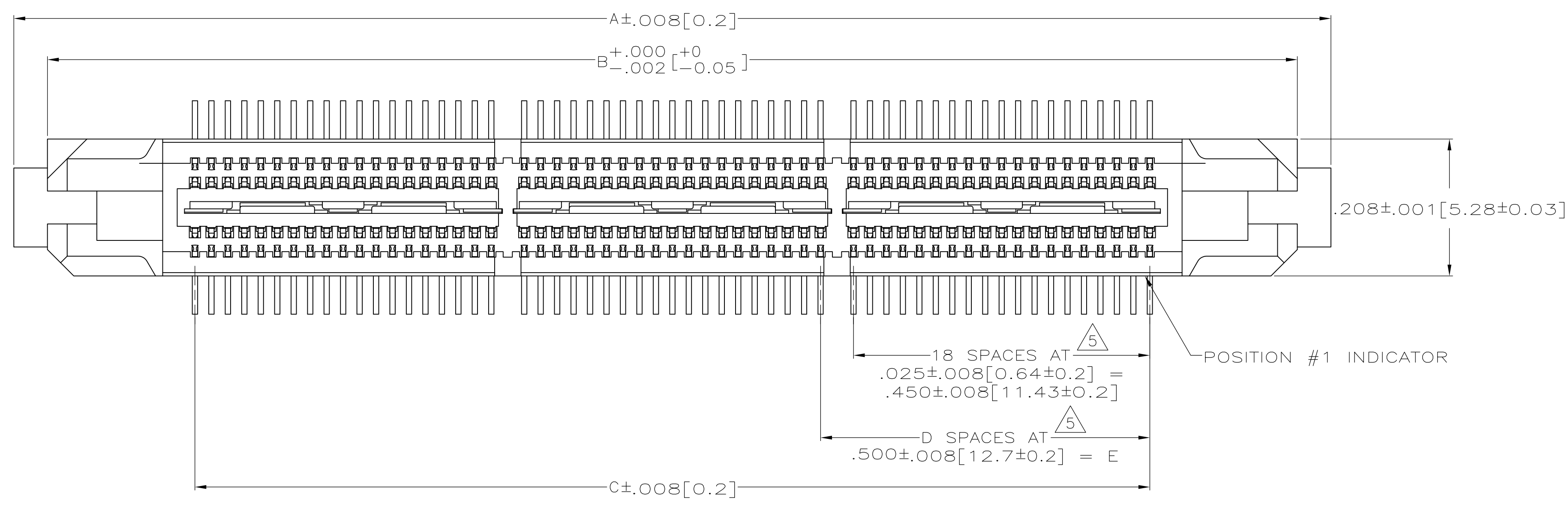
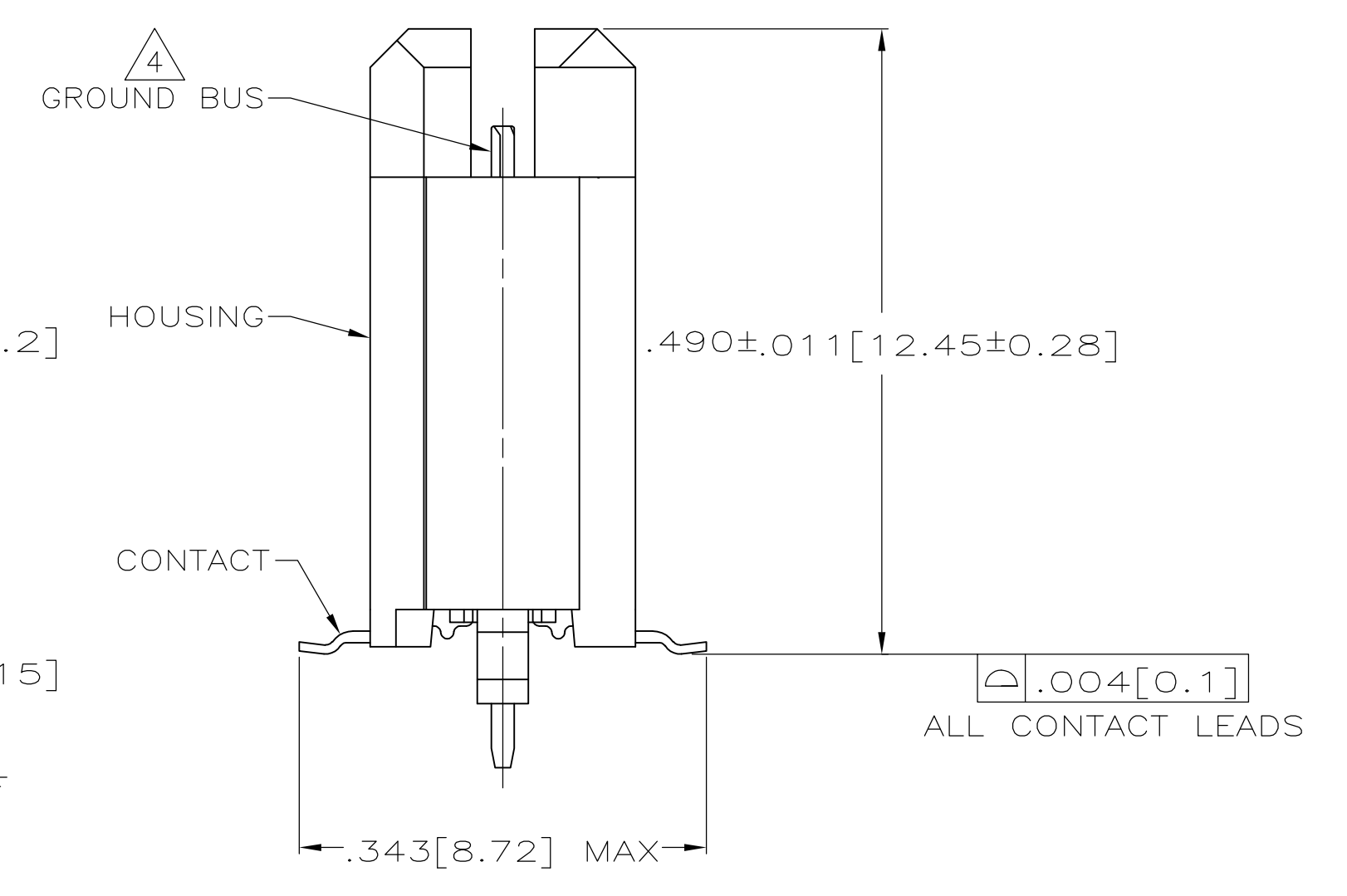
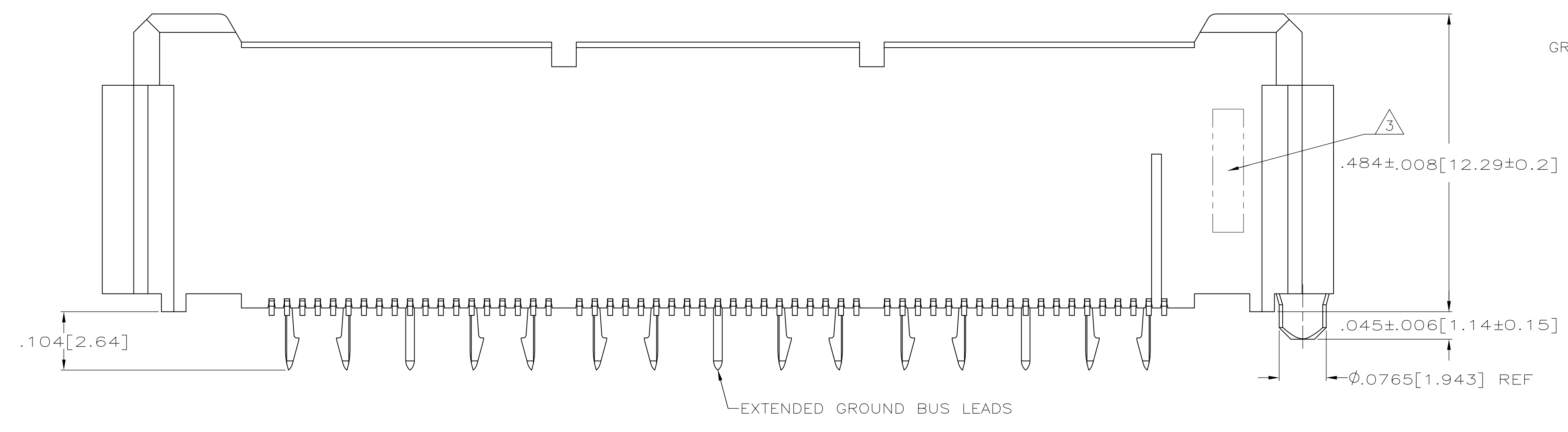


LOC		DIST		REVISIONS				
AD	47	REV	LTR	DESCRIPTION	DATE	DNW	APVD	
A2		REVISED	PER	ECO-12-007590	19JUL12	KH	MH	

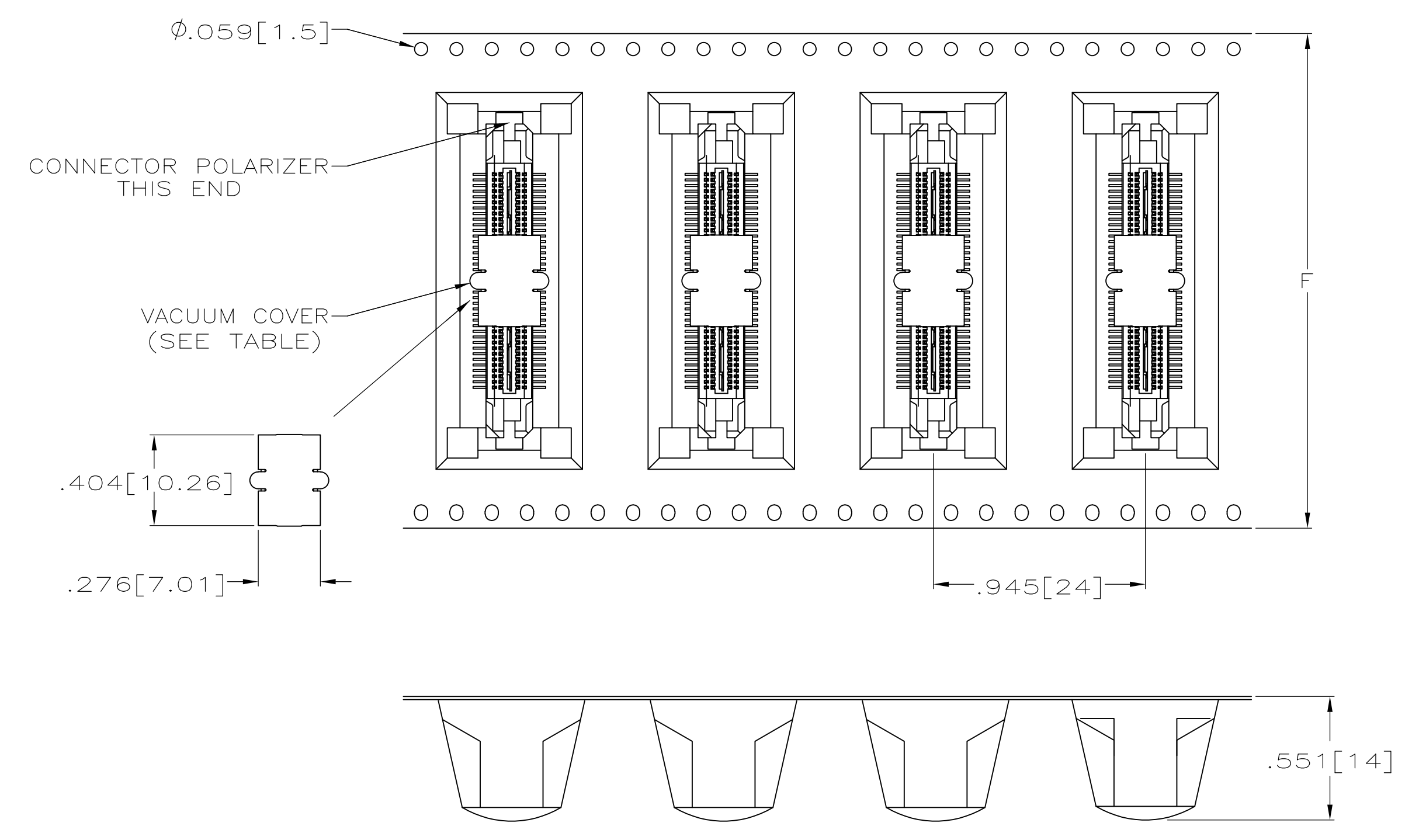


- 1 HOUSING: LIQUID CRYSTAL POLYMER, COLOR BLACK.
CONTACTS: HIGH RELIABILITY COPPER ALLOY.
GROUND BUSES: BRASS, UNS C26000
- 2 CONTACTS & GROUND BUSES: NICKEL UNDERPLATE ALL OVER, MATING SURFACE PLATED TO MEET LEVEL 2 PERFORMANCE REQUIREMENTS OF TE PRODUCT SPECIFICATION 108-1422, SOLDER TAILS PLATED MATTE TIN.
- 3 DATE CODE MARKED IN AREA INDICATED ON SIDE OPPOSITE POSITION #1.
- 4 ONE GROUND BUS WITH 5 TAILS PER EACH MODULE.
- 5 TOLERANCE NON-ACCUMULATIVE.
- 6 FOR STANDARD APPLICATIONS, ORIENTATION HOLE TO BE $\phi .094 \pm .002 [2.39 \pm 0.05]$.
FOR SLIP-FIT APPLICATIONS, ORIENTATION HOLE TO BE $\phi .079 \pm .001 [2.00 \pm 0.03]$.
- 7 CONNECTORS PACKAGED ON 13 INCH DIA REELS PER EIA 481.

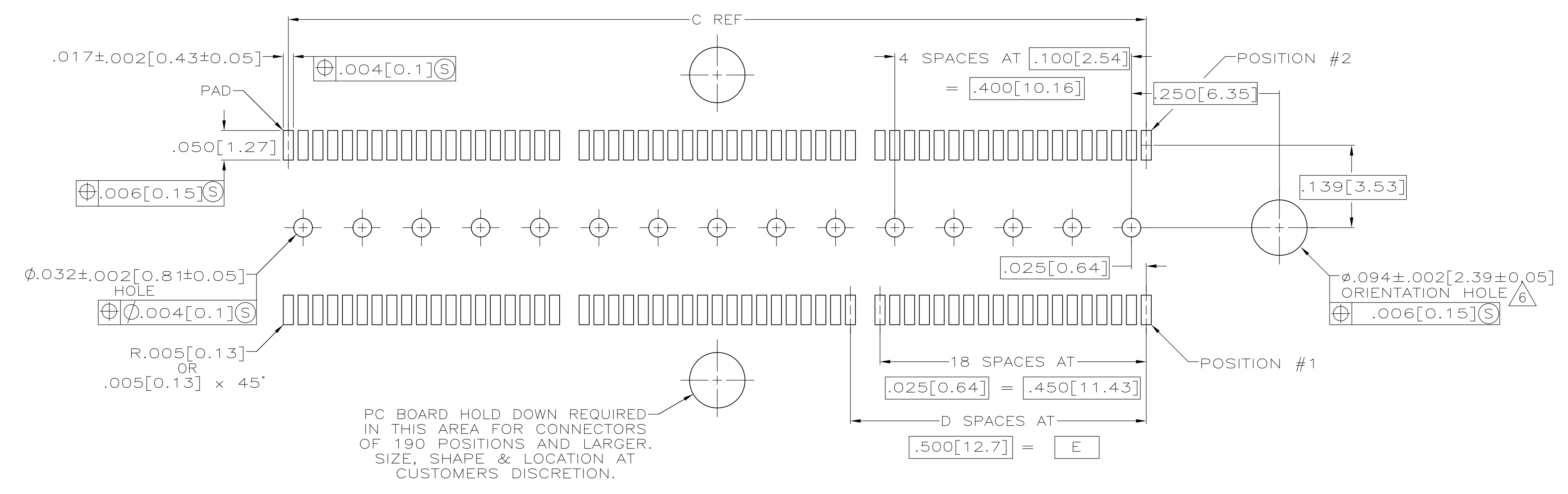


SEE SHEET 2 FOR RECOMMENDED PC BOARD LAYOUT AND PACKAGING DETAIL

NO	4.724 [120]	3.000 [76.2]	6	3.450 [87.63]	3.898 [99.01]	4.000 [101.6]	266	1-5767151-4
VACUUM COVER INCLUDED	F	E	D	C	B	A	NO OF POS	PART NUMBER
THIS DRAWING IS A CONTROLLED DOCUMENT.		DIN A FERNANDEZ 27 OCT 04		APVD D DIXON 27 OCT 04		NAME		
DIMENSIONS: INCHES		TOLERANCES UNLESS OTHERWISE SPECIFIED:		PRODUCT SPEC		PLUG ASSEMBLY, .495 [12.57] VERTICAL, .025 [0.64] CL, GULL WING LEADS, POCKET TAPE PACKAGED, MICTOR		
0 PLC ± -		1 PLC ± -		108-1422		APPLICATION SPEC		
2 PLC ± -		3 PLC ± -		114-11004		SIZE		
3 PLC ± -		4 PLC ± -		A1 00779		CAGE CODE DRAWING NO		
4 PLC ± -		ANGLES ± -		5767151		RESTRICTED TO		
MATERIAL		FINISH		WEIGHT		CUSTOMER DRAWING		
1		2		SCALE 8:1		SHEET 1 OF 2 REV A2		



PACKAGING DETAIL ∇
SCALE 2:1
DIMENSIONS ARE FOR REFERENCE



RECOMMENDED PC BOARD LAYOUT
(VIEWED FROM CONNECTOR SIDE)

THIS DRAWING IS A CONTROLLED DOCUMENT.		DIN	A. FERNANDEZ	27 OCT 04
DIMENSIONS: INCHES		CHK	D. DIXON	27 OCT 04
TOLERANCES UNLESS OTHERWISE SPECIFIED:		APPRO	D. DIXON	27 OCT 04
0. PLC	± -	NAME	PLUG ASSEMBLY, .495 [12.57] VERTICAL, .025 [0.64] CL, GULL WING LEADS, POKET TAPE PACKAGED, MICTOR	
1. PLC	± -	PRODUCT SPEC	108-1422	
2. PLC	± -	APPLICATION SPEC	114-11004	
3. PLC	± .005 (0.13)	SIZE	A1	00779
4. PLC	± -	WEIGHT	5767151	
ANGLES	± -	CUSTOMER DRAWING	SCALE	8:1
MATERIAL	-	FINISH	-	SHEET 2 OF 2
				REV A2