

REVISIONS				
REV.	ECN	DESCRIPTION	DATE	APPROVED
A		PROPOSAL	02-NOV-21	J.SI
B		UPDATED DRAWING	21-MAR-22	J.SI

NOTES:

- 1) MATERIAL: COPPER ALLOY.
- 2) PLATING: 2.54  $\mu$ m MIN.NICKEL.
- 3) PACKAGING: TRAY PACKAGING.
- 4) COMPLIES WITH OSFP MSA .
- 5) AMPHENOL PART NUMBER:  
UE62-B162G-021E1

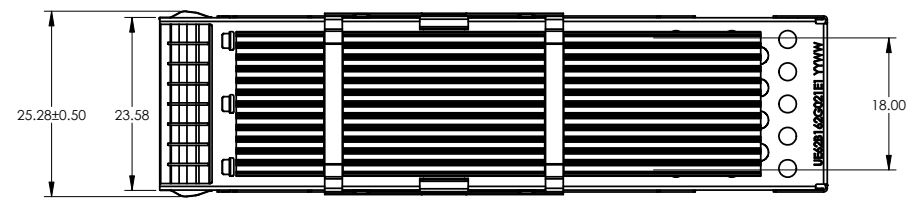
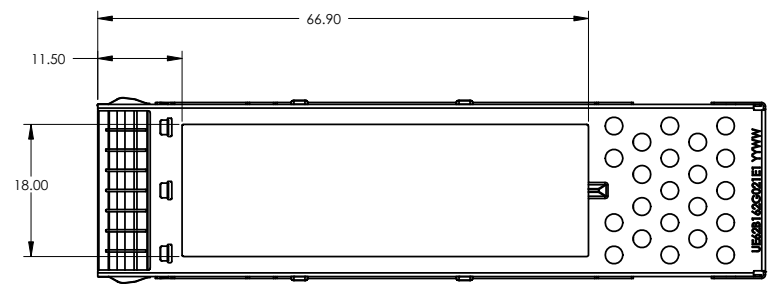


DO NOT SCALE DRAWING

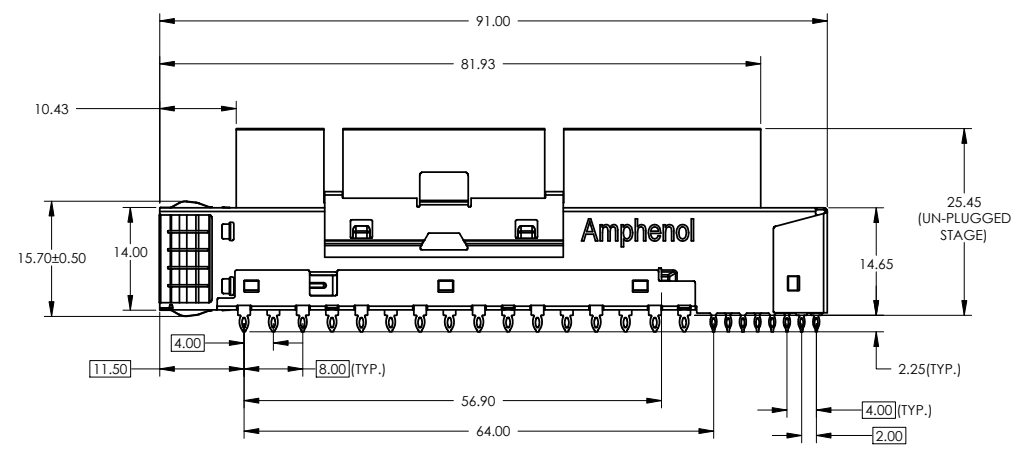
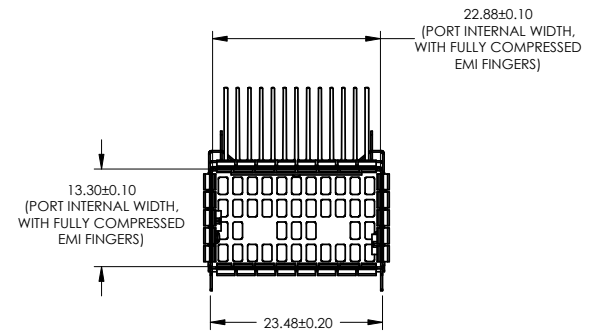
THIS DOCUMENT CONTAINS PROPRIETARY INFORMATION AND SUCH INFORMATION MAY NOT BE DISCLOSED TO OTHERS FOR ANY PURPOSE OR USED FOR MANUFACTURING PURPOSES WITHOUT PERMISSION FROM AMPHENOL CANADA CORP.

UNLESS OTHERWISE SPECIFIED DIMENSIONS ARE IN MILLIMETERS TOLERANCES ARE:		APPROVALS	DATE	Amphenol High Speed Interconnects A Division of Amphenol Corp. www.amphenol-highspeed.com	
DECIMALS X.X $\pm$ 0.38 X.XX $\pm$ 0.25	ANGLES $\pm$ 0.5°	DRAWN Galen	02-NOV-21	TITLE	
MATERIAL AND FINISH SEE NOTE 1		DESIGNED		OSFP 1X1 CAGE WITH TOP OPEN	
REF.		CHECKED Chigow.X	02-NOV-21	GA APPD	
CODE IDENT. NO. 03554		EA APPD		SCALE	REV. B
		DWG APPD J.SI	02-NOV-21	SIZE A3	DWG. NO. P-UE62-B162G-021E1
				SCALE 1:1	PROJECT
					SHEET 1 OF 6

REVISIONS				
REV.	ECN	DESCRIPTION	DATE	APPROVED
A		PROPOSAL	02-NOV-21	J.SI
B		UPDATED DRAWING	21-MAR-22	J.SI



CAGE ONLY

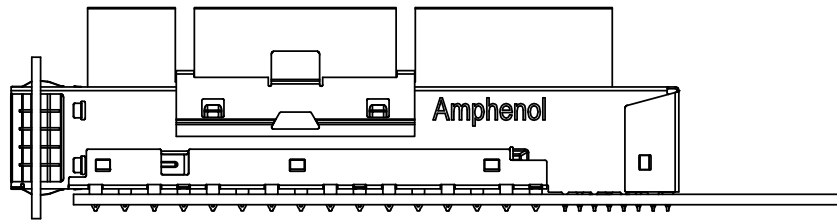


DO NOT SCALE DRAWING

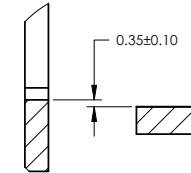
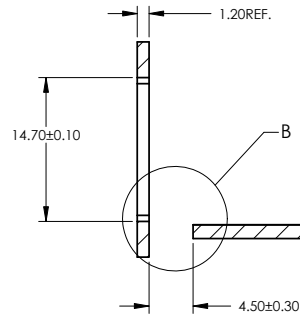
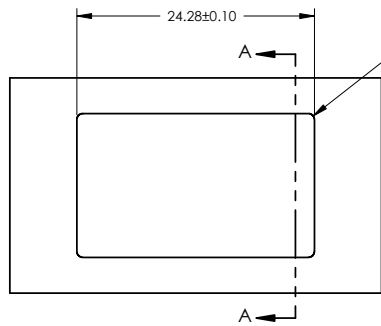
THIS DOCUMENT CONTAINS PROPRIETARY INFORMATION AND SUCH INFORMATION MAY NOT BE DISCLOSED TO OTHERS FOR ANY PURPOSE OR USED FOR MANUFACTURING PURPOSES WITHOUT PERMISSION FROM AMPHENOL CANADA CORP.

<small>UNLESS OTHERWISE SPECIFIED DIMENSIONS ARE IN MILLIMETERS TOLERANCES ARE:</small> DECIMALS      ANGLES X.X ± 0.38      ± 0.5° X.XX ± 0.25	APPROVALS	DATE	Amphenol High Speed Interconnects <small>A Division of Amphenol Corp. www.amphenol-highspeed.com</small>	
	DRAWN Galen	02-NOV-21	TITLE	
	DESIGNED		OSFP 1X1 CAGE WITH TOP OPEN	
	CHECKED Chigow.X	02-NOV-21		
MATERIAL AND FINISH	SEE NOTE 1	GA APPD		
REF.	E APPD		SIZE A3	DWG. NO. P-UE62-B162G-021E1
CODE IDENT. NO. 03554	DWG APPD J.SI	02-NOV-21	SCALE 1:1	PROJECT SHEET 2 OF 6

8 7 6 5 4 3 2 1



REVISIONS				
REV.	ECN	DESCRIPTION	DATE	APPROVED
A		PROPOSAL	02-NOV-21	J.SI
B		UPDATED DRAWING	21-MAR-22	J.SI

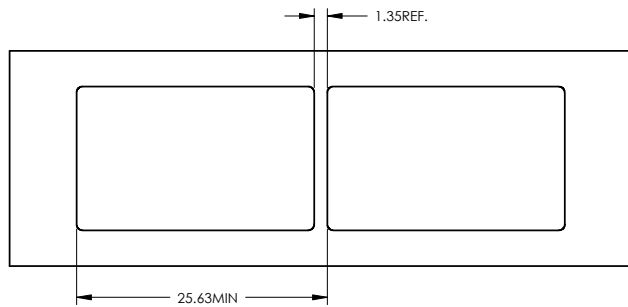


DETAIL B  
SCALE 4 : 1

SECTION A-A  
SCALE 2 : 1

1.40REF.

RECOMMENDED BEZE DESIGN  
FOR SINGLE SAID MOUNTING

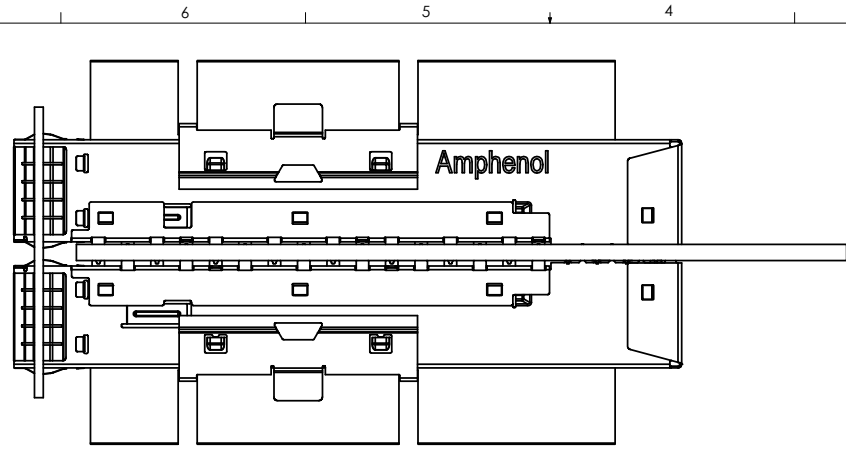


DO NOT SCALE DRAWING

THIS DOCUMENT CONTAINS PROPRIETARY INFORMATION AND SUCH INFORMATION MAY NOT BE DISCLOSED TO OTHERS FOR ANY PURPOSE OR USED FOR MANUFACTURING PURPOSES WITHOUT PERMISSION FROM AMPHENOL CANADA CORP.

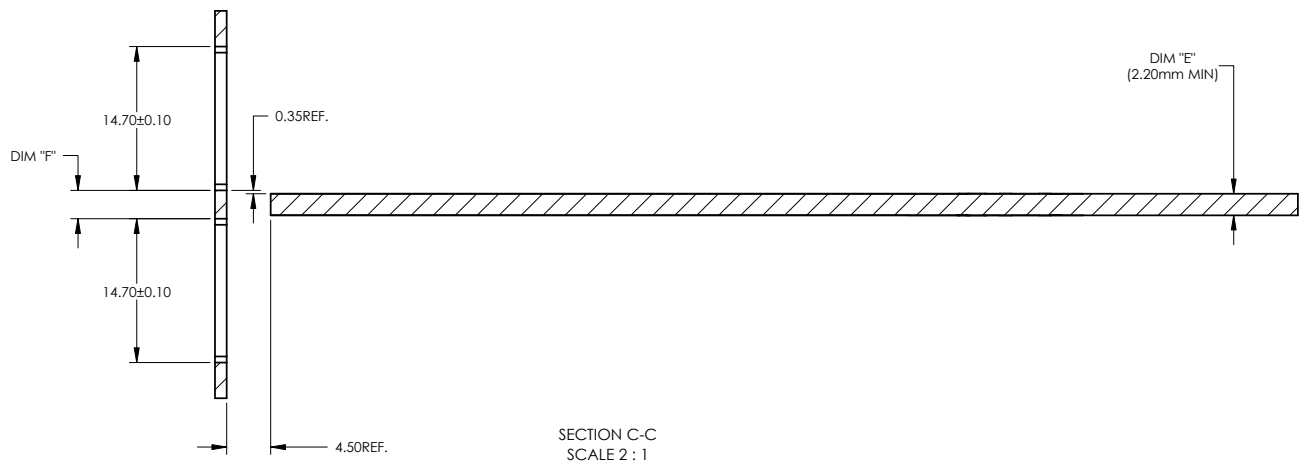
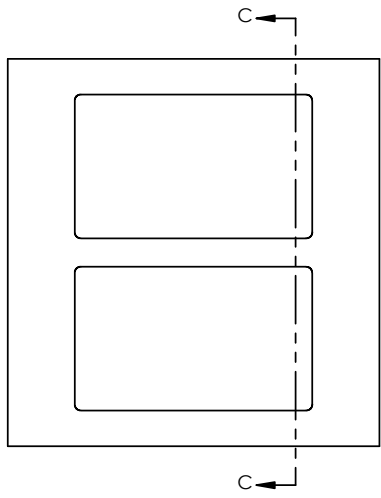
<small>UNLESS OTHERWISE SPECIFIED DIMENSIONS ARE IN MILLIMETERS TOLERANCES ARE:</small> DECIMALS    ANGLES X.X ± 0.38    ± 0.5° X.XX ± 0.25	<b>APPROVALS</b>	<b>DATE</b>	<b>Amphenol High Speed Interconnects</b> <small>A Division of Amphenol Corp. www.amphenol-highspeed.com</small>	
	DRAWN Galen	02-NOV-21	TITLE	
	DESIGNED		OSFP 1X1 CAGE WITH TOP OPEN	
	CHECKED Chigow.X	02-NOV-21		
MATERIAL AND FINISH	SEE NOTE 1	QA APPD		
REF.	E APPD		SIZE A3	DWG. NO. P-UE62-B162G-021E1
CODE IDENT. NO. 03554	DWG APPD J.SI	02-NOV-21	SCALE 1:1	PROJECT
				REV. B
				SHEET 3 OF 6

8 7 6 5 4 3 2 1



REVISIONS				
REV.	ECN	DESCRIPTION	DATE	APPROVED
A		PROPOSAL	02-NOV-21	J.SI
B		UPDATED DRAWING	21-MAR-22	J.SI

NOTE:  
 PANEL CUTOUT SIZES PER OSFP MSA SPEC. FOR BELLY TO BELLY MOUNTING, DIM "E" (PCB THICKNESS) IS 2.20 mm MIN. DIM "F" RELATED TO DIM "E". FOR DIM "F" = DIM "E" + 0.70 mm. THE PANEL CUTOUT 14.70 mm MIGHT BE INCREASED UP TO 15.10 mm IN ORDER TO ACCOMMODATE PCB TOLERANCE.



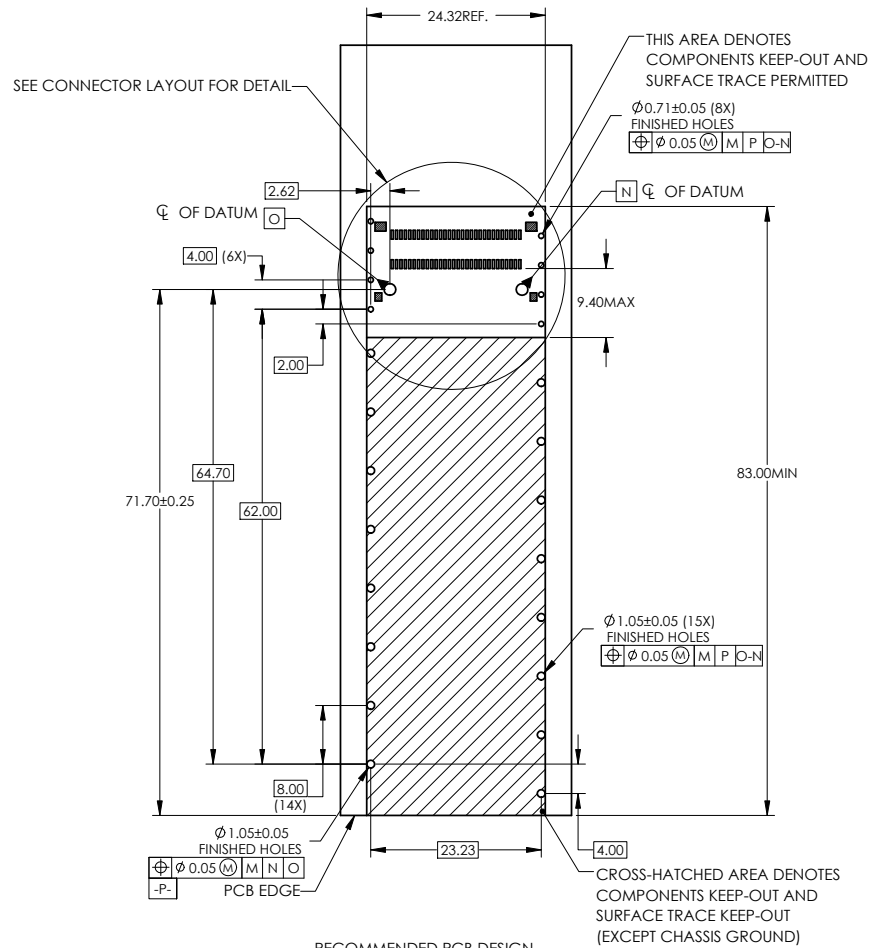
RECOMMENDED BEZE DESIGN  
 (BELLY TO BELLY CAGE MOUNTING)

DO NOT SCALE DRAWING

THIS DOCUMENT CONTAINS PROPRIETARY INFORMATION AND SUCH INFORMATION MAY NOT BE DISCLOSED TO OTHERS FOR ANY PURPOSE OR USED FOR MANUFACTURING PURPOSES WITHOUT PERMISSION FROM AMPHENOL CANADA CORP.

UNLESS OTHERWISE SPECIFIED DIMENSIONS ARE IN MILLIMETERS TOLERANCES ARE:		APPROVALS		DATE	Amphenol High Speed Interconnects A Division of Amphenol Corp. www.amphenol-highspeed.com	
DECIMALS XX ± 0.38 XXX ± 0.25	ANGLES ± 0.5°	DRAWN	Galen	02-NOV-21	TITLE	
MATERIAL AND FINISH SEE NOTE 1		DESIGNED			OSFP 1X1 CAGE WITH TOP OPEN	
REF.	E APPD	CHECKED	Chigow.X	02-NOV-21	SIZE	DWG. NO.
CODE IDENT. NO.	03554	GA APPD			A3	P-UE62-B162G-021E1
		DWG APPD	J.SI	02-NOV-21	SCALE	PROJECT
					1:1	
						REV. B
						SHEET 4 OF 6

REVISIONS				
REV.	ECN	DESCRIPTION	DATE	APPROVED
A		PROPOSAL	02-NOV-21	J.SI
B		UPDATED DRAWING	21-MAR-22	J.SI

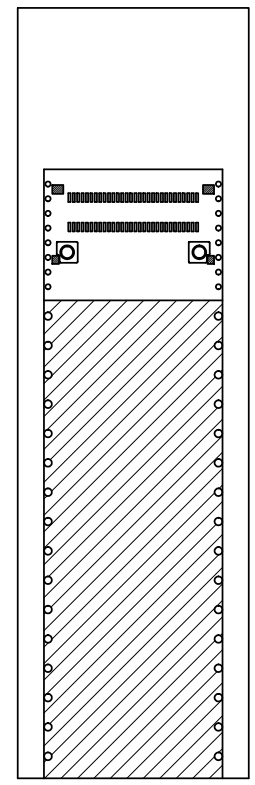
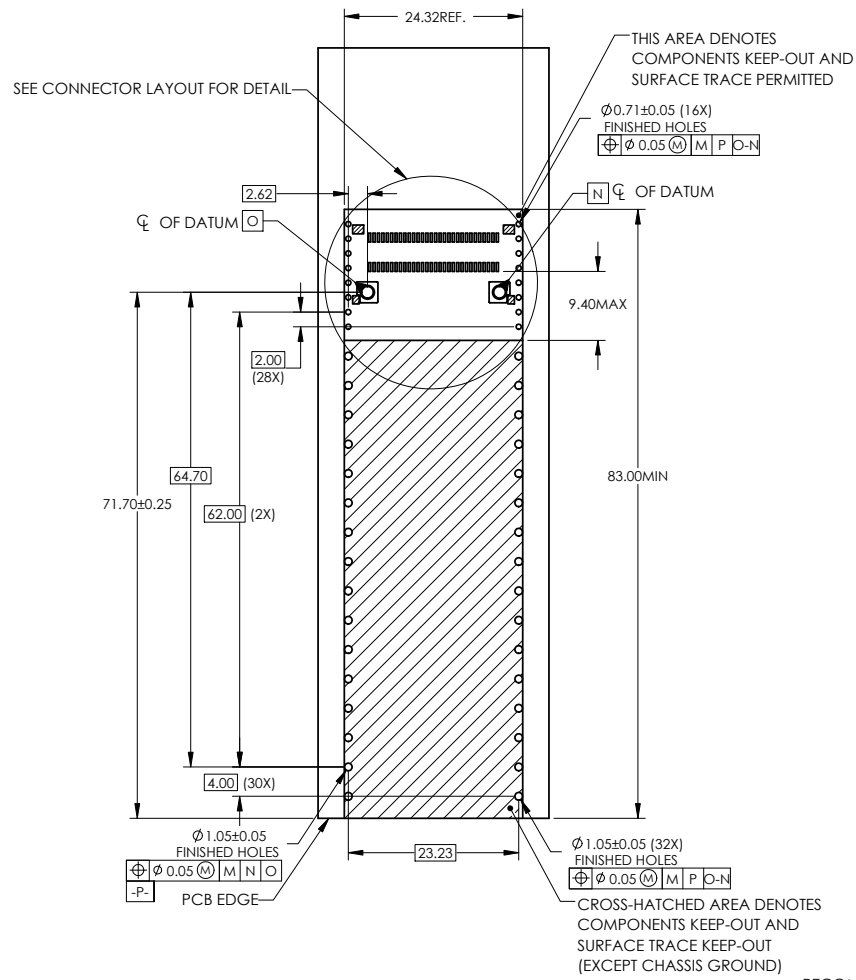


UNLESS OTHERWISE SPECIFIED DIMENSIONS ARE IN MILLIMETERS TOLERANCES ARE:		APPROVALS	DATE	Amphenol High Speed Interconnects A Division of Amphenol Corp. www.amphenol-highspeed.com	
DECIMALS	ANGLES	DRAWN	Galen	02-NOV-21	TITLE
XX ± 0.38	± 0.5°	DESIGNED			OSFP 1X1 CAGE WITH TOP OPEN
X.XX ± 0.25		CHECKED	Chigow.X	02-NOV-21	
MATERIAL AND FINISH		QA APPD			
SEE NOTE 1				SIZE	DWG. NO.
REF.	E APPD			A3	P-UE62-B162G-021E1
CODE IDENT. NO.	DWG APPD	J.SI	02-NOV-21	SCALE	PROJECT
03554				1:1	SHEET
				2	1
					5 OF 6

THIS DOCUMENT CONTAINS PROPRIETARY INFORMATION AND SUCH INFORMATION MAY NOT BE DISCLOSED TO OTHERS FOR ANY PURPOSE OR USED FOR MANUFACTURING PURPOSES WITHOUT PERMISSION FROM AMPHENOL CANADA CORP.

REVISIONS

REV.	ECN	DESCRIPTION	DATE	APPROVED
A		PROPOSAL	02-NOV-21	J.SI
B		UPDATED DRAWING	21-MAR-22	J.SI



RECOMMENDED PCB DESIGN FOR BELLY TO BELLY MOUNTING

DO NOT SCALE DRAWING

THIS DOCUMENT CONTAINS PROPRIETARY INFORMATION AND SUCH INFORMATION MAY NOT BE DISCLOSED TO OTHERS FOR ANY PURPOSE OR USED FOR MANUFACTURING PURPOSES WITHOUT PERMISSION FROM AMPHENOL CANADA CORP.

UNLESS OTHERWISE SPECIFIED DIMENSIONS ARE IN MILLIMETERS TOLERANCES ARE: DECIMALS ANGLES X.X ± 0.38 ± 0.5° X.XX ± 0.25	APPROVALS	DATE	Amphenol High Speed Interconnects <small>A Division of Amphenol Corp. www.amphenol-highspeed.com</small>	
	DRAWN Galen	02-NOV-21	TITLE	
	DESIGNED		OSFP 1X1 CAGE WITH TOP OPEN	
	CHECKED Chigow.X	02-NOV-21		
MATERIAL AND FINISH	GA APPD		SIZE	DWG. NO.
SEE NOTE 1			A3	P-UE62-B162G-021E1
REF.	E APPD		SCALE	PROJECT
CODE IDENT. NO. 03554	DWG APPD J.SI	02-NOV-21	1:1	
			SHEET	REV.
			6 OF 6	B