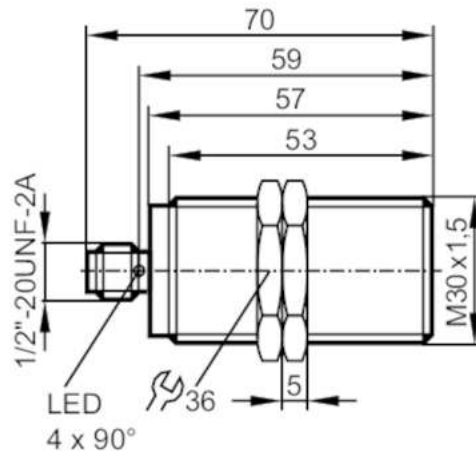




Inductive sensor

IHK2014BARKA/M/V4A/LS-104-AK



Product characteristics

Output function		normally open
Sensing range	[mm]	14
Housing		threaded type
Dimensions	[mm]	M30 x 1.5 / L = 70

Application

Special feature		Gold-plated contacts
Application		regular cleaning processes

Electrical data

Operating voltage	[V]	20...140 AC/DC
Protection class		II
Reverse polarity protection		yes
Max. power-on delay time	[ms]	1000

Outputs

Output function		normally open
Max. voltage drop switching output DC	[V]	5.5
Max. voltage drop switching output AC	[V]	5.5
Minimum load current	[mA]	5
Max. leakage current	[mA]	1
Permanent current rating of switching output AC	[mA]	80; (200 (...80 °C))
Permanent current rating of switching output DC	[mA]	80; (200 (...80 °C))
Short-time current rating of switching output	[mA]	1200; (20ms / 0,5Hz / 80 mA (> 80°C))
Switching frequency AC	[Hz]	25
Switching frequency DC	[Hz]	100
Short-circuit protection		yes

IIT001



Inductive sensor

IIK2014BARKA/M/V4A/LS-104-AK

Type of short-circuit protection	pulsed
----------------------------------	--------

Overload protection	yes
---------------------	-----

Detection zone

Sensing range [mm]	14
--------------------	----

Operating distance [mm]	0...11.34
-------------------------	-----------

Accuracy / deviations

Correction factor	steel: 1 / stainless steel: 0.7 / brass: 0.5 / aluminium: 0.4 / copper: 0.3
-------------------	---

Hysteresis [% of Sr]	2...15
----------------------	--------

Operating conditions

Ambient temperature [°C]	0...100
--------------------------	---------

Protection	IP 68; IP 69K; ("COP")
------------	------------------------

Tests / approvals

EMC	EN 61000-4-2 ESD	4 kV CD / 8 kV AD
	EN 61000-4-3 HF radiated	10 V/m
	EN 61000-4-4 Burst	2 kV
	EN 61000-4-6 HF conducted	10 V
	EN 55011	class B

MTTF [years]	380
--------------	-----

UL approval	Ta	0...40 °C
	Enclosure type	Type 1
	power supply	Hazardous voltage
	File number UL	E174191

Mechanical data

Weight [g]	140.8
------------	-------

Housing	threaded type
---------	---------------

Mounting	flush mountable
----------	-----------------

Dimensions [mm]	M30 x 1.5 / L = 70
-----------------	--------------------

Thread designation	M30 x 1.5
--------------------	-----------

Materials	housing: stainless steel (1.4404 / 316L); sensing face: PEEK; lock nuts: stainless steel (1.4404 / 316L)
-----------	--

Displays / operating elements

Display	switching status	4 x 90° LED, yellow
---------	------------------	---------------------

Accessories

Items supplied	lock nuts: 2
----------------	--------------

Remarks

Pack quantity	1 pcs.
---------------	--------

IIT001



Inductive sensor

IIK2014BARKA/M/V4A/LS-104-AK

Electrical connection - plug

Connector: 1 x 1/2"; coding: C; Contacts: gold-plated

