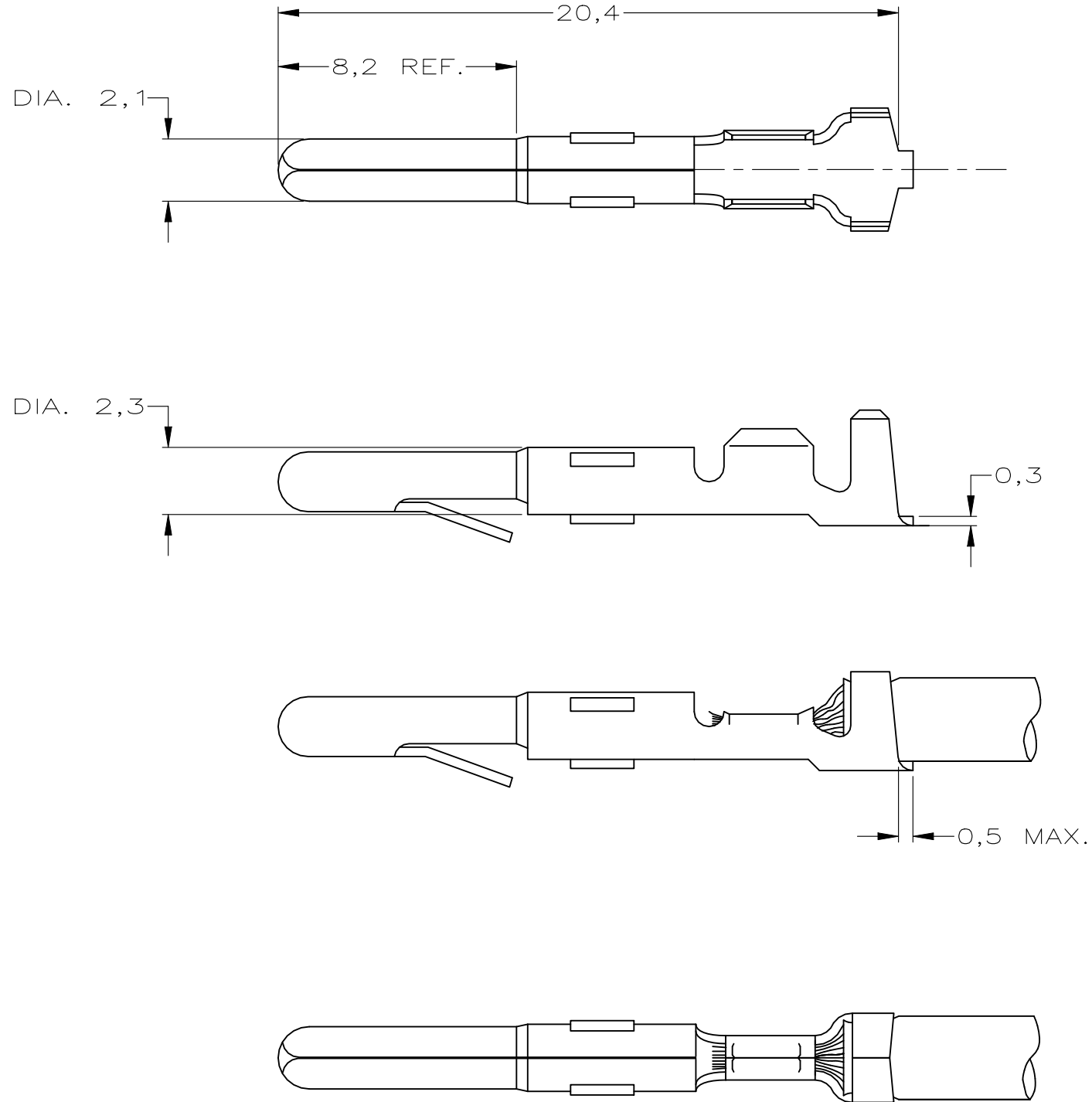
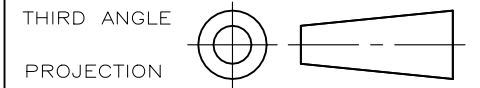


DO NOT SCALE  
DIMENSIONS IN mm

METRIC



WIRE RANGE :  
0,3-0,75mm  
INSULATION RANGE :  
1,4-2,4 DIA.

					PRE-TINPLATED	PHOSPHOR BR.	163558-4
					UNPLATED	PHOSPHOR BR.	163558-3
					PRE-TINPLATED	BRASS	163558-2
OBSOLETE NOTES					UNPLATED	BRASS	163558-1
					PLATING	MATERIAL	PARTNUMBER
					CUSTOMER DRAWING FOR REFERENCE ONLY WILL NOT BE UPDATED		
					© COPYRIGHT 19 - BY AMP HOLLAND B.V. ALL INTERNATIONAL RIGHTS RESERVED.AMP PRODUCTS MAY BE COVERED BY U.S. AND FOREIGN AND/OR PATENTS PENDING.		
					THIS DRAWING IS UNPUBLISHED RELEASED FOR PUBLICATION ,19		
					<b>AMP</b> AMP HOLLAND B.V. 's-Hertogenbosch, The Netherlands.		
B1	ECN-23-195825	WLS	VS	03FEV2023	NAME		
B	EH-1221-96	JvL	AB	24-10-96	PIN MATE-N-LOK.		
LTR.	REVISION RECORD	DR.	CHK.	DATE			
DR.:	J.v.LIEMPT	CHK.:	A.BIJNEN.	APP.:	M.v.DRIEL	DWG.No.	C-163558
DATE:	24 OCT 96	DATE:	-	DATE:	-	REV.LTR.	B1
						SHEET	1 OF 1
							A3