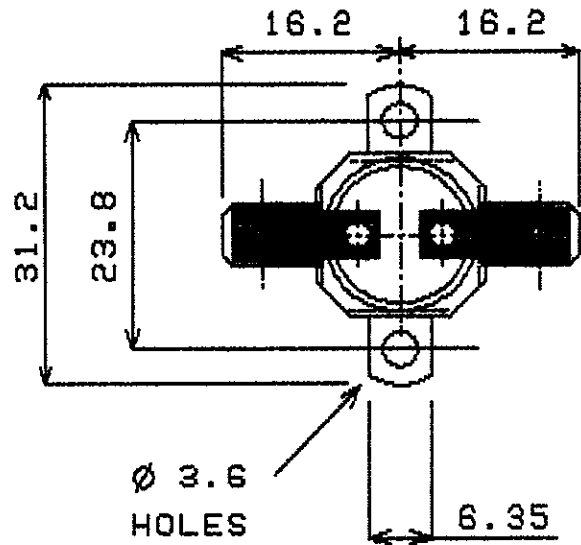


DO NOT SCALE ALL DIMENSIONS ARE FOR REFERENCE ONLY

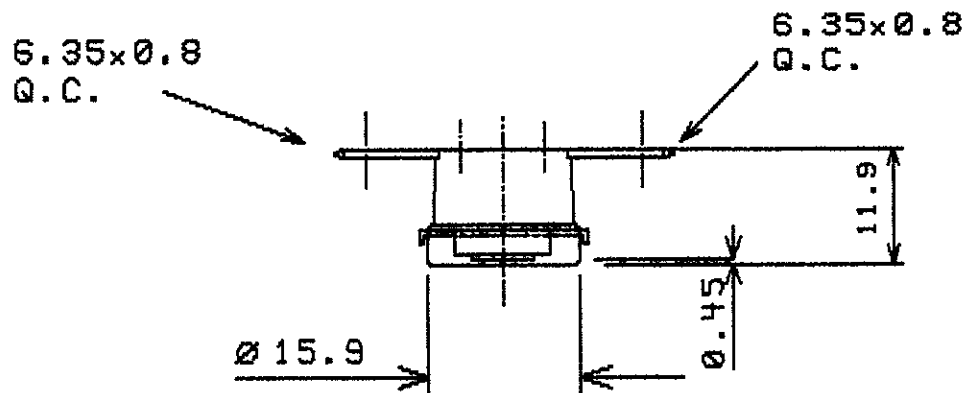
OPERATING CRITERIA



VOLTS: 240 AMPS: 10 HZ:

OPERATING TEMPS. DEG. C

OPEN: 90 ± 3
CLOSE: 75 ± 5



NOTE: ORIENTATION OF BRACKET IS NOT FIXED

ISSUE	A	B							
MOD No	2052	2250							
MTH/YR	3/97	7/98							

CODING REQUIREMENTS

COLOUR: LASER CODE
L90C RP 9100 437XXX

(XXX = DATE CODING)

CAP: B200 MAT'L: ALUMINIUM
BRK/T: B2036 MAT'L: STEEL
PLATING: NICKEL
.....
TERMINAL: T146 T146
MATERIAL: BRASS BRASS
PLATING:

ELMWOOD DEVICE & UNIQUE PART No.
2455RP-9100-437

ELMWOOD ORG No.
965205

ISSUE
B



ELMWOOD
SENSORS LTD

DATE OF ISSUE STAMP

7 JUL 1998