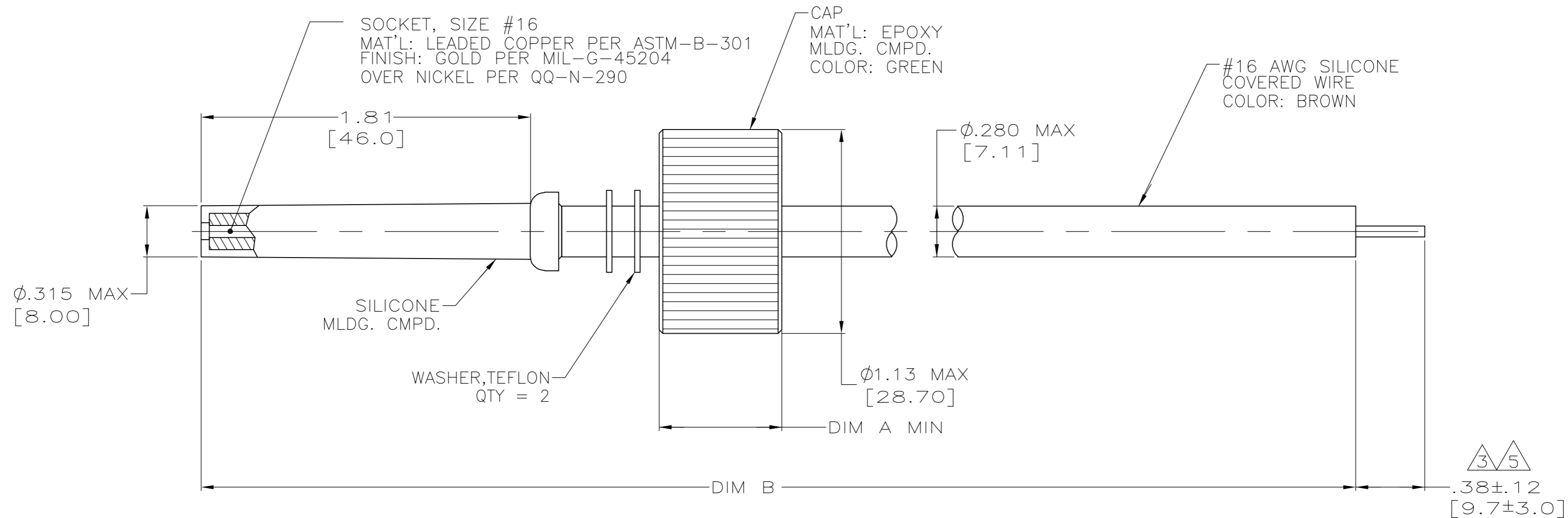


THIS DRAWING IS UNPUBLISHED. RELEASED FOR PUBLICATION  
 © COPYRIGHT BY TYCO ELECTRONICS CORPORATION. ALL RIGHTS RESERVED.

LOC	DIST	REVISIONS					
DF	S0	P	LTR	DESCRIPTION	DATE	DWN	APVD
		C		REV PER ECO 05-015021	27JAN06	BL	CT



1. MARKED PER MIL-STD-130.
  2. LEADS WILL MATE WITH AMP LGH-3 RECEPTACLE WITH 1.81 [46.0] BARREL DEPTH.
  3. PIGTAIL IS SOLDER DIPPED.
  4. OPERATING VOLTAGE: 40 KVDC AT 0 TO 70,000 FEET, -55° C TO 125° C.
5. INSULATION CUT, BUT NOT REMOVED.

5	60.00±1.00 [1524.0±25.4]	.67 [17.0]	5-868354-2
3	60.00±1.00 [1524.0±25.4]	.67 [17.0]	868354-2
3	18.00±.12 [457.2±3.0]	.55 [13.8]	868354-1
REMARKS	DIM B	DIM A MIN	PART NUMBER
THIS DRAWING IS A CONTROLLED DOCUMENT.			
DWN C.C.THOMAS 12-9-97		Tyco Electronics Corporation	
CHK D.EABY 12-12-97		Harrisburg, PA 17105-3608	
APVD -		NAME	
DIMENSIONS: INCHES		PRODUCT SPEC	
TOLERANCES UNLESS OTHERWISE SPECIFIED:		APPLICATION SPEC	
0 PLC ± -		-	
1 PLC ± -		-	
2 PLC ± .02 [0.5]		-	
3 PLC ± -		-	
4 PLC ± -		-	
ANGLES ± -		-	
FINISH		WEIGHT	
SEE CALLOUTS		-	
MATERIAL		SCALE	
SEE CALLOUTS		2:1	
CUSTOMER DRAWING		SHEET 1 of 1	
SIZE A2		REV C	
CAGE CODE 00779		DRAWING NO C=868354	
RESTRICTED TO		-	

868354