

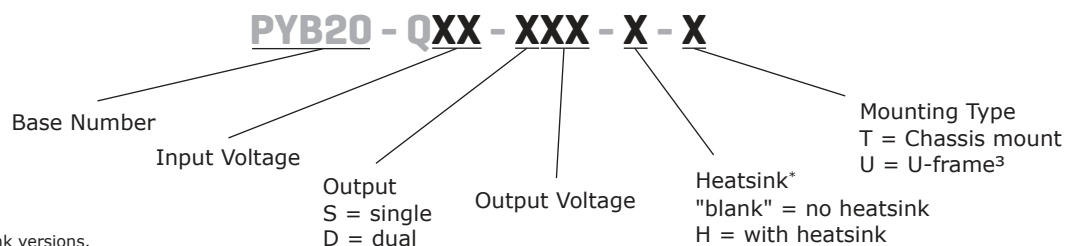
SERIES: PYB20-T & PYB20-U | DESCRIPTION: DC-DC CONVERTER
FEATURES

- up to 20 W isolated output
- industry standard pinout
- 4:1 input range (9~36 Vdc, 18~75 Vdc)
- smaller package
- single/dual regulated outputs
- 1,500 Vdc isolation
- continuous short circuit, over current protection, over voltage protection
- reverse polarity protection on chassis mount (-T) models
- temperature range (-40~85°C)
- six-sided metal shielding
- efficiency up to 90%
- EN/BS EN 62368-1



MODEL	input voltage		output voltage (Vdc)	output current		output power (W)	ripple and noise ¹ max (mVp-p)	efficiency ² typ (%)
	typ (Vdc)	range (Vdc)		min (mA)	max (mA)			
PYB20-Q24-S3 ^{3,5}	24	9~36	3.3	250	5000	16.5	100	86
PYB20-Q24-S5 ³	24	9~36	5	200	4000	20	100	90
PYB20-Q24-S12 ^{3,5}	24	9~36	12	84	1667	20	100	89
PYB20-Q24-S15 ^{3,5}	24	9~36	15	67	1333	20	100	90
PYB20-Q24-S24 ^{3,5}	24	9~36	24	42	834	20	100	90
PYB20-Q24-D5 ^{3,5}	24	9~36	±5	±100	±2000	20	100	86
PYB20-Q24-D12 ^{3,5}	24	9~36	±12	±42	±834	20	100	88
PYB20-Q24-D15 ^{3,5}	24	9~36	±15	±33	±667	20	100	88
PYB20-Q48-S3 ⁵	48	18~75	3.3	250	5000	16.5	100	86
PYB20-Q48-S5	48	18~75	5	200	4000	20	100	90
PYB20-Q48-S12 ⁵	48	18~75	12	84	1667	20	100	89
PYB20-Q48-S15 ⁵	48	18~75	15	67	1333	20	100	90
PYB20-Q48-S24 ⁵	48	18~75	24	42	834	20	100	90
PYB20-Q48-D5 ⁵	48	18~75	±5	±100	±2000	20	100	86
PYB20-Q48-D12 ⁵	48	18~75	±12	±42	±834	20	100	88
PYB20-Q48-D15 ⁵	48	18~75	±15	±33	±667	20	100	89

- Notes:
1. Ripple and noise are measured at 20 MHz BW by "parallel cable" method with 1 μ F ceramic and 10 μ F electrolytic capacitors on the output.
 2. Efficiency is approximately 2% lower for chassis mount (-T) models.
 3. Model is not CE certified.
 4. EN 62398-1 certification does not apply to U-frame models.
 5. Discontinued model - Chassis mount

PART NUMBER KEY


- Notes: *Discontinued heatsink versions.

INPUT

parameter	conditions/description	min	typ	max	units
operating input voltage	24 Vdc input models	9	24	36	Vdc
	48 Vdc input models	18	48	75	Vdc
start-up voltage	24 Vdc input models			9	Vdc
	48 Vdc input models			17.8	Vdc
under voltage shutdown ¹	24 Vdc input models	7.5			Vdc
	48 Vdc input models	16			Vdc
surge voltage	for maximum of 1 second				
	24 Vdc input models	-0.7		50	Vdc
	48 Vdc input models	-0.7		100	Vdc
start-up time	nominal input, constant load		10		ms
filter	pi filter				
CTRL ²	models ON (CTRL open or connect TTL high level, 2.5~12 Vdc)				
	models OFF (CTRL connect GND or low level, 0~1.2 Vdc)				
	input current (models OFF)		1		mA

Notes: 1. Contact CUI if you are planning to use this feature in your application.
2. CTRL pin voltage is referenced to GND.

OUTPUT

parameter	conditions/description	min	typ	max	units
line regulation	full load, input voltage from low to high		±0.2	±0.5	%
load regulation	5% to 100% load		±0.5	±1	%
cross regulation	dual output models: main output 50% load, secondary output from 10% to 100% load			±5	%
voltage accuracy			±1	±3	%
voltage balance ³	dual output, balanced loads		±0.5	±1	%
adjustability ⁴			±10		%
switching frequency	PWM mode		300		kHz
transient recovery time	25% load step change		300	500	µs
transient response deviation	25% load step change		±3	±5	%
temperature coefficient	100% load			±0.02	%/°C

Note: 3. For dual output models, unbalanced loads should not exceed ±5%. If ±5% is exceeded, it may not meet all specifications.
4. Output trimming available on single output models only.

PROTECTIONS

parameter	conditions/description	min	typ	max	units
short circuit protection	hiccup, continuous, automatic recovery				
over current protection			160		%
over voltage protection	3.3 Vdc output models		3.9		Vdc
	5 Vdc output models		6.2		Vdc
	12 Vdc output models		15		Vdc
	15 Vdc output models		18		Vdc
	24 Vdc output models		30		Vdc

SAFETY AND COMPLIANCE

parameter	conditions/description	min	typ	max	units
isolation voltage	for 1 minute at 1 mA max.	1,500			Vdc
isolation resistance	at 500 Vdc	1,000			MΩ

SAFETY AND COMPLIANCE (CONTINUED)

parameter	conditions/description	min	typ	max	units
safety approvals	certified to 62368-1: EN, BS EN				
conducted emissions	CISPR22/EN55022, class A, class B (external circuit required, see Figure 1-b)				
radiated emissions	CISPR22/EN55022, class A, class B (external circuit required, see Figure 1-b)				
ESD	IEC/EN61000-4-2, class B, contact \pm 4kV				
radiated immunity	IEC/EN61000-4-3, class A, 10V/m				
EFT/burst	IEC/EN61000-4-4, class B, \pm 2kV (external circuit required, see Figure 1-a)				
surge	IEC/EN61000-4-5, class B, \pm 2kV (external circuit required, see Figure 1-a)				
conducted immunity	IEC/EN61000-4-6, class A, 3 Vr.m.s				
voltage dips & interruptions	IEC/EN61000-4-29, class B, 0%-70%				
MTBF	as per MIL-HDBK-217F @ 25°C	1,000,000			hours
RoHS	2011/65/EU				

ENVIRONMENTAL

parameter	conditions/description	min	typ	max	units
operating temperature	see derating curves	-40		85	°C
storage temperature		-55		125	°C
storage humidity	non-condensing	5		95	%
case temperature	at full load, Ta=71°C			105	°C
vibration	10~55 Hz for 30 min. along X, Y and Z axis		10		G

MECHANICAL

parameter	conditions/description	min	typ	max	units
dimensions	chassis mount: 76 x 31.5 x 21.2				mm
	chassis mount with heatsink: 76 x 31.5 x 25.10				mm
	U-Frame: 52.32 x 54.99 x 19.05				mm
	U-Frame with heatsink: 52.32 x 54.99 x 22.90				mm
case material	aluminum alloy				
weight	chassis mount		50		g
	chassis mount with heatsink		58		g
	U-Frame		58		g
	U-Frame with heatsink		66		g

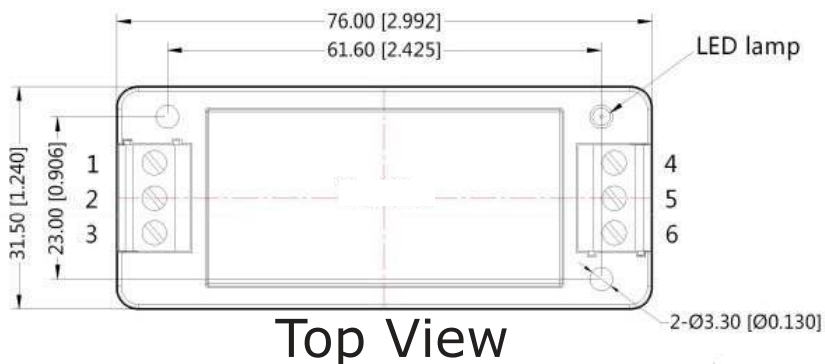
MECHANICAL DRAWING

CHASSIS MOUNT

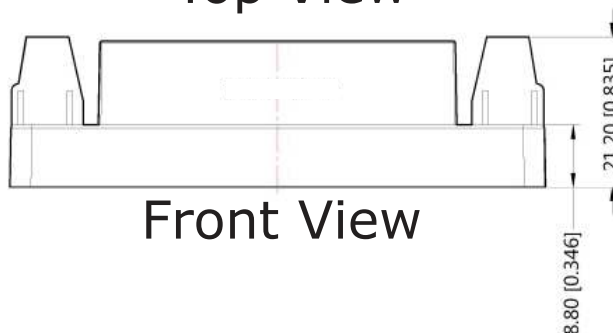
units: mm[inch]
tolerance: ±0.50[±0.02]

wire range: 24~12 AWG

PIN CONNECTIONS		
PIN	Single Output	Dual Output
1	CTRL	CTRL
2	GND	GND
3	Vin	Vin
4	0V	-Vo
5	Trim	0V
6	+Vo	+Vo



Top View



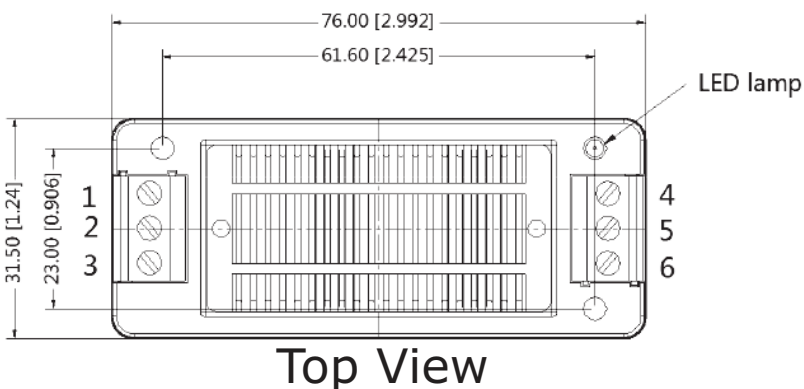
Front View

CHASSIS MOUNT WITH HEATSINK

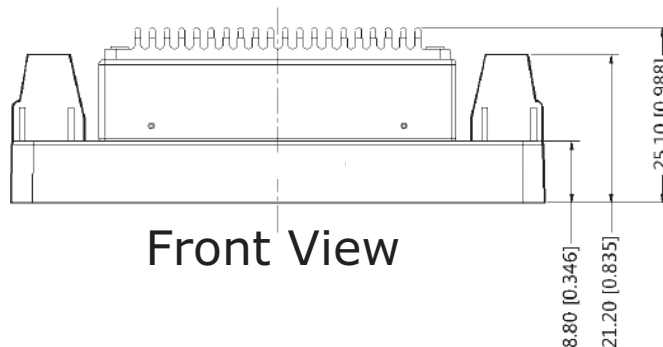
units: mm[inch]
tolerance: ±0.50[±0.02]

wire range: 24~12 AWG

PIN CONNECTIONS		
PIN	Single Output	Dual Output
1	CTRL	CTRL
2	GND	GND
3	Vin	Vin
4	0V	-Vo
5	Trim	0V
6	+Vo	+Vo



Top View



Front View

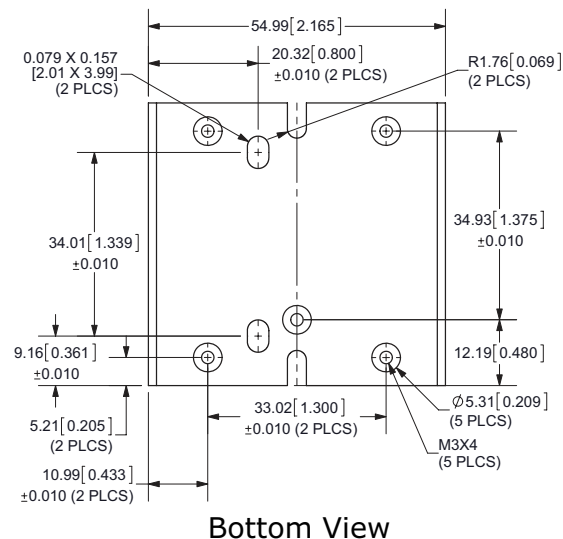
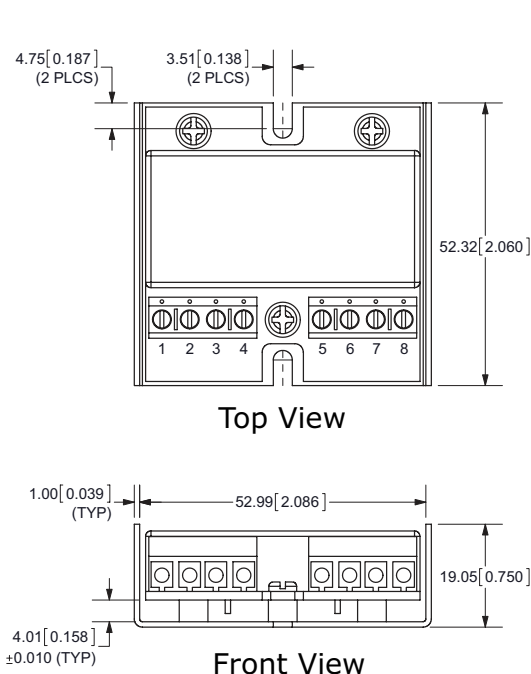
MECHANICAL DRAWING (CONTINUED)

U-FRAME

units: mm[inch]
tolerance: $\pm 0.50[\pm 0.02]$

wire range: 22~14 AWG
DIN-rail mounting kit available
(part# STK-DIN)

PIN CONNECTIONS		
PIN	Single Output	Dual Output
1	GND	GND
2	Vin	Vin
3	CTRL	CTRL
4	Case	Case
5	NC	NC
6	+Vo	+Vo
7	Trim	0V
8	0V	-Vo

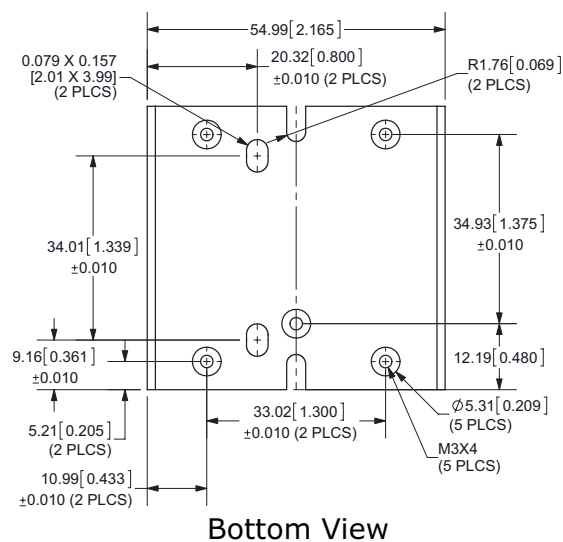
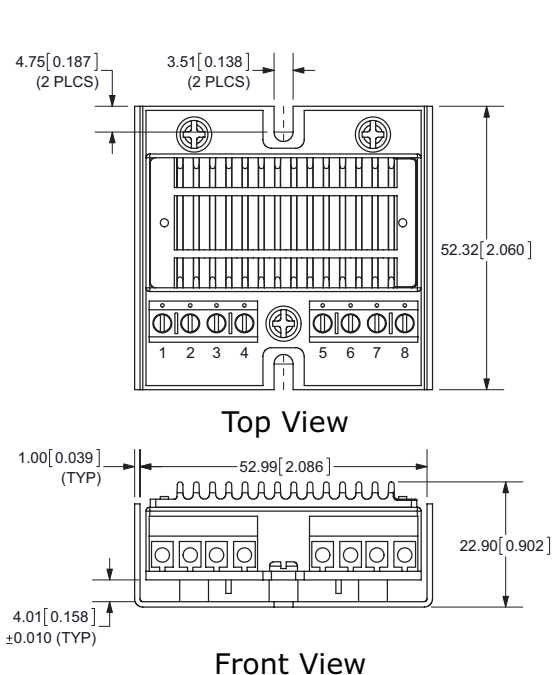


U-FRAME WITH HEATSINK

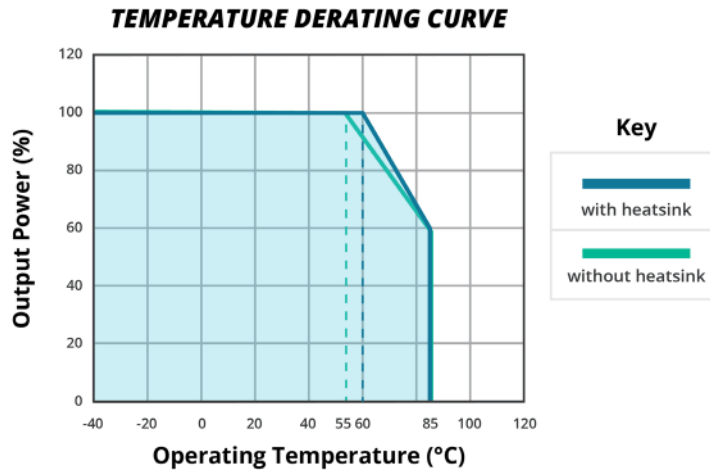
units: mm[inch]
tolerance: $\pm 0.50[\pm 0.02]$

wire range: 22~14 AWG
DIN-rail mounting kit available
(part# STK-DIN)

PIN CONNECTIONS		
PIN	Single Output	Dual Output
1	GND	GND
2	Vin	Vin
3	CTRL	CTRL
4	Case	Case
5	NC	NC
6	+Vo	+Vo
7	Trim	0V
8	0V	-Vo



DERATING CURVES



EMC RECOMMENDED CIRCUIT

Figure 1

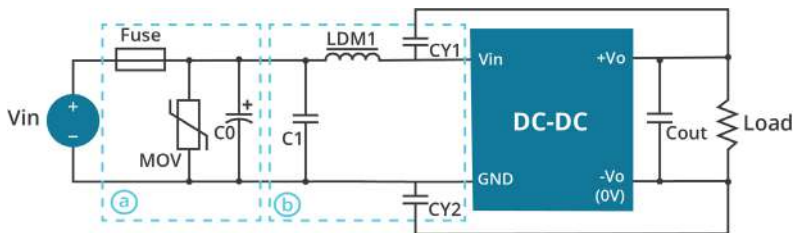


Table 1

Recommended external circuit components		
V_{in} (Vdc)	24	48
FUSE	Choose according to input current	
MOV	S14K35	S14K60
LDM1	4.7 μ H	4.7 μ H
C0	330 μ F/50V	330 μ F/100V
C1	1 μ F/50V	1 μ F/100V
CY1	1nF/2kV	1nF/2kV
CY2	1nF/2kV	1nF/2kV

Note: 1. See Table 2 for C_{out} values.

APPLICATION NOTES

1. Recommended circuit

This series has been tested according to the following recommended testing circuit before leaving the factory. This series should be tested under load (see Figure 2). If you want to further decrease the input/output ripple, you can increase the capacitance accordingly or choose capacitors with low ESR (see Table 2). However, the capacitance of the output filter capacitor must be appropriate. If the capacitance is too high, a startup problem might arise. For every channel of the output, to ensure safe and reliable operation, the maximum capacitance must be less than the maximum capacitive load (see Table 3).

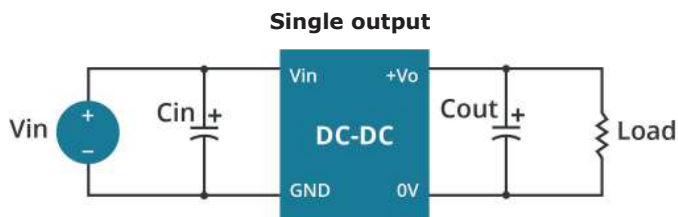


Figure 2

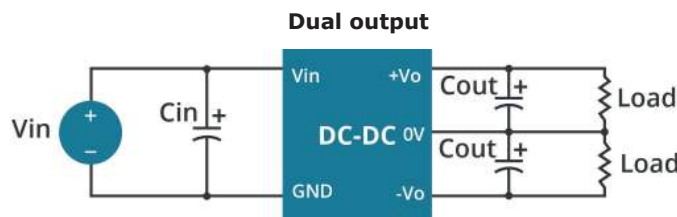


Table 2

Single Vout (Vdc)	Cin (μF)	Cout (μF)	Dual Vout (Vdc)	Cin (μF)	Cout ¹ (μF)
3.3	100	470	--	--	--
5	100	470	±5	100	220
12	100	220	±12	100	100
15	100	220	±15	100	100
24	100	100	--	--	--

Note: 1. For each output.

Table 3

Single Vout (Vdc)	Max. Capacitive Load (μF)	Dual Vout (Vdc)	Max. Capacitive Load ¹ (μF)
3.3	10200	--	--
5	4020	5	4800
12	1035	12	800
15	705	15	500
24	470	--	--

Note: 1. For each output.

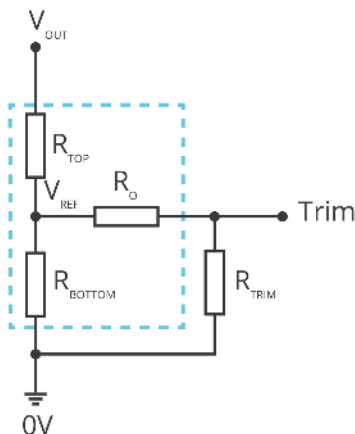
APPLICATION NOTES (CONTINUED)

Output voltage trimming

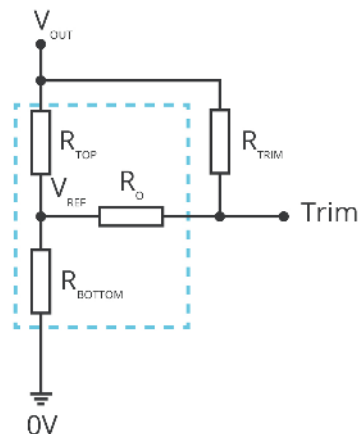
Leave open if not used.

Figure 3

Trim up



Trim down



$$R_{TRIM} = \frac{a \cdot R_{BOTTOM}}{R_{BOTTOM} - a} - R_O \quad a = \frac{V_{REF}}{V_{OUT} - V_{REF}} \cdot R_{TOP}$$

Formula for Trim up

$$R_{TRIM} = \frac{a \cdot R_{TOP}}{R_{TOP} - a} - R_O \quad a = \frac{V_{OUT} - V_{REF}}{V_{REF}} \cdot R_{BOTTOM}$$

Formula for Trim down

Table 4

V _{OUT}	R _{TOP}	R _{BOTTOM}	R _O	V _{REF}
(Vdc)	(kΩ)	(kΩ)	(kΩ)	(V)
3.3	4.801	2.863	15	1.24
5	2.883	2.864	10	2.5
12	10.971	2.864	17.8	2.5
15	14.497	2.864	17.8	2.5
24	24.872	2.863	20	2.5

Note: Value for R_{TOP}, R_{BOTTOM}, R_O, and V_{REF} refer to Table 3 (fixed internal values).

R_{TRIM}: Trim resistance

a: User-defined parameter, no actual meanings

V_{OUT}: Nominal output voltage

Note: 1. Minimum load shouldn't be less than 5%, otherwise ripple may increase dramatically. Operation under minimum load will not damage the converter, however, they may not meet all specifications listed.
 2. Maximum capacitive load is tested at input voltage range and full load.
 3. All specifications are measured at Ta=25°C, humidity<75%, nominal input voltage and rated output load unless otherwise specified.

REVISION HISTORY

rev.	description	date
1.0	initial release	06/26/2013
1.01	updated spec	08/16/2013
1.02	updated spec	08/18/2014
1.03	updated spec	06/16/2015
1.04	discontinued heat sink versions	06/21/2019
1.05	safeties added to features and safety approvals line	02/15/2021
1.06	derating curve and circuit figures updated	08/23/2021
1.07	CE certification updated for 24V models	11/28/2022
1.08	discontinued models PYB20-Q24-S3-T, PYB20-Q24-S12-T, PYB20-Q24-S15-T, PYB20-Q24-S24-T, PYB20-Q24-D5-T, PYB20-Q24-D12-T, PYB20-Q24-D15-T, PYB20-Q48-S3-T, PYB20-Q48-S12-T, PYB20-Q48-S15-T, PYB20-Q48-S24-T, PYB20-Q48-D5-T, PYB20-Q48-D12-T & PYB20-Q48-D15-T	04/11/2023

The revision history provided is for informational purposes only and is believed to be accurate.



CUI INC

a bel group

Headquarters
20050 SW 112th Ave.
Tualatin, OR 97062
800.275.4899

Fax 503.612.2383
cui.com
techsupport@cui.com

CUI offers a two (2) year limited warranty. Complete warranty information is listed on our website.

CUI reserves the right to make changes to the product at any time without notice. Information provided by CUI is believed to be accurate and reliable. However, no responsibility is assumed by CUI for its use, nor for any infringements of patents or other rights of third parties which may result from its use.

CUI products are not authorized or warranted for use as critical components in equipment that requires an extremely high level of reliability. A critical component is any component of a life support device or system whose failure to perform can be reasonably expected to cause the failure of the life support device or system, or to affect its safety or effectiveness.