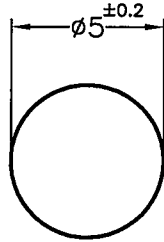
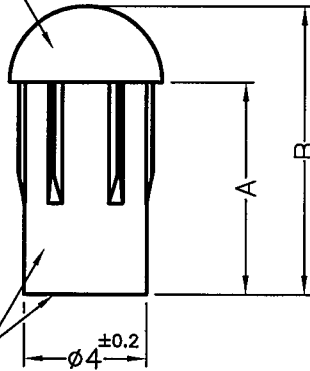


DIM.	TOL.
L≤10	±0.2
10<L≤30	±0.3
30<L≤50	±0.5
50<L≤100	±0.7
100<L≤250	±1.2
ABOVE 250	±1.5



FOG FACE TEXTURE  
圓球面做霧面處理



POLISHED TEXTURE  
亮面處理

MOUNTING HOLE  $\phi 4.2$

PART NO.	A	B
LEM-53-7	7	9.5
LEM-53-19	19	21.5

NOTE:MADE OF EQUIVALENT MATERIAL.  
可使用同等材質.



康揚企業股份有限公司  
KANG YANG HARDWARE ENTERPRISE CO., LTD.  
康揚塑膠(東莞)有限公司  
KANG YANG PLASTIC(DONG GUAN)CO.,LTD.  
康哲電腦配件(吳江)有限公司  
KANG CHE COMPUTER COMPONENTS(WUJIANG)CO.,LTD.

PROPRIETARY AND CONFIDENTIAL THE INFORMATION CONTAINED IN THIS DRAWING IS THE SOLE PROPERTY OF KANG YANG HARDWARE ENTERPRISE CO. ANY REPRODUCTION IN PART OR AS A WHOLE WITHOUT THE WRITTEN PERMISSION OF KANG YANG HARDWARE ENTERPRISE CO. IS PROHIBITED.  DO NOT SCALE DRAWING	DATE	2015.06.17	TITLE	LED LIGHT PIPE	DWG. NO.	LEM-53-H	PART NO.	SEE ABOVE
	DRAWN	LUKE	MATERIAL	PC UL94V-2	SIZE	A4	SPEC. DWG.	REV
	CHECKED		COLOR	TRANSPARENT	FINISH			A
	APPROVED		UNLESS OTHERWISE SPECIFIED TOLERANCE:	SEE ABOVE	SCALE:	4:1	UNIT	mm